

Parts



Ultra 395/495/595™

Ultra Max II 490/495/595™

309675U

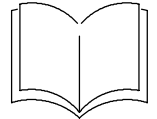
EN

3300 psi (228 bar, 22.8 MPa) Maximum Working Pressure

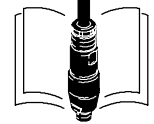
120 VAC

Type	Stand	Series	Lo-boy	Series	Hi-boy	Series
Ultra 395™	233960	B	233961	B	233962	B
Ultra 495™	233966	A	233967	A	233968	A
Ultra 595™			234490	A	234435	A
Ultra Max II 490™	249911	C	249913	C	249914	C
Ultra Max II 495™	249915	C	249916	C	249917	C
Ultra Max II 595™			249918	B	249919	B

Related manuals



..... 309365
..... 309665



..... 309250



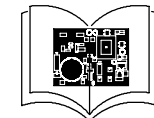
..... 311861



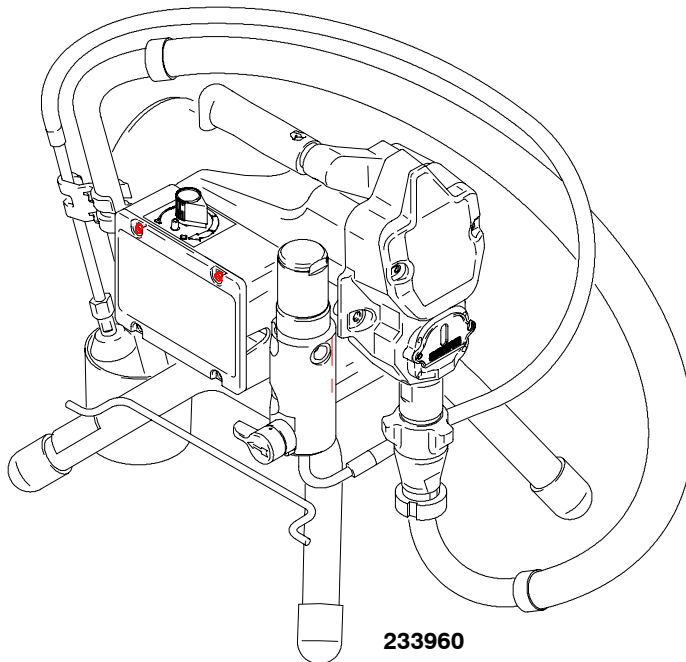
..... 309640



..... 309674



..... 309709

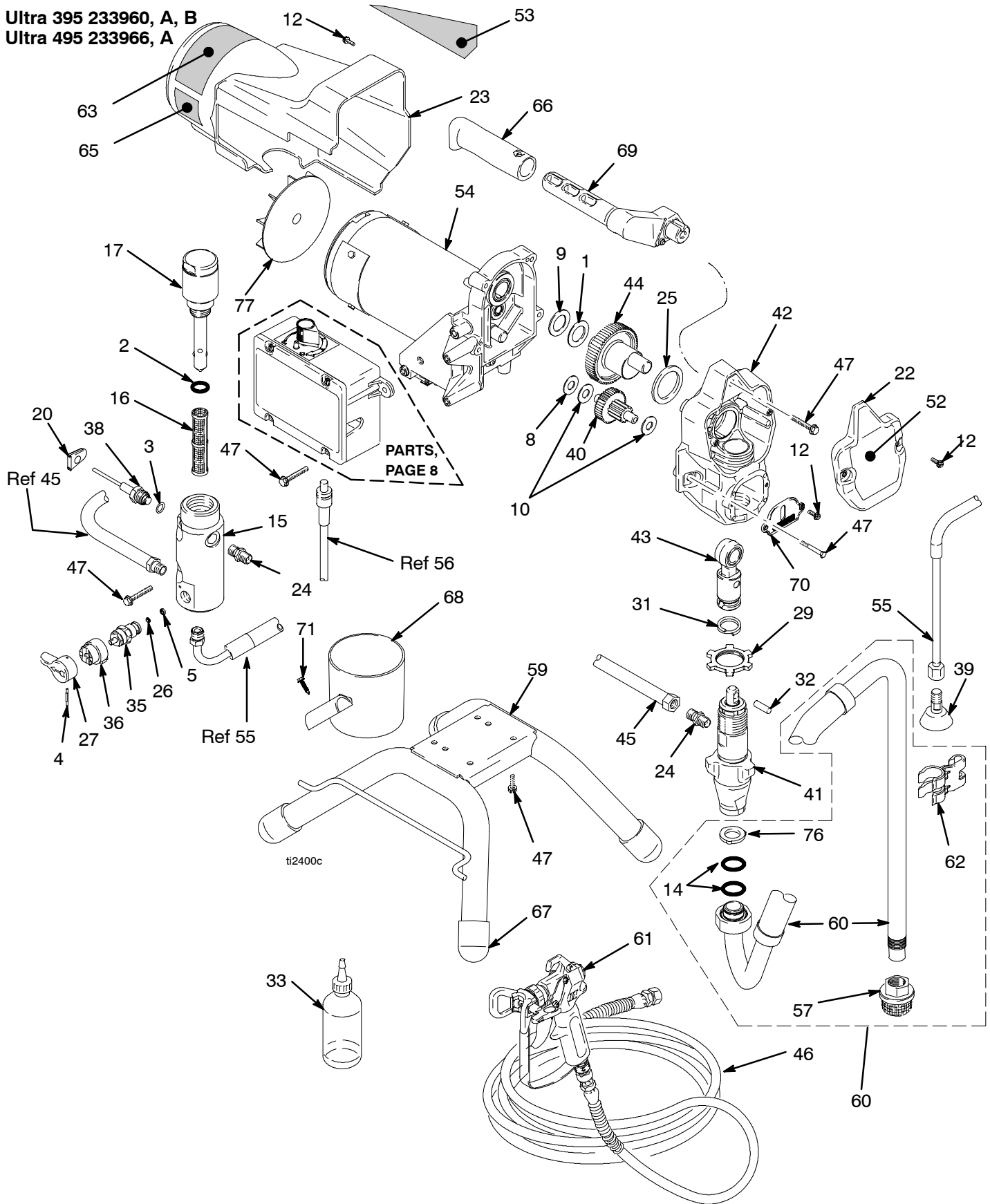


ti2399

PROVEN QUALITY. LEADING TECHNOLOGY.

Parts Drawing - Ultra Stand Sprayers

Ultra 395 233960, A, B
Ultra 495 233966, A



Parts List - Ultra Stand Sprayers

Ultra 395: 233960, A, B

Ultra 495: 233966, A

Ref.	Part	Description	Qty.	Ref.	Part	Description	Qty.
1	107434	BEARING, thrust	1	44	287054	GEAR, crankshaft includes 1, 9, 25	1
2	117828	PACKING, o-ring	1	45	287003	HOSE, cpld	1
3	111457	PACKING, o-ring	1	46	240794	HOSE, cpld, 1/4 in. x 50 ft	1
4	111600	PIN, grooved	1	47	117493	SCREW, mach, hex washer hd	11
5	111699	GASKET, seat, valve	1	52		LABEL, front, Graco	
8	116073	WASHER, thrust	1		15K395	Ultra 395	1
9	116074	WASHER, thrust	1		15B255	Ultra 495	1
10	116079	BEARING, thrust	2	53		LABEL, side, Graco	1
12	117501	SCREW, mach, hex washer hd	6		15K392	Ultra 395	1
14	117559	O-RING	2		15B495	Ultra 495	1
15	15G455	MANIFOLD, fluid	1	54		MOTOR, 110V	
16	246384†	FILTER, fluid, 60 mesh	1		287015*	Ultra 395/495 includes 77	1
17	287167	CAP, manifold (Model 233966)	1	55	246381	HOSE, drain, stand includes 39, 62	1
	287902	CAP, manifold (Model 233960)	1	57	246385	STRAINER, 7/8-14 unf	1
20	15B120	GROMMET, transducer	1	59	15E823	FRAME, standmount	1
22	287058	COVER, front, Graco, paint	1	60	246386	KIT, hose suction includes 14, 57, 62, 76	1
23	287056	SHIELD, motor, painted	1	61	288420	GUN, Contractor (includes manuals 311861, 312099, 312098)	1
24	162453	NIPPLE, (1/4 npsm x 1/4 npt)	2	62	276888	CLIP, drain line	1
25	180131	BEARING, thrust	1	63	15B516▲	LABEL, danger	1
26	15E022	SEAT, valve	1	65	195833▲	LABEL, warning	1
27	187625	HANDLE, valve, drain	1	66	116139	GRIP, handle	1
29	195150	NUT, jam, pump	1	67	15G857	CAP, leg	4
31	196750	SPRING, retaining	1	68	287903	CUP, suction/drain	1
32	196762	PIN, straight	1	69	287072	HANDLE, sprayer includes 47, 66	1
33	206994	FLUID, TSL	1	70	15B589	COVER, pump rod	1
35	235014	VALVE, drain includes 5, 26	1	71	122667	SCREW, drill, hex washer head	1
36	224807	BASE, valve	1	76	115099	WASHER, hose	1
38	243222	TRANSDUCER, pressure control includes 3	1	77	248189	FAN, motor	1
39	241920	DEFLECTOR, threaded	1				
40	244242	GEAR, reducer includes 8, 10	1				
41	246428	PUMP, displacement includes 32	1				
42	287055	HOUSING, drive includes 12, 70	1				
43	287053	ROD, connecting includes 31, 32	1				

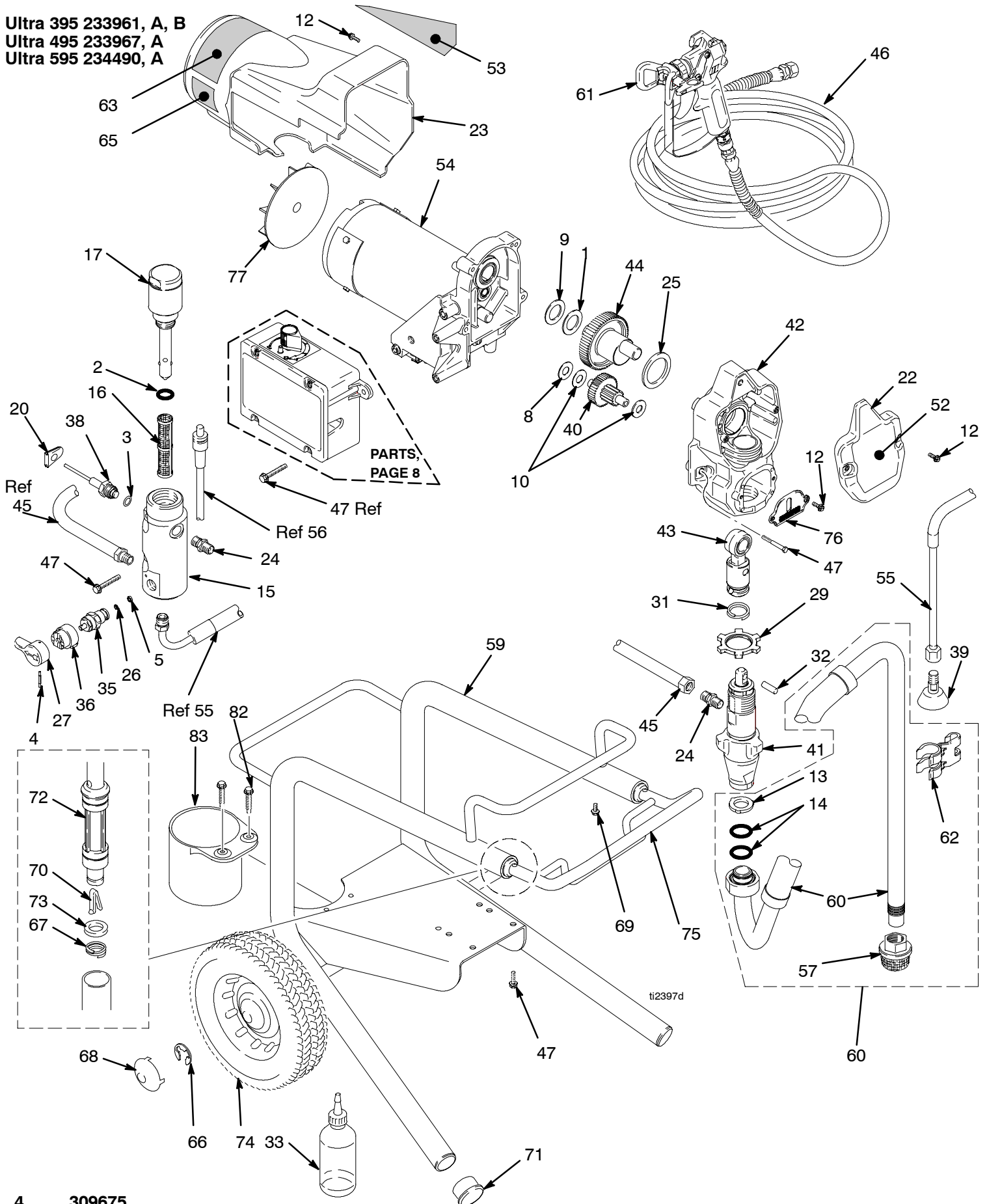
▲Extra Danger and Warning tags and labels available free.

* Motor Brush Kit 287735 is available.

† Other filters available: 246382, 100 mesh; 246383, 200 mesh; 246425, 30 mesh

Parts Drawing - Ultra Lo-Boy Sprayers

Ultra 395 233961, A, B
 Ultra 495 233967, A
 Ultra 595 234490, A



Parts List - Ultra Lo-Boy Sprayers

Ultra 395: 233961, A, B

Ultra 495: 233967, A

Ultra 595: 234490, A

Ref.	Part	Description	Qty.	Ref.	Part	Description	Qty.
1	107434	BEARING, thrust	1	52		LABEL, front, Graco	
2	117828	PACKING, o-ring	1		15K395	Ultra 395	1
3	111457	PACKING, o-ring	1		15B255	Ultra 495	1
4	111600	PIN, grooved	1		15D161	Ultra 595	1
5	111699	GASKET, seat, valve	1	53		LABEL, side, Graco	
8	116073	WASHER, thrust	1		15K392	Ultra 395	1
9	116074	WASHER, thrust	1		15B495	Ultra 495	1
10	116079	BEARING, thrust	2		15D165	Ultra 595	1
12	117501	SCREW, mach, hex washer hd	6	54		MOTOR, 110V	
13	115099	WASHER, hose	1			includes 77	
14	117559	O-RING	2		287015*	Ultra 395/495	1
15	15G455	MANIFOLD, fluid	1		248184*	Ultra 595	1
16	246384†	FILTER, fluid, 60 mesh	1	55	246381	HOSE, drain, stand	1
17	287167	CAP, manifold	1			includes 39, 62	
20	15B120	GROMMET, transducer	1	57	246385	STRAINER, 7/8-14 unf	1
22	287058	COVER, front, Graco, paint	1	59	246250	FRAME, cart, LO	1
		includes 12		60	246386	KIT, hose suction	1
23	287056	SHIELD, motor, painted	1			includes 13, 14, 57, 62	
		includes 12, 63, 65		61	288420	GUN, Contractor (includes manuals	1
24	162453	NIPPLE, (1/4 npsm x 1/4 npt)	2			311861, 312099, 312098)	
25	180131	BEARING, thrust	1	62	276888	CLIP, drain line	1
26	15E022	SEAT, valve	1	63▲	15B516	LABEL, danger	1
27	187625	HANDLE, valve, drain	1	65▲	195833	LABEL, warning	1
29	195150	NUT, jam, pump	1	66	15B999	CLIP, retaining	2
31	196750	SPRING, retaining	1	67	103117	RING, retaining	2
32	196762	PIN, straight	1	68	104811	CAP, hub	2
33	206994	FLUID, TSL	1	69	109032	SCREW, pan hd	4
35	235014	VALVE, drain	1	70	178565	BUTTON, snap	2
		includes 5, 26		71	107310	PLUG, tubing	2
36	224807	BASE, valve	1	72	195501	SLEEVE, cart	2
38	243222	TRANSDUCER, pressure control	1	73	195673	WASHER	2
		includes 3		74	195766	WHEEL, semi pneumatic	2
39	241920	DEFLECTOR, threaded	1	75	243205	HANDLE, assembly	1
40	244242	GEAR, reducer	1	76	15B589	COVER, pump rod	1
		includes 8, 10		77	248189	FAN, motor	1
41	246428	PUMP, displacement	1	82	122667	SCREW, drill	2
42	287055	HOUSING, drive	1	83	15B870	CUP, suction/drain	1
		includes 12, 47, 76					
43	287053	ROD, connecting	1				
		includes 31, 32					
44		GEAR, crankshaft					
		includes 1, 9, 25					
	287054	Ultra 395/495	1				
	248231	Ultra 595	1				
45	287003	HOSE, cpld	1				
46	240794	HOSE, cpld, 1/4 in. x 50 ft	1				
47	117493	SCREW, mach, hex washer hd	10				

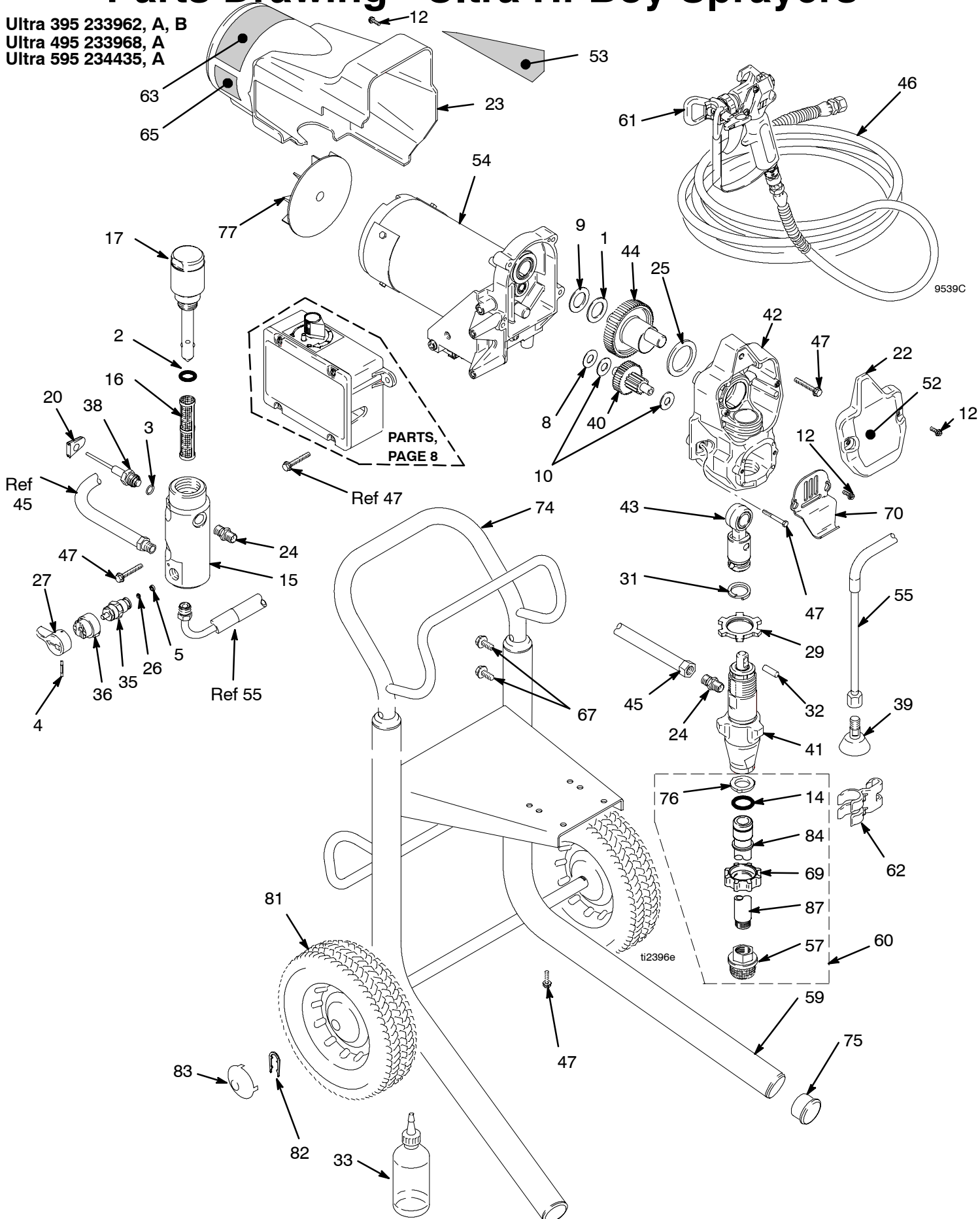
▲Extra Danger and Warning tags and labels available free.

* Motor Brush Kit 287735 is available.

† Other filters available: 246382, 100 mesh; 246383, 200 mesh; 246425, 30 mesh

Parts Drawing - Ultra Hi-Boy Sprayers

Ultra 395 233962, A, B
Ultra 495 233968, A
Ultra 595 234435, A



Parts List - Ultra Hi-Boy Sprayers

Ultra 395: 233962, A, B

Ultra 495: 233968, A

Ultra 595: 234435, A

Ref.	Part	Description	Qty.	Ref.	Part	Description	Qty.
1	107434	BEARING, thrust	1	45	287003	HOSE, cpld	1
2	117828	PACKING, o-ring	1	46	240794	HOSE, cpld, 1/4 in. x 50 ft	1
3	111457	PACKING, o-ring	1	47	117493	SCREW, mach, hex washer hd	10
4	111600	PIN, grooved	1	52		LABEL, front, Graco	
5	111699	GASKET, seat, valve	1		15K395	Ultra 395	1
8	116073	WASHER, thrust	1		15B255	Ultra 495	1
9	116074	WASHER, thrust	1		15D161	Ultra 595	1
10	116079	BEARING, thrust	2	53		LABEL, side, Graco	1
12	117501	SCREW, mach, hex washer hd	6		15K392	Ultra 395	1
14	103413	O-RING	1		15B495	Ultra 495	1
15	15G455	MANIFOLD, fluid	1		15D165	Ultra 595	1
16	246384†	FILTER, fluid, 60 mesh	1	54		MOTOR, 110V	
17	287167	CAP, manifold	1			includes 77	
20	15B120	GROMMET, transducer	1		287015*	Ultra 395/495	1
22	287058	COVER, front, Graco, paint	1		248184*	Ultra 595	1
		includes 12		55	244240	HOSE, drain	1
23	287056	SHIELD, motor, painted	1			includes 39	
		includes 12, 63, 65		57	246385	STRAINER, 7/8-14 unf	1
24	162453	NIPPLE, (1/4 npsm x 1/4 npt)	2	59	245984	FRAME, cart, HI	1
25	180131	BEARING, thrust	1	60	246387	KIT, stinger tube	1
26	15E022	SEAT, valve	1			includes 14, 57, 69, 76, 84, 87	
27	187625	HANDLE, valve, drain	1	61	288420	GUN, Contractor II (includes manuals	
29	195150	NUT, jam, pump	1			311861, 312099, 312098)	1
31	196750	SPRING, retaining	1	62	276888	CLIP, drain line	1
32	196762	PIN, straight	1	63▲	15B516	LABEL, danger	1
33	206994	FLUID, TSL	1	65▲	195833	LABEL, warning	1
35	235014	VALVE, drain	1	67	109032	SCREW, pan hd	4
		includes 5, 26		69	15E813	NUT, jam	1
36	224807	BASE, valve	1	70	15C146	HOOK, pail	1
38	243222	TRANSDUCER, pressure control	1	74	287489	HANDLE	1
		includes 3		75	108691	PLUG, tubing	2
39	241920	DEFLECTOR, threaded	1	76	115099	WASHER, hose	1
40	244242	GEAR, reducer	1	77	248189	FAN, motor	1
		includes 8, 10		81	106062	WHEEL	2
41	246428	PUMP, displacement	1	82	15B999	CLIP, retaining	2
42	287055	HOUSING, drive	1	83	104811	CAP, hub	2
		includes 12, 47		84	15B652	WASHER, suction	1
43	287053	ROD, connecting	1	87	15B506	TUBE, suction	1
		includes 31, 32					
44		GEAR, crankshaft	1				
		includes 1, 9, 25					
	287054	Ultra 395/495	1				
	248231	Ultra 595	1				

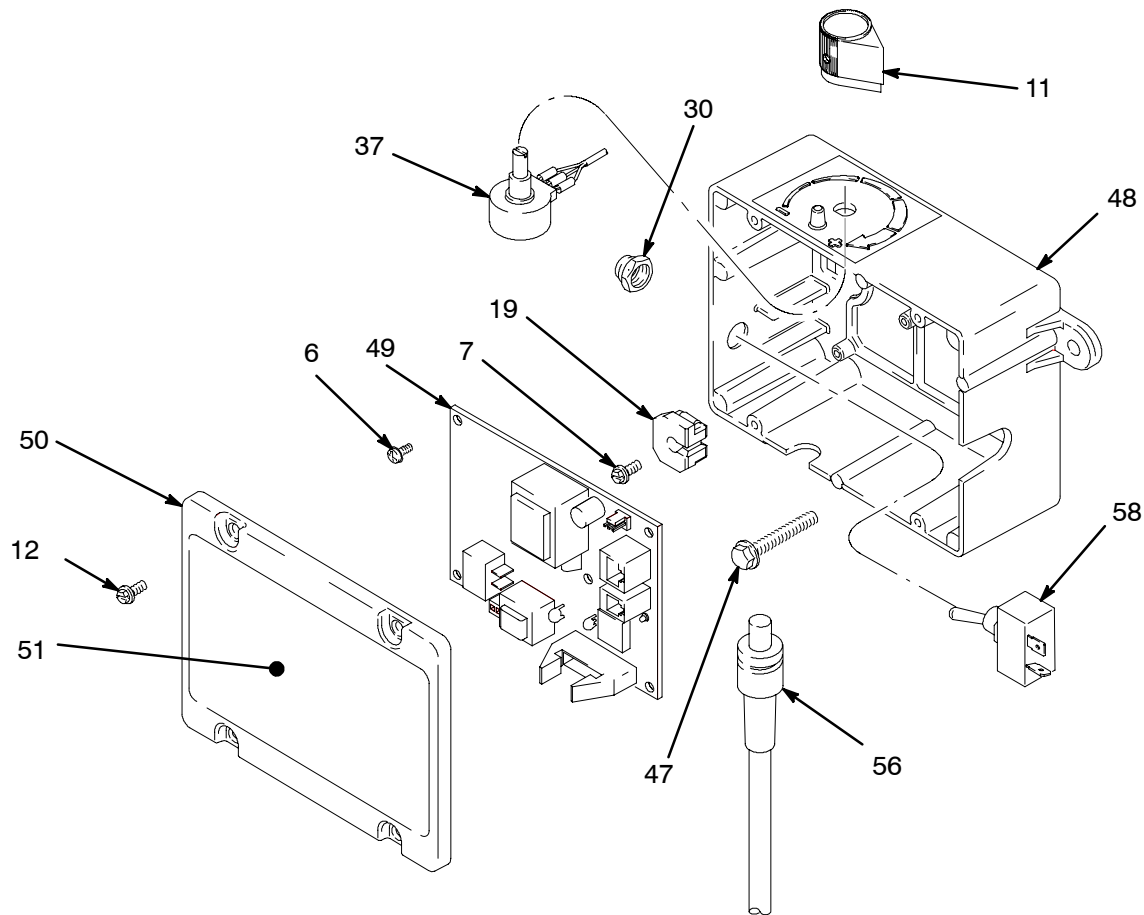
▲Extra Danger and Warning tags and labels available free.

* Motor Brush Kit 287735 is available .

† Other filters available: 246382, 100 mesh; 246383, 200 mesh; 246425, 30 mesh

Parts Drawing - Control Box and Board Ultra

Ultra 395/495/595



9537b

Parts List - Control Box and Board Ultra

Ultra 395/495/595

Ref.	Part	Description	Qty.	Ref.	Part	Description	Qty.
6	115494	SCREW, mach, phillips, pan hd	6	49		CONTROL, board, 110V	1
7	115498	SCREW, mch, slot/hex, wash hd	1	246379		Ultra 395/495	1
11	116167	KNOB, potentiometer	1	248179		Ultra 595	1
12	117501	SCREW, mach, hex washer hd	4	50	276882	COVER, control	1
19	15B118	BUSHING, motor wire	1	51	15K393	LABEL, control, Graco	1
30	195428	BOOT, toggle	1	56		CORD, power	1
37	256219	POTENTIOMETER, assembly	1	15J743		Ultra 395/495, Stand	1
47	117493	SCREW, mach, hex washer hd	2	15D029		Ultra 595, Lo-boy and Hi-boy	1
48		BOX, control		58	195429	SWITCH, toggle	1
	276868	Ultra 395/495	1				
	15D313	Ultra 595	1				

Wiring Diagram - Ultra

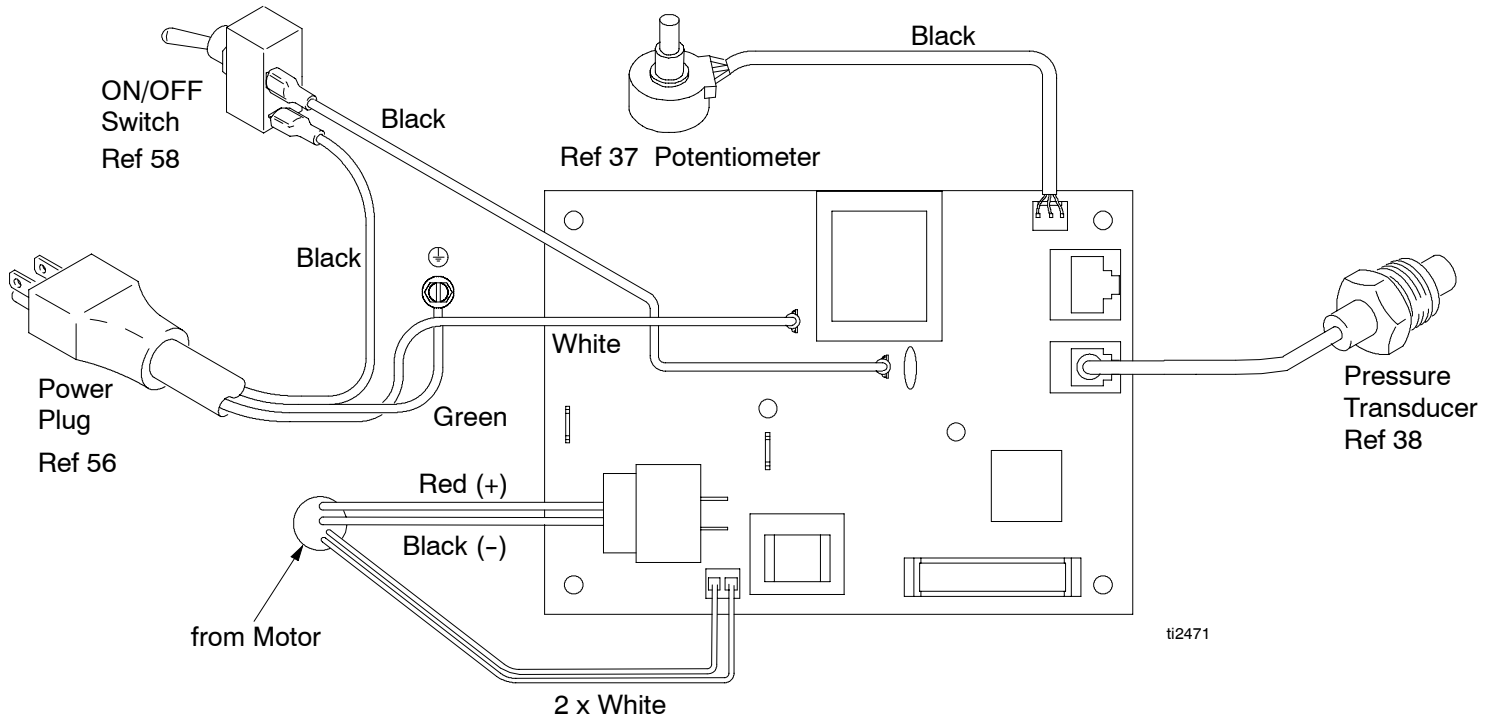
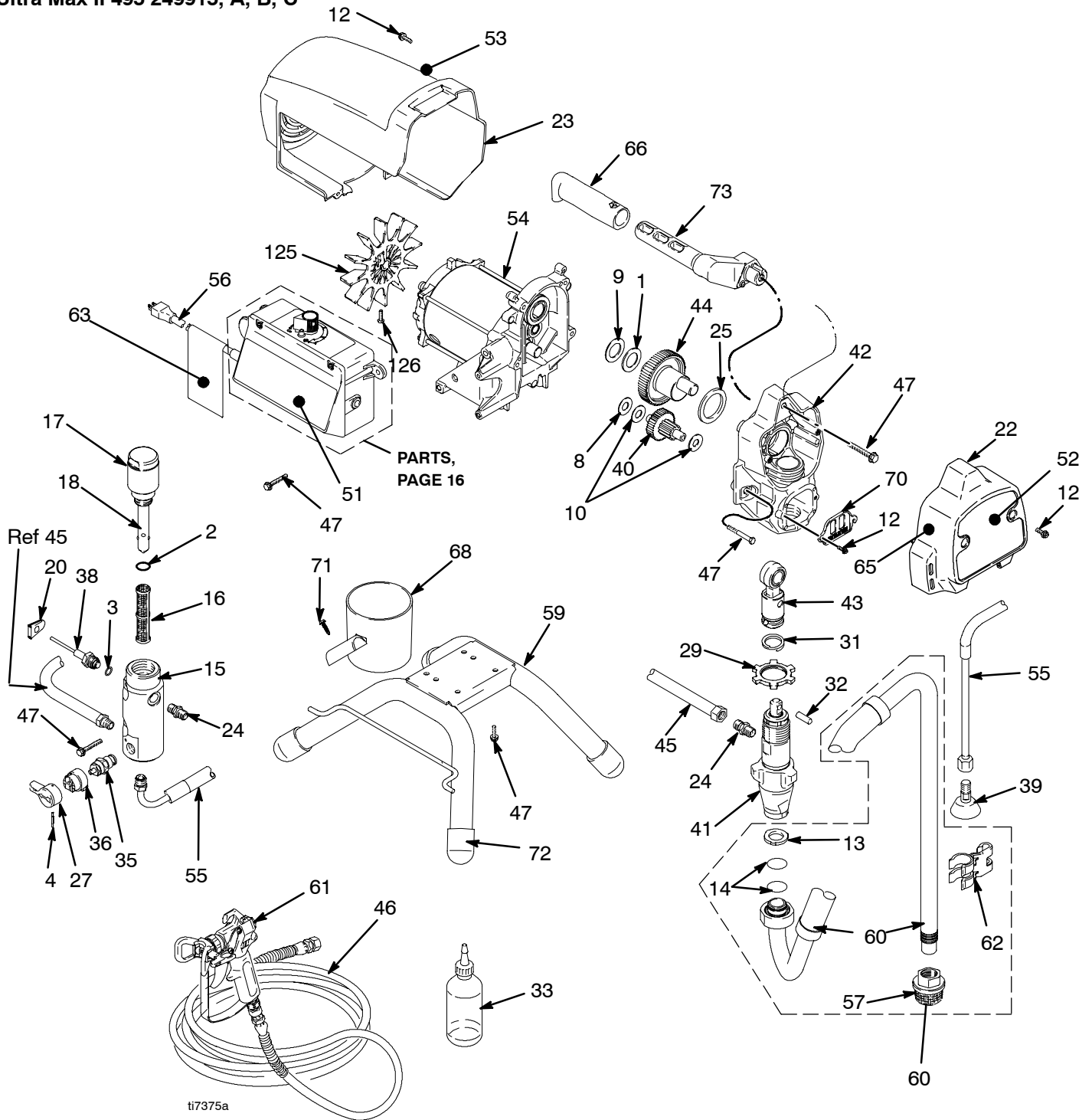


Fig. 1

Parts Drawing - Ultra Max II Stand Sprayers

Ultra Max II 490 249911, A, B, C

Ultra Max II 495 249915, A, B, C



Parts List - Ultra Max II Stand Sprayers

Ultra Max II 490: 249911, A, B, C

Ultra Max II 495: 249915, A, B, C

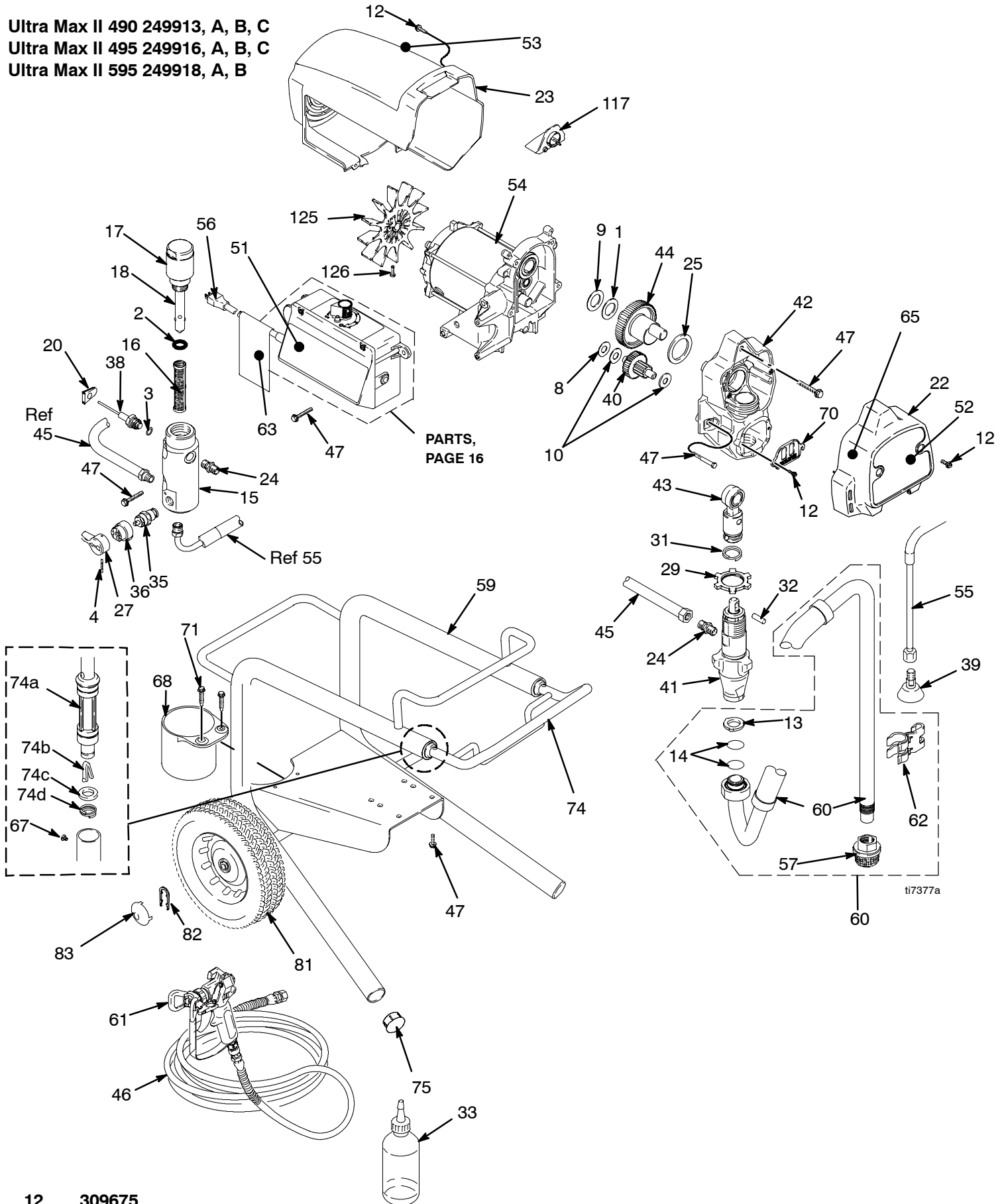
Ref.	Part	Description	Qty.	Ref.	Part	Description	Qty.
1	107434	BEARING, thrust	1	45	287003	HOSE, cpld	1
2	117828	PACKING, o-ring	1	46	240794	HOSE, cpld, 1/4 in. x 50 ft	1
3	111457	PACKING, o-ring	1	47	117493	SCREW, mach, hex washer hd	13
4	111600	PIN, grooved	1	51	15K383	LABEL, Ultra Max II Smart Control	1
8	116073	WASHER, thrust	1	52		LABEL, front, Graco	
9	116074	WASHER, thrust	1		15K372	490	1
10	116079	BEARING, thrust	2		15K371	495	1
12	117501	SCREW, mach, hex washer hd	8	53		LABEL, side, Graco	1
13	115099	WASHER, hose	1		15K376	490	1
14	117559	O-RING	2		15K377	495	1
15	15G455	MANIFOLD, fluid	1	54		MOTOR KIT, 110V (includes 125, 126)	
16	246384†	FILTER, fluid, 60 mesh	1		24R703	490/495, Series A and B	1
17	287902	KIT, repair, filter cap, includes 18	1			(includes and control box - not shown)	
18		INSERT, filter	1		24S022	490/495, Series C	1
20	15B120	GROMMET, transducer	1	55	246381	HOSE, drain, stand	1
22	287901	COVER, front, Graco, paint	1			includes 39, 62	
		includes 12, 65		56	253366	CORD, power, 490/495 Stand	1
23	287900	SHIELD, motor, painted, includes 12	1	57	246385	STRAINER, 7/8-14 unf	1
24	162453	NIPPLE, (1/4 npsm x 1/4 npt)	2	59	15E823	FRAME, standmount	1
25	180131	BEARING, thrust	1	60	246386	KIT, hose suction	1
27	187625	HANDLE, valve, drain	1			includes 13, 14, 57, 62	
29	195150	NUT, jam, pump	1	61	288420	GUN, includes	1
31	196750	SPRING, retaining	1			Manuals 311861, 312099, 311098	
32	196762	PIN, straight	1	62	276888	CLIP, drain line	1
33	206994	FLUID, TSL	1	63▲	15H085	LABEL, danger	1
34▲	222385	TAG Warning (not shown)	1	65▲	195793	LABEL, warning	1
35	239914	VALVE, drain	1	66	116139	GRIP, handle	1
36	224807	BASE, valve	1	68	287903	CUP, suction/drain	1
38	243222	TRANSDUCER, pressure control	1	70	15B589	COVER, pump rod	1
		includes 3		71	122667	SCREW, drill, hex washer head	1
39	241920	DEFLECTOR, threaded	1	72	15G857	CAP, leg	4
40	244242	GEAR, reducer	1	73	287072	HANDLE, sprayer	1
		includes 8, 10				includes 47, 66	
41	246428	PUMP, displacement	1	125	15D088	FAN, motor	1
		includes 32		126	115477	SCREW	1
42	287899	HOUSING, drive	1				
		includes 12, 70					
43	287053	ROD, connecting	1				
		includes 31, 32					
44	287054	GEAR, crankshaft	1				
		includes 1, 9, 25					

▲ Extra Danger and Warning tags and labels available free.

† Other filters available: 246382, 100 mesh; 246383, 200 mesh; 246425, 30 mesh

Parts Drawing - Ultra Max II Lo-Boy Sprayers

Ultra Max II 490 249913, A, B, C
 Ultra Max II 495 249916, A, B, C
 Ultra Max II 595 249918, A, B



Parts List - Ultra Max II Lo-Boy Sprayers

Ultra Max II 490: 249913, A, B, C

Ultra Max II 495: 249916, A, B, C

Ultra Max II 595: 249918, A, B

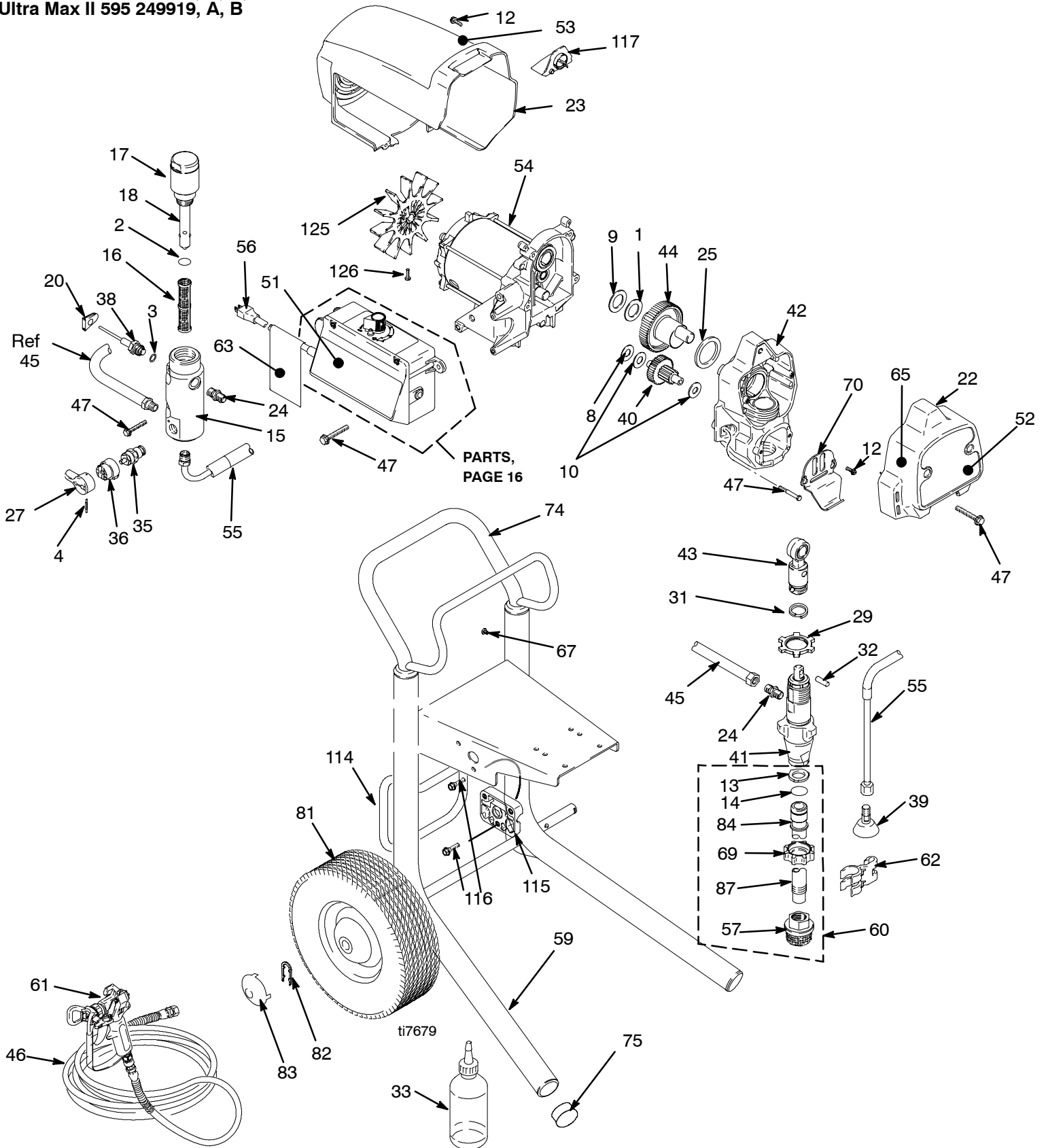
Ref.	Part	Description	Qty.	Ref.	Part	Description	Qty.
1	107434	BEARING, thrust	1	52		LABEL, front, Graco	
2	117828	PACKING, o-ring	1		15K372	490	1
3	111457	PACKING, o-ring	1		15K371	495	1
4	111600	PIN, grooved	1		15K370	595	1
8	116073	WASHER, thrust	1	53		LABEL, side, Graco	
9	116074	WASHER, thrust	1		15K376	490	1
10	116079	BEARING, thrust	2		15K377	495	1
12	117501	SCREW, mach, hex washer hd	8		15K378	595	1
13	115099	WASHER, hose	1	54		MOTOR KIT, 110V (includes 125, 126)	
14	117559	O-RING	2		24R703	490/495 Series A and B	1
15	15G455	MANIFOLD, fluid	1			(includes control box-not shown)	
16	246384†	FILTER, fluid, 60 mesh	1		24S022	490/495 Series C	1
17	287902	KIT, repair, filter cap, includes 18	1		287807	595	1
18		INSERT, filter	1	55	246381	HOSE, drain, stand	1
20	15B120	GROMMET, transducer	1			includes 39, 62	
22	287901	COVER, front, Graco, paint	1	56	253367	CORD, power, 490/495 (Lo/Hi Boy)	1
		includes 12, 65			253371	CORD, power, 595	1
23	287900	SHIELD, motor, painted	1	57	246385	STRAINER, 7/8-14 unf	1
		includes 12		59	246250	FRAME, cart, LO	1
24	162453	NIPPLE, (1/4 npsm x 1/4 npt)	2	60	246386	KIT, hose suction	1
25	180131	BEARING, thrust	1			includes 13, 14, 57, 62	
27	187625	HANDLE, valve, drain	1	61	288420	GUN, includes	1
29	195150	NUT, jam, pump	1			Manuals 311861, 312099, 312098	
31	196750	SPRING	1	62	276888	CLIP, drain line	1
32	196762	PIN, straight	1	63▲	15H085	LABEL, danger	1
33	206994	FLUID, TSL	1	65▲	195793	LABEL, warning	1
34▲	222385	TAG, warning (not shown)	1	67	109032	SCREW, pan hd	4
35	239914	VALVE, drain	1	68	15B870	CUP, suction/drain	1
36	224807	BASE, valve	1	70	15B589	COVER, pump rod	1
38	243222	TRANSDUCER, pressure control	1	71	122667	SCREW, drill	2
		includes 3		74	287488	HANDLE, assembly	1
39	241920	DEFLECTOR, threaded	1	74a	195501	SLEEVE, cart	2
40	244242	GEAR, reducer	1	74b	178565	BUTTON, snap	2
		includes 8, 10		74c	195673	WASHER	2
41	246428	PUMP, displacement	1	74d	103117	RING, retaining	2
42	287899	HOUSING, drive	1	75	107310	PLUG, tubing	2
		includes 12, 47, 76		81	195766	WHEEL, semi pneumatic	2
43	287053	ROD, connecting	1	82	15B999	CLIP, retaining	2
		includes 31, 32		83	104811	CAP, hub	2
44		GEAR, crankshaft		117	15G447	PLUG, hole	1
		includes 1, 9, 25		125	15D088	FAN, motor	1
	287054	490/495	1	126	115477	SCREW	1
	248231	595	1				
45	287003	HOSE, cpld	1				
46	240794	HOSE, cpld, 1/4 in. x 50 ft	1				
47	117493	SCREW, mach, hex washer hd	12				
51	15K383	LABEL, Ultra Max II Smart Control	1				

▲ Extra Danger and Warning tags and labels available free.

† Other filters available: 246382, 100 mesh; 246383, 200 mesh; 246425, 30 mesh

Parts Drawing - Ultra Max II Hi-Boy Sprayers

Ultra Max II 490 249914, A, B, C
 Ultra Max II 495 249917, A, B, C
 Ultra Max II 595 249919, A, B



Parts List - Ultra Max II Hi-Boy Sprayers

Ultra Max II 490: 249914, A, B, C

Ultra Max II 495: 249917, A, B, C

Ultra Max II 595: 249919, A, B

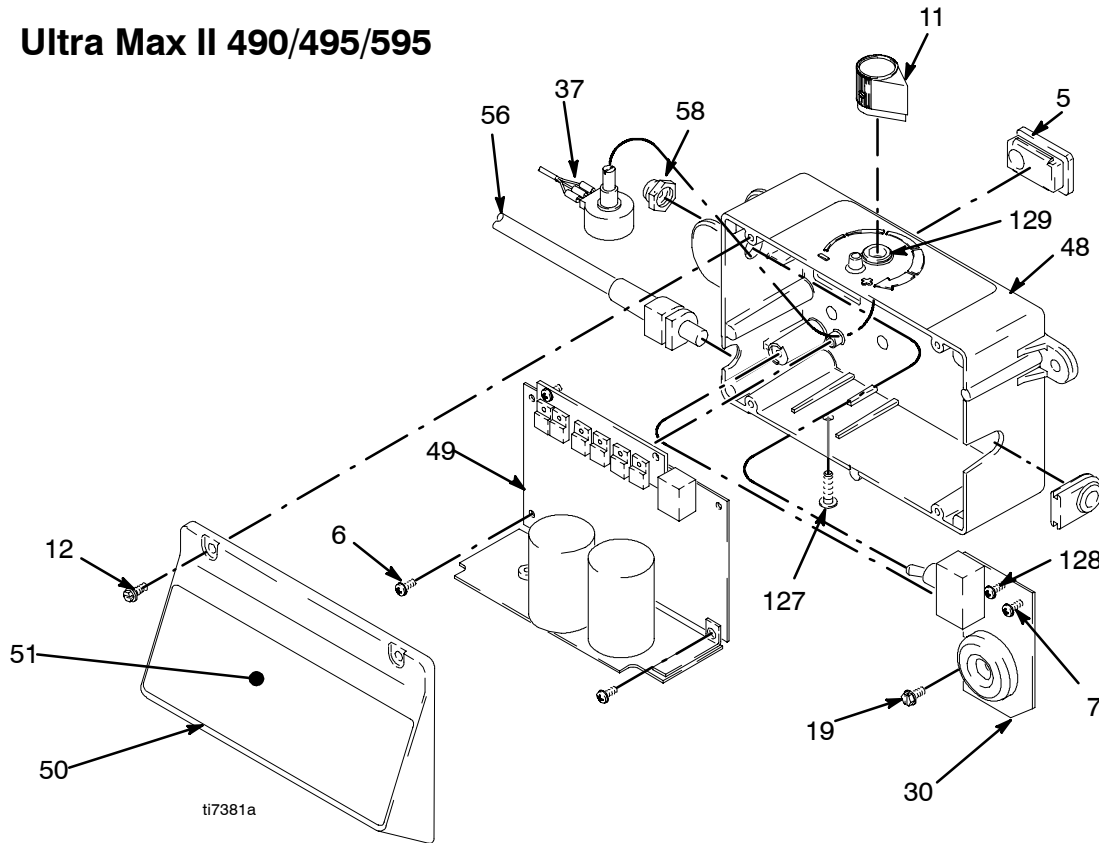
Ref.	Part	Description	Qty.	Ref.	Part	Description	Qty.
1	107434	BEARING, thrust	1	52		LABEL, front, Graco	
2	117828	PACKING, o-ring	1		15K372	490	1
3	111457	PACKING, o-ring	1		15K371	495	1
4	111600	PIN, grooved	1		15K370	595	1
8	116073	WASHER, thrust	1	53		LABEL, side, Graco	1
9	116074	WASHER, thrust	1		15K376	490	1
10	116079	BEARING, thrust	2		15K377	495	1
12	117501	SCREW, mach, hex washer hd	8		15K378	595	1
13	115099	WASHER, hose	1	54		MOTOR KIT, 110V (includes 125, 126)	
14	103413	O-RING	1		24R703	490/495 Series A and B	1
15	15G455	MANIFOLD, fluid	1			(includes control box-not shown)	
16	246384†	FILTER, fluid, 60 mesh	1		24S022	490/495 Series C	1
17	287902	KIT, repair, filter cap, includes 18	1		287807	595	1
18		INSERT, filter	1	55	244240	HOSE, drain	1
20	15B120	GROMMET, transducer	1			includes 39	
22	287901	COVER, front, Graco, paint	1	56	253367	CORD, power, 490/495 (Lo/Hi Boy)	1
		includes 12, 65			253371	CORD, power, 595	1
23	287900	SHIELD, motor, painted	1	57	246385	STRAINER, 7/8-14 unf	1
		includes 12		59	287779	FRAME, cart, HI	1
24	162453	NIPPLE, (1/4 npsm x 1/4 npt)	2	60	246387	KIT, stinger tube	1
25	180131	BEARING, thrust	1			includes 13, 14, 57, 69, 84, 87	
27	187625	HANDLE, valve, drain	1	61	288420	GUN, includes	1
29	195150	NUT, jam, pump	1			Manuals 311861, 312099, 312098	
31	196750	SPRING, retaining	1	62	276888	CLIP, drain line	1
32	196762	PIN, straight	1	63▲	15H085	LABEL, danger	1
33	206994	FLUID, TSL	1	65▲	195793	LABEL, warning	1
34▲	222385	TAG, warning (not shown)	1	67	109032	SCREW, pan hd	4
35	239914	VALVE, drain	1	69	15E813	NUT, jam	1
36	224807	BASE, valve	1	70	15C146	HOOK, pail	1
38	243222	TRANSDUCER, pressure control	1	74	287489	HANDLE	1
		includes 3		75	108691	PLUG, tubing	2
39	241920	DEFLECTOR, threaded	1	81	106062	WHEEL	2
40	244242	GEAR, reducer	1	82	15B999	CLIP, retaining	2
		includes 8, 10		83	104811	CAP, hub	2
41	246428	PUMP, displacement	1	84	15B652	WASHER, suction	1
42	287899	HOUSING, drive	1	87	15B506	TUBE, suction	1
		includes 12, 47		114	15D281	HANGER, stand	1
43	287053	ROD, connecting	1	115	15C982	CAM, cart	2
		includes 31, 32		116	114531	SCREW, mch, hex	4
44		GEAR, crankshaft	1	117	15G447	PLUG, tubing	2
		includes 1, 9, 25		125	15D088	FAN, motor	1
	287054	490/495	1	126	115477	SCREW	1
	248231	595	1				
45	287003	HOSE, cpld	1				
46	240794	HOSE, cpld, 1/4 in. x 50 ft	1				
47	117493	SCREW, mach, hex washer hd	12				
51	15K383	LABEL, Ultra Max II Smart Control	1				

▲ Extra Danger and Warning tags and labels available free.

† Other filters available: 246382, 100 mesh; 246383, 200 mesh; 246425, 30 mesh

Parts Drawing - Control Box and Board Ultra Max II

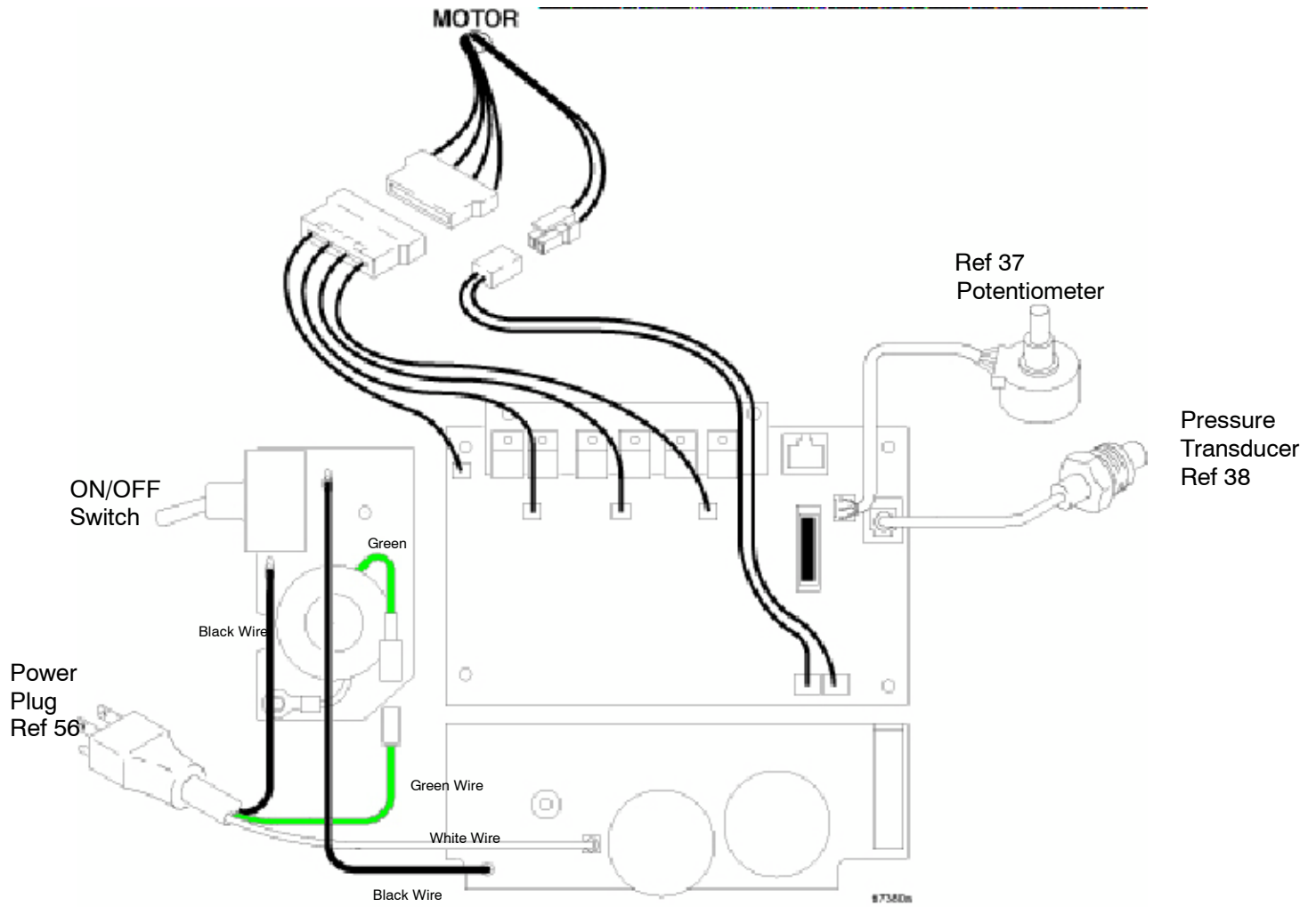
Ultra Max II 490/495/595



Parts List - Control Box and Board Ultra Max II

Ref.	Part	Description	Qty.	Ref.	Part	Description	Qty.
5	15G562	BUSHING, control box	1	48		BOX, control (includes 11, 30, 37, 49, 58)	
6	115494	SCREW, mach, phillips, pan hd	5			Ultra Max II 490/495, models 249911, 239913, 249914, 249915, 249916 and 249917	1
7	15H176	SCREW	1	287905		Ultra Max II 595, model 249918 and 249919	1
11	116167	KNOB, potentiometer	1				
12	117501	SCREW, mach, hex washer hd	4	49	287909	KIT, control board, 110V	1
19	115498	SCREW, mch, slot, hex, wash hd	1	50	277229	COVER, control	1
30	287911	BOARD, filter, 110V GFI	1	51	15K383	LABEL, Ultra Max II Smart Control	1
37	256219	POTENTIOMETER, adjust, pressure	1	56	253366	CORD, power, 490/495, stand	
					253367	CORD, power, Lo/Hi-boy 490/495	1
					253371	CORD, power, 595	1
				58	195428	BOOT, toggle	1
				127	120165	SCREW, mach, phillips, pan hd	1
				128	120406	SCREW, hex washer, hd	1
				129	158674	O-RING	1

Wiring Diagram - Ultra Max II



TO PLACE AN ORDER OR FOR SERVICE, contact your Graco distributor, or call this number to identify the distributor near you: **1-800-690-2894 Toll Free**

All written and visual data contained in this document reflects the latest product information available at the time of publication. Graco reserves the right to make changes at any time without notice.

For patent information, see www.graco.com/patents.
Original instructions. This manual contains English. MM 309675

Graco Headquarters: Minneapolis

International Offices: Belgium, Korea, China, Japan

GRACO INC. AND SUBSIDIARIES P.O. BOX 1441 MINNEAPOLIS, MN 55440-1441 USA
Copyright 2011, Graco Inc. All Graco manufacturing locations are registered to ISO 9001

<http://www.graco.com>

Revised December 2013