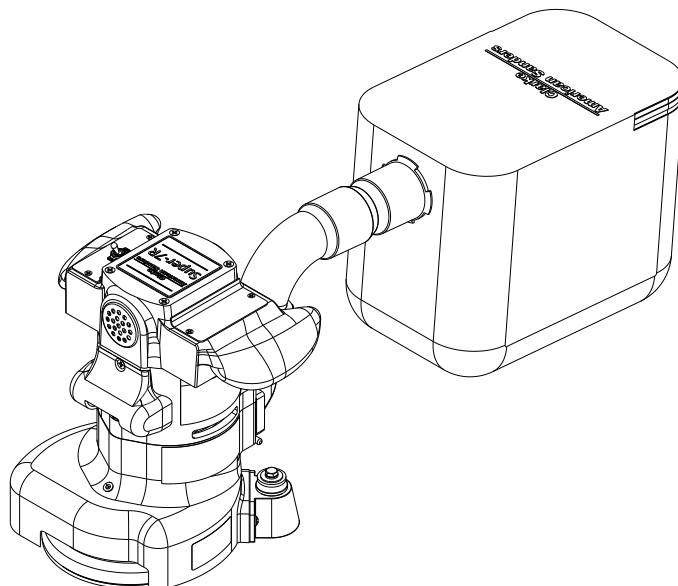

Clarke®

American Sanders®

Super 7R Edger



Operator's Manual / Manual del operador / Manuel de l'utilisateur
Models: 07013A, 07125A, 07098A



READ THIS BOOK

LEA ESTE MANUAL



LISEZ CE MANUEL

EN

English (2 - 11)

ES

Español (12 - 21)

FR

Français (22 - 31)

This book has important information for the use and safe operation of this machine. Failure to read this book prior to operating or attempting any service or maintenance procedure to your Clarke American Sanders machine could result in injury to you or to other personnel; damage to the machine or to other property could occur as well. You must have training in the operation of this machine before using it. If your operator(s) cannot read this manual, have it explained fully before attempting to operate this machine.


All directions given in this book are as seen from the operator's position at the rear of the machine.

Contents of this Book

Operator's Manual - Section I

Operator Safety Instructions.....	3
Machine Specifications.....	6
Sanding Cuts and Sandpaper	7
Machine Set-Up.....	8
Operating Instructions	9
Adjustment Procedures	10
Routine Maintenance	10
Maintenance	11

Parts Manual - Section II.....	33-38
---------------------------------------	--------------

 **WARNING:** The Products sold with this Manual contain or may contain chemicals that are known to certain governments (such as the State of California, as identified in its Proposition 65 Regulatory Warning Law) to cause cancer, birth defects or other reproductive harm. In certain locations (including the State of California) purchasers of these Products that place them in service at an employment job site or a publicly accessible space are required by regulation to make certain notices, warnings or disclosures regarding the chemicals that are or may be contained in the Products at or about such work sites. It is the purchaser's responsibility to know the content of, and to comply with, any laws and regulations relating to the use of these Products in such environments. The Manufacturer disclaims any responsibility to advise purchasers of any specific requirements that may be applicable to the use of the Products in such environments.

OPERATOR SAFETY INSTRUCTIONS



When you see this symbol, it means: **Refer to instruction manual/booklet**



When you see this symbol, it means: **Wear eye protection.**

General Power Tool Safety Warnings



WARNING: Read all safety warnings and instructions. *Failure to follow warnings and instructions may result in electric shock, fire and or serious injury.*

Save all warnings and instructions for future use.

The term "power tool" in the warnings refers to your main-operated (corded) power tool or battery operated (cordless) power tool.

Work area safety

1. **Keep work area clean and well lit.** *Clutter or dark areas invite accidents.*
2. **Do not operate power tools in explosive atmospheres, such as in the presence of flammable liquids, gasses, or dust.** *Power tools create sparks which may ignite the dust or fumes.*
3. **Keep children and bystanders away while operating a power tool.** *Distractions can cause you to lose control.*

Electrical safety

1. **Power tool plugs must match the outlet. Never modify the plug in any way. Do not use any adapter plugs with earthed (grounded) power tools.** *Unmodified plugs and matching outlets will reduce risk of electric shock.*
2. **Avoid body contact with earthed or grounded surfaces such as pipes, radiators, ranges, and refrigerators.** *There is an increased risk of electric shock if your body is earthed or grounded.*
3. **Do not expose power tools to rain or wet conditions.** *Water entering a power tool will increase the risk of electric shock.*
4. **Do not abuse the cord. Never use the cord for carrying, pulling or unplugging the power tool. Keep cord away from heat, oil, sharp edges or moving parts.** *Damaged or entangled cords increase the risk of electric shock.*
5. **When operating a power tool outdoors, use an extension cord suitable for outdoor use.** *Use of cord suitable for outdoor use reduces the risk of electric shock.*
6. **If operating a power tool in a damp location is unavoidable, use a ground fault circuit protected supply.** *Use of a ground fault circuit protector reduces the risk of electric shock.*

Personal safety

1. **Stay alert, watch what you are doing and use common sense when operating a power tool. Do not use a power tool while you are tired or under the influence of drugs, alcohol, or medication.** *A moment of inattention while operating power tools may result in serious personal injury.*
2. **Use personal protective equipment. Always wear eye protection.** *Protective equipment such as dust mask, non-skid safety shoes, hard hat, or hearing protection used for appropriate conditions will reduce personal injury.*
3. **Prevent unintentional starting. Ensure switch is in off-position before connecting to power source, picking up, or carrying the tool.** *Carrying power tools with your finger on the switch or energizing power tools that have the switch on invites accidents.*
4. **Removing any adjustment wrench or key before turning the power tool on.** *A wrench or key left attached to a rotating part of the power tool may result in personal injury.*
5. **Do not overreach. Keep proper footing and balance at all times.** *This enables better control of the power tool in unexpected situations.*
6. **Dress properly. Do not wear loose clothing or jewelry. Keep your hair, clothing and gloves away from moving parts.** *Loose clothes, jewelry, or long hair can be caught in moving parts.*
7. **If devices are provided for the connection of dust extraction and collection facilities, ensure these are connected and properly used.** *Use of dust collection can reduce dust related hazards.*

Power tool use and care

1. **Do not force the power tool. Use the correct power tool for your application.** *The correct power tool will do the job better and safer at the rate it was designed.*
2. **Do not use the power tool if the switch does not turn it on and off.** *Any power tool that cannot be controlled with the switch is dangerous and must be repaired.*
3. **Disconnect the plug from the power source and from the power tool before making any adjustments, changing accessories or storing the power tool.** *Such preventative safety measures reduce the risk of starting the power tool accidentally.*
4. **Store idle power tools out of the reach of children and do not allow persons unfamiliar with the power tool or these instructions to operate the power tool.** *Power tools are dangerous in the hands of untrained users.*
5. **Maintain power tools. Check for misalignment or binding of moving parts, breakage of parts and any other condition that may affect the power tool's operation. If damaged, have the power tool repaired before use.** *Many accidents are caused by poorly maintained power tools.*
6. **Use the power tool, accessories and tool bits ect. in accordance with these instructions, taking into account the working conditions and the work to be performed.** *Use of the power tool for operations different from those intended could result in a hazardous situation.*

Service

Have the power tool serviced by a qualified repair person using only identical replacement parts. *This will ensure that the safety of the power tool is maintained.*

Safety Warnings For Sanding Operations

1. **This power tool is intended to function as a sander. Read all safety warnings, instructions and specifications provided with this power tool.** *Failure to follow all instructions listed below may result in electric shock, fire, or personal injury.*
2. **Operations such as grinding, wire brushing, polishing or cutting-off, are not recommended to be performed with this power tool.** *Operations for which the tool was not designed may create a hazard and cause personal injury.*
3. **Do not use accessories which are not specifically designed and recommended by the tool manufacturer.** *Just because the accessory can be attached to your power tool, it does not assure safe operation.*
4. **The rated speed of the accessory must be at least equal to the maximum speed marked on the power tool.** *Accessories running faster than their rated speed can break and fly apart.*
5. **The outside diameter and thickness of your accessory must be within the capacity rating of your power tool.** *Incorrectly sized accessories cannot be adequately guard or controlled.*
6. **The arbor size of wheels, flanges, backing pads or any other accessory must fit the spindle of the power tool.** *Accessories with arbor holes that do not match the mounting hardware of the power tool will run out of balance, vibrate excessively and may cause loss of control.*
7. **Do not use damaged accessory. Before each use inspect the accessory such as abrasive wheel for chips or cracks, backing pad for cracks, tear or excess wear, wire brush for loose or cracked wires. If power tool or accessory is dropped, inspect for damage or install an undamaged accessory. After inspecting or installing an accessory, position yourself or bystanders away from the plane of the rotating accessory and run the power tool at maximum no-load speed for one minute.** *Damaged accessories will normally break apart during this time.*
8. **Wear personal protective equipment. Depending on application, use face shield, safety goggles or safety glasses. As appropriate, wear dust mask, hearing protectors, gloves and workshop apron capable of stopping flying debris generated by various operations.** *The eye protection must be capable of stopping flying debris generated by various operations. The dust mask or respirator must be capable of filtering particles generated by your operations. Prolonged exposure to high intensity noise may cause hearing loss.*
9. **Keep bystanders a safe distance away from work area. Anyone entering the work area must wear personal protective equipment.** *Fragments of work piece or a broken accessory may fly away and cause injury beyond immediate area of operation.*
10. **Hold power tool by gripping insulated surfaces (handle) only, when performing an operation where the cutting accessory may contact hidden wiring or its own cord.** *Cutting accessory contacting a "live" wire may make exposed metal parts of the power tool "live" and shock the operator.*
11. **Position the cord clear of the spinning accessory. If you loose control, the cord may be cut or snagged and your arm or hand may be pulled into the spinning accessory.**
12. **Never lay the power tool down until the accessory has come to a complete stop.** *The spinning accessory may grab the surface and pull the power tool out of your control.*
13. **Do not run the power tool while carrying it at your side.** *Accidental contact with the spinning accessory could snag your clothing, pulling the accessory into your body.*

14. **Regularly clean the power tools air vents.** *The motor's fan will draw the dust inside the housing and excessive accumulation may cause electrical hazards.*
15. **Do not operate the power tool near flammable materials.** *Sparks could ignite these materials.*
16. **Do not use excessively oversized sanding disc paper. Follow manufacturer's recommendations when selecting sanding paper.** *Larger sanding paper extending beyond the sanding pad presents a laceration hazard and may cause snagging, tearing of the disc or kickback.*

Kickback and Related Warnings

Kickback is a sudden reaction to a pinched or snagged rotating wheel, backing pad, brush or any other accessory. Pinching or snagging causes rapid stalling of the rotating backing pad which in turn causes uncontrolled power tool to be forced in the opposite direction of the backing pad's rotation at the point of the binding.

For example, if an abrasive wheel is snagged or pinched by the work piece, the edge of the wheel that is entering into the pinch point can dig into the surface of the material causing the wheel to climb out or kick out. The wheel may either jump toward or away from the operator, depending on direction of the wheel's movement at the point of pinching. Abrasive wheels may also break under these conditions.

Kickback is the result of power tool misuse and incorrect operating procedures or conditions and can be avoided by taking proper precautions as given below.

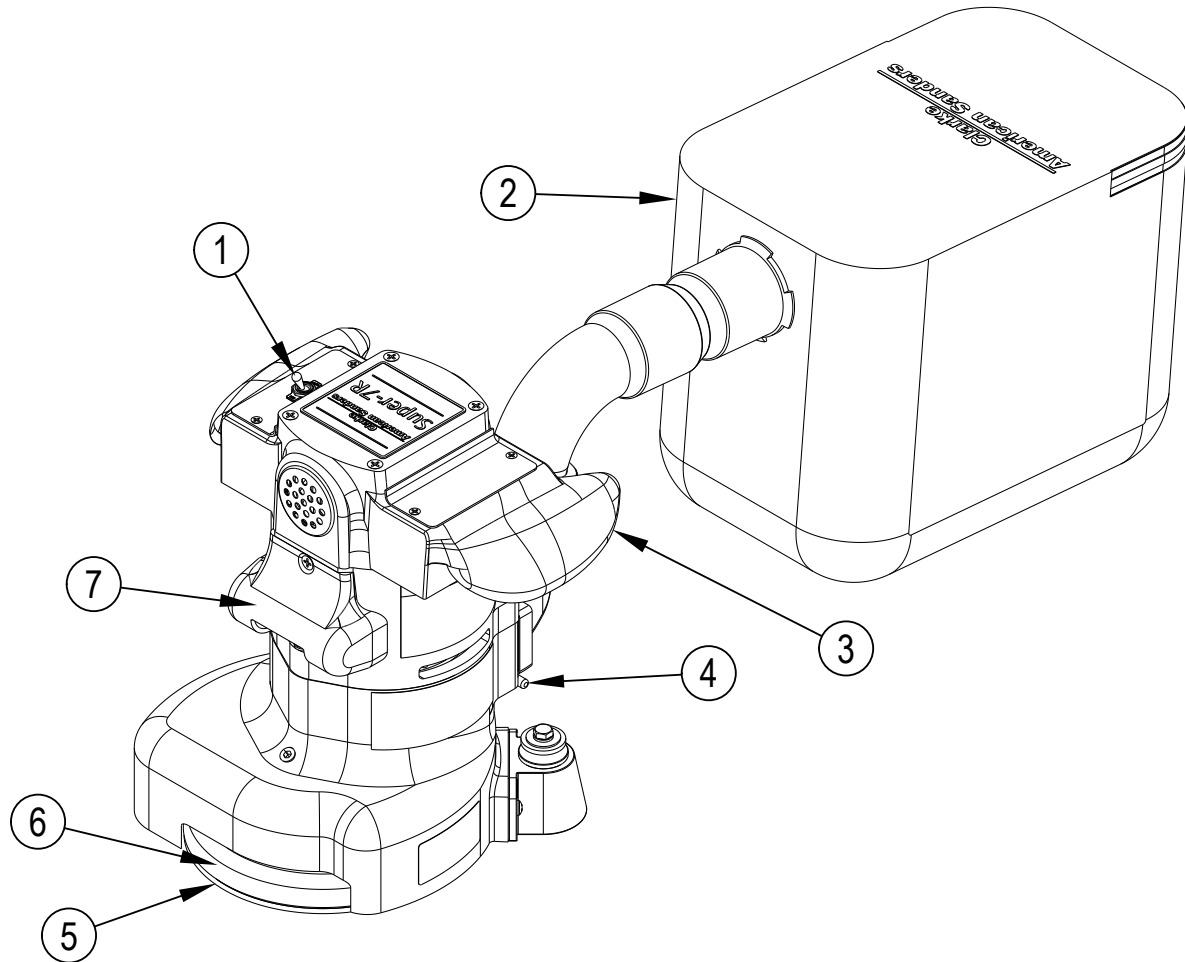
1. **Maintain a firm grip on the power tool and position your body and arms to allow you to resist kickback forces. Always use auxiliary handles, if provided for maximum control over kickback or torque reactions during start up.** *The operator can control torque reactions or kickback forces, if proper precautions are taken.*
2. **Never place your hand near the rotating accessory.** *Accessory may kickback over your hand.*
3. **Do not position your body in the area where power tool will move if kickback occurs.** *Kickback will propel the tool in the direction opposite to the wheel's movement at the point of the snagging.*
4. **Use special care when working corners, sharp edges etc. Avoid bouncing and snagging the accessory.** *Corners, sharp edges or bouncing have a tendency to snag the rotating accessory and cause loss of control or kickback.*

Additional Rules For Safe Operation

1. **Empty the dust bag or dust collection receiver frequently. Do not leave residue in dust bag or dust collection receiver unattended. Always empty in a non-combustible metal container.** *Sanding wood or varnish produces dust that can self ignite and cause injury or damage. Follow this precaution for storage.*
2. **Set all exposed nails. Sweep loose abrasive away from work area. Do not strike metal pipes, ect., with sanding paper.** *Striking metal or abrasive particles with sanding paper produces sparks that could ignite the sanding dust which can cause injury or damage.*
3. **Do not operate a partially assemble power tool. Keep all adjustments within manufacturer's specifications. Keep all fasteners tight.** *Operating a partially assembled power tool could result in injury to the operator or bystander and could cause damage to the equipment or surroundings.*
4. **Do not attempt to change the sanding paper while the power tool is running.** *The sanding pad can snag clothing and cause injury to limbs and moving sanding paper can cause abrasions.*
5. **The power tool should only be used on an electrical system (mains) that is rated for the electrical requirements of the power tool as shown on the nameplate. Use only on an earthing (grounded) system. Do not service the power tool if it is energized or connected to an electrical circuit.** *Improper use could cause fire or electric shock.*

KNOW YOUR MACHINE

- 1 Control Switch
- 2 Dust Collection Bag
- 3 Operating Handles
- 4 Abrasive Wrench
- 5 Steel Reinforced Molded Rubber Sanding Pad
- 6 Wall Guard
- 7 Work Light



SPECIFICATIONS

Model	07013A	07125A	07098A
Electrical Rating	115V, 12.0 A, 50-60 Hz	115V ~, 60 Hz	230V, 6.0 A, 50 Hz
Storage Case	Standard	Standard	Standard
Motor	1hp	1hp	1hp
Abrasive Size	7" x 7/8" Dia. Disc	7" x 7/8" Dia. Disc	7" x 7/8" Dia. Disc
Disc Rate	2800 RPM	2800 RPM	2800 RPM
Disc Driver System	Gear Driven	Gear Driven	Gear Driven
Power Cable	14-3 Gray Rubber	14-3 Gray Rubber	14-3 Gray Rubber
Dust Collection	Standard	Standard	Standard
Dust Control Rate	110 CFM	110 CFM	110 CFM

SANDING CUTS AND SANDPAPER

Initial Cut

The purpose of the initial cut is to remove old finish and gross imperfections on the floor surface. A coarse abrasive should be used.

If glazing, loading, or burning takes place immediately into an initial cut, select a coarser abrasive. If this should occur during an initial cut, the abrasive has dulled and must be replaced.

Final Cuts

The purpose of a finishing cut is to remove the scratches produced during the initial cut. Use a fine (60 - 80 grit) grain abrasive.

If the surface remains rough after a finishing cut, it may be necessary to use an even finer grain of abrasive (80 - 100 grit). Care should be taken in selecting the grit size of the abrasive. A very fine grain will close the pores on a wood floor making admission of a stain difficult.

MACHINE SET-UP

This sanding machine is designed to be operated with a remote vacuum dust collection system or with the included dust bag.

Preparing Remote Vacuum Dust Collection Systems

To prepare the machine for remote vacuum dust collection systems that have a 2" hose end, follow this procedure:

1. Install 2" hose end (figure 1, A) directly over the exhaust tube (figure 1, B).
2. The exhaust tube can be rotated for optimum convenience.

To prepare the machine for remote vacuum dust collection systems that have a 1 ½" hose end, follow this procedure:

1. Install the 2" x 1½" hose end adaptor (Part No. 30563A) (figure 1, C) over the exhaust tube (figure 1, B).
2. Insert 1½" hose end (figure 1, D) into the adaptor (figure 1, C).

NOTE: Start the remote vacuum collection system before operation.

Preparing to use the included dust bag

To prepare the machine for use with the included dust bag (Part No. 53544B), follow this procedure:

1. Install the dust bag by pressing the end onto the exhaust tube until the ring locks into the groove (figure 2). This is best done by pressing on the back of the bag opening with the palm of your hand.
2. The exhaust tube can be rotated for optimum convenience.
3. To remove the dust bag from the exhaust tube, pry up the end of the bag opening to partially release the internal rib from the groove, then pull.
4. To empty the dust bag, unzip the disposal flap and force contents out by inverting the bag.

NOTE: For best results, empty frequently. Follow all warnings posted in this manual and on the dust bag.

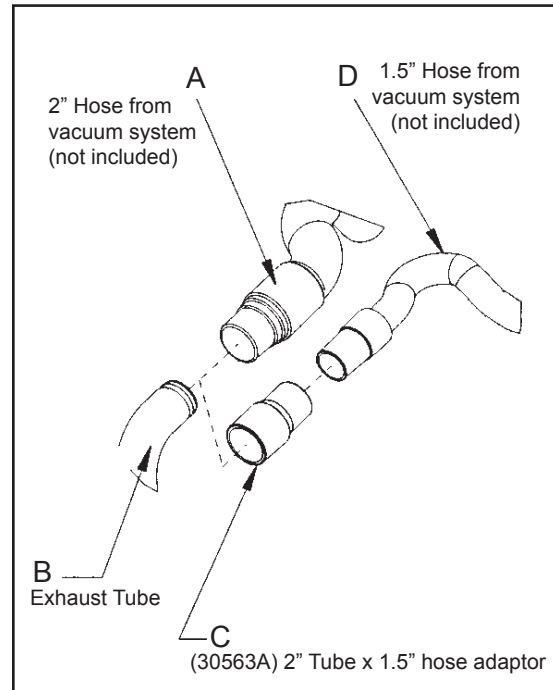


Figure 1

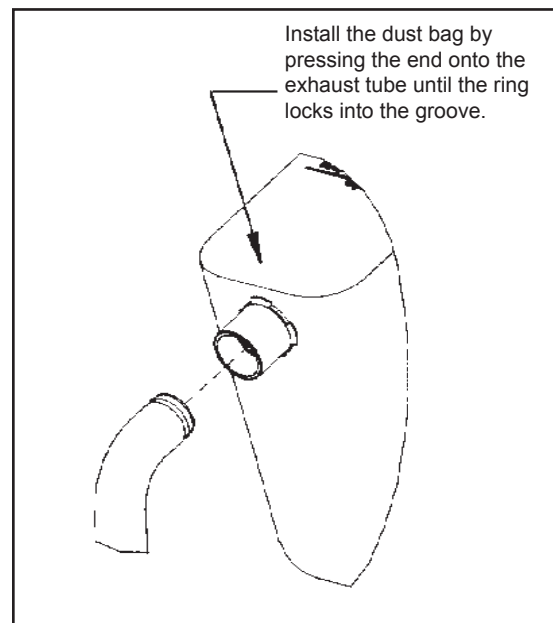


Figure 2

MACHINE SET-UP

Preparing the Machine for Operation

1. Familiarize yourself with the machine. Read all danger, warning, and caution statements and the Owner's Manual before operating this machine. If you or your operator cannot read English, have this manual explained fully before attempting to operate this machine.
2. Remove screw and abrasive retainer. Center abrasive on pad and secure with abrasive retainer and screw. (Figure 3)
3. Return machine to upright position and tilt machine back on casters until it comes to rest on the exhaust bracket. Machine will be in a reclined position. Do not allow machine to rest on pad especially after use, or compression set may take place within elastomer on pad. This will create a flat spot and bounce during use. (Figure 4)

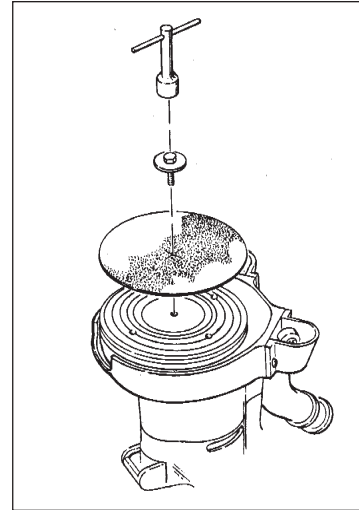


Figure 3

OPERATING INSTRUCTIONS

1. Move machine to the location of your work. Set any exposed nails with hammer and punch to avoid encounter with abrasive.

⚠ WARNING: Bodily injury could occur if power is applied to the machine with the power switch already in the "ON" position. Always check to assure that the power switch is in the "OFF" position before applying power to the power cable.

2. Make sure the control switch is in the "Off" position then connect the supply cable to an appropriately grounded fused circuit. Connect the supply cable to the motor pigtail. (Figure 5)
3. With the machine in the reclined position firmly grasp both handles and flip the control switch to the "ON" position. (Figure 4.)
4. Gradually lower pad to surface intended for sanding. Make sure the machine is in motion while the pad is engaged with the surface to be sanded. You may use broad circular motion as you sand along the length of the surface or you may use a combination of forward and sideward motions. In time you will develop your own technique to optimize coverage and dust recovery. It is advisable to not add effort to the pad as this may lead to "nosing in" or "tipping" which produces grooves or lines on the surface.
5. When replacing abrasive, emptying the contents of the dust bag, or sanding operation is completed, return machine to reclined position, flip control switch to "Off" then disconnect the motor pigtail from the supply cable.
6. Empty dust bag whenever it becomes 1/3 full.

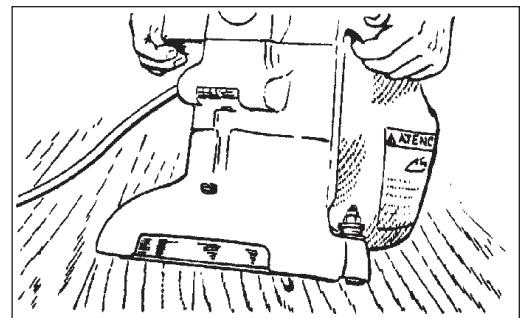


Figure 4

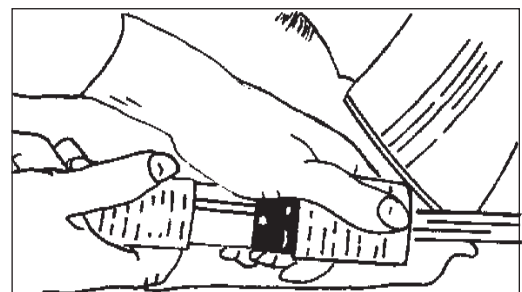


Figure 5

OPERATING INSTRUCTIONS cont.

⚠ DANGER: Failure to disconnect the supply cable from machine whenever servicing, replacing abrasive, or emptying the dust bag could result in electrocution or severe injury. Never leave machine unattended while the supply cable is connected.

⚠ DANGER: Never leave dust bag unattended with sanding dust in it. Sanding dust can spontaneously ignite and cause a fire or explosion. Empty dust bag into a metal container, clear of any combustibles. Do not empty content into a fire. Do not overfill dust bag.

ADJUSTMENT PROCEDURES**Leveling**

To level machine: Grasp caster adjusting screw "A" with an appropriate tool (pliers ect.). Using a similar tool, loosen locknut "B" with a counter clockwise motion. (Figure 6).

Condition - Pad creates ridges on both edges or a "hop" is experienced: Rotate both adjusting screws equal amounts clockwise. Tighten locknuts and test on a piece of plywood. Repeat procedure until condition is corrected. We recommend you not exceed 1/8" rotation for each attempt.

Condition - Pad creates a ridge on the tip of the pad: Rotate both adjusting screws counter clockwise, tighten locknuts and test. Repeat procedure until condition is corrected. Use only 1/8 rotation for each attempt.

Condition - Pad creates a ridge on only one side of the pad: Either rotate the adjusting screw of the side effected clockwise or rotate the adjusting screw opposite counterclockwise, depending on whether the ridge terminates beyond the tip of the pad or prior to it. If it is prior to the tip, adjust the side effected, otherwise adjust the opposite side.

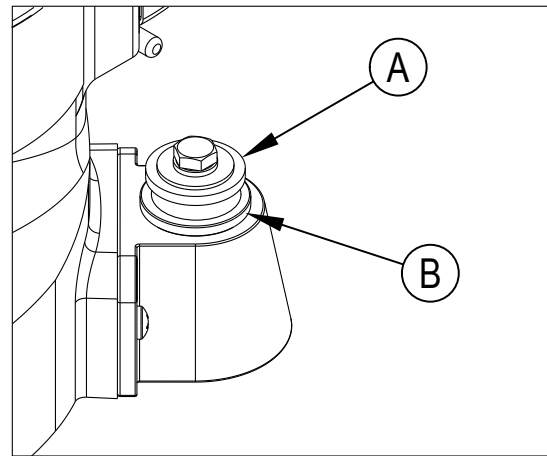


Figure 6

ROUTINE MAINTENANCE

⚠ CAUTION: Failure to perform maintenance at recommended intervals may void warranty.

Carbon Brushes

Have the carbon brushes replaced at least every 500 hours and more frequently under heavy use.

Dust Bag

Periodically the dust bag should be turned inside out, shaken vigorously and machine washed in cold water to prevent pore blockage and loss of dust control.

Bearings

To insure reliable performance, have armature and pad driver bearings inspected for wear or damage after every 1500 hours. If used heavily, have the bearings replaced seasonally.

Lubrication

The machine comes fully lubricated. The gears in the gear box have enough lubrication for approximately six months of normal operation. Have the lubricant changed at least every 6 months or more frequently under heavy use.

MAINTENANCE

⚠ CAUTION: Maintenance and repairs performed by unauthorized personnel could result in damage or injury. Maintenance and repairs performed by unauthorized personnel will void your warranty. Failure to perform maintenance at recommended intervals may void warranty.

Carbon Brushes

Inspect all four brushes every 6 months or 250 hours. Access to the brushes is gained through the front and back motor vent plugs and under both motor covers (figure 7). Press tab (A) on spring clip assembly in, rotate, then remove (figure 8). Use needlenose pliers to disconnect the shunt wire. If any brush has worn to 3/8" in length or shorter, replace the entire set.

⚠ CAUTION: Use only motor brush PN 40818A or PN 40055A with shunt wire or motor failure will occur.

When replacing the brushes make sure that the brush seats against the commutator, the spring rest in the recess of the brush, and the brush is free to travel. When returning the switch cover, keep any wires clear of the commutator and any pinch site.

To Change The Lubricant In The Gearbox

To change the lubricant in the gearbox, follow this procedure:

1. Put the machine upside down on a bench.
2. Align one of the two holes in the rubber pad with one of the three holes in the rotating wall guard.
3. Align both holes with one of the three screws in the gear housing cover. Remove the screw from the gear housing cover. (Figure 9)
4. Align the holes with each of the other two screws, then remove screws.

⚠ CAUTION: Make sure no dust enters the gear box. Damage will occur to the gear box.

5. Remove the cover from the gear housing.
6. Remove the old lubricant from the gearbox.
7. Add six ounces of American SandersTechnology lubricant to the gear box.

⚠ CAUTION: To prevent damage to the motor, do not add more than six ounces of lubricant to the gearbox.

8. Using the three screws removed above, install the cover on the gear housing.
9. Start the machine and let it run for 15 minutes. A small amount of excess lubricant should flow out the vent hole. If none appears it may be necessary to add additional lubricant.
10. Wipe off excess lubricant and clear vent hole.

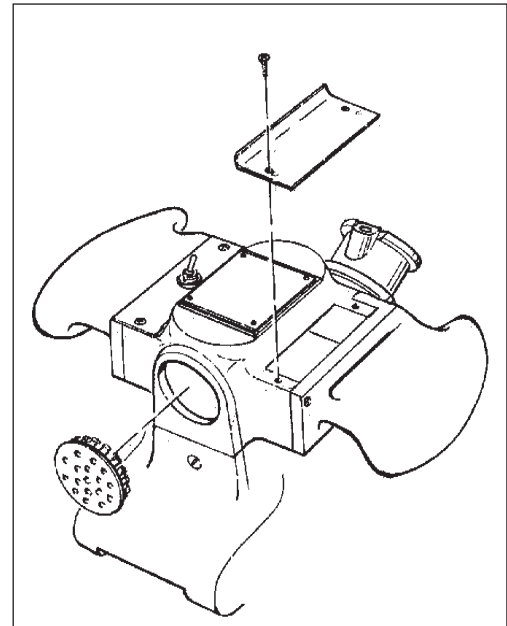


Figure 7

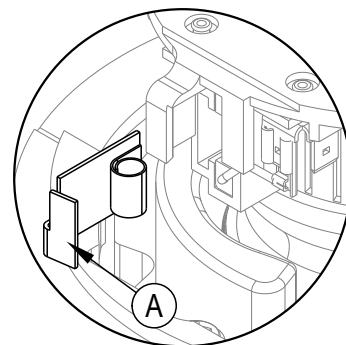


Figure 8

Lubricants

Qty	Part No.
1Qt.	16610A
1Gal.	16611A

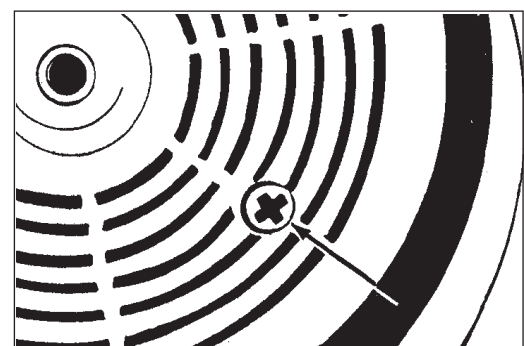


Figure 9

LEA ESTE MANUAL


Este manual contiene información importante acerca del uso y la seguridad de la máquina. Si no lee el manual antes de utilizar su máquina Clarke American Sanders o de intentar realizar los procedimientos de reparación o mantenimiento de la misma, usted o el resto del personal podrían sufrir lesiones; asimismo, podrían producirse daños a la máquina o a otras propiedades. Antes de utilizar la máquina, es necesario recibir la capacitación adecuada en la operación de la misma. Si el operador de la máquina no sabe leer en español, explíquele el manual exhaustivamente antes de que intente utilizarla.

Todas las indicaciones incluidas en este manual se ofrecen desde la posición del operador en la parte posterior de la máquina.

Manual del operador - Sección I

Instrucciones de seguridad para el operador 13
Especificaciones de la máquina 16
Cortes de lija y papel de lija..... 17
Instalación de la máquina..... 18
Operación de la máquina 19
Procedimientos de ajuste de la lijadora..... 20
Mantenimiento de rutina 20
Mantenimiento 21

Manual de piezas - - Sección II..... 33-38

 **ADVERTENCIA:** Los Productos a la venta en este Manual contienen, o pueden contener, productos químicos reconocidos por algunos gobiernos (como el Estado de California, según lo indica en su Proposición 65, Ley de Advertencia Regulatoria) como causantes de cáncer, defectos de nacimiento u otros daños reproductivos. En algunas jurisdicciones (incluido el Estado de California), los compradores de estos Productos que los coloquen en servicio en un emplazamiento laboral o en un espacio de acceso público tienen la obligación regulatoria de realizar determinados avisos, advertencias o divulgaciones respecto de los productos químicos contenidos o posiblemente contenidos en los Productos utilizados en tal lugar. Es la responsabilidad del comprador conocer y cumplir con todas las leyes y reglamentaciones relacionadas con el uso de estos Productos en tales entornos. El Fabricante niega toda responsabilidad de informar a los compradores sobre requisitos específicos que pueden regir el uso de los Productos en tales entornos.

Contenido de este libro



Cuando vea este símbolo, significa:
Consultar el libro de instrucciones



Cuando vea este símbolo, significa:
Usar protección ocular.

Advertencias generales de seguridad de la herramienta motorizada



ADVERTENCIA: Lea todas las instrucciones y las advertencias de seguridad. Si no respeta todas las instrucciones y advertencias podría sufrir una descarga eléctrica, causar un incendio o sufrir lesiones graves.

Guarde todas las instrucciones y las advertencias para usos futuros.

El término "herramienta motorizada" que figura en las advertencias hace referencia a la herramienta eléctrica conectada a la red de energía (con cable) o a la herramienta accionada con batería (sin cable).

Seguridad en el área de trabajo

1. El área de trabajo se debe mantener limpia y bien iluminada. Las áreas desordenadas u oscuras favorecen los accidentes.
2. No opere las herramientas motorizadas en atmósferas explosivas, como en presencia de líquidos, gases o polvo inflamables. Las herramientas motorizadas generan chispas que pueden encender el polvo o los vapores.
3. Mientras se opera una herramienta motorizada, se deben mantener alejados a los niños y a las personas que se encuentran en el lugar. Las distracciones pueden causar la pérdida del control.

Seguridad eléctrica

1. Los enchufes de las herramientas motorizadas deben coincidir con los tomacorrientes. No modifique nunca el enchufe de ninguna manera. No use enchufes adaptadores con las herramientas motorizadas con conexión a tierra. Los enchufes no modificados y los tomacorrientes correspondientes reducen el riesgo de que se produzcan descargas eléctricas.
2. Evite el contacto del cuerpo con las superficies conectadas a tierra como las tuberías, los radiadores, cocinas y refrigeradores. Existe un mayor riesgo de sufrir descargas eléctricas si el cuerpo se pone a tierra.
3. No exponga las herramientas motorizadas a la lluvia o a condiciones húmedas. Si ingresa agua a una herramienta motorizada, se incrementa el riesgo de que se produzcan descargas eléctricas.
4. No maltrate el cable. No utilice nunca el cable para transportar, arrastrar o desenchufar la herramienta motorizada. Mantenga el cable alejado del calor, el aceite, los bordes filosos o las piezas móviles. Los cables dañados o enredados incrementan el riesgo de que se produzcan descargas eléctricas.
5. Cuando opere una herramienta motorizada en exteriores, use una prolongación adecuada para uso en exteriores. Si se usa un cable adecuado para exteriores se reduce el riesgo de que se produzcan descargas eléctricas.
6. Si no se puede evitar la operación de una herramienta motorizada en un lugar húmedo, utilice un suministro protegido con un circuito de fuga a tierra. El uso de un circuito de fuga a tierra reduce el riesgo de que se produzcan descargas eléctricas.

Seguridad personal

1. Manténgase alerta, preste atención a lo que está haciendo y use el sentido común cuando opere una herramienta motorizada. No use una herramienta motorizada cuando esté cansado o bajo el efecto de drogas, alcohol o medicamentos. Un momento de distracción al operar herramientas motorizadas puede provocar lesiones personales graves.
2. Use equipo de protección personal. Use siempre protección ocular. El uso de equipo de protección adecuado para las condiciones de trabajo como máscara antipolvo, calzado de seguridad antideslizante, casco o protección auditiva reducirá las lesiones personales.
3. Evite la puesta en marcha accidental. Asegúrese de que el interruptor esté en la posición "off" (apagado) antes de conectar la herramienta a la alimentación, levantarla o transportarla. Si se transportan las herramientas motorizadas con el dedo en el interruptor o se las activa cuando tienen el interruptor en la posición "on" (encendido) se favorecen los accidentes.
4. Se deben retirar todas las llaves de ajuste o de otro tipo antes de poner en marcha la máquina motorizada. Si se deja una llave sujeta a una pieza giratoria de la herramienta motorizada se pueden provocar lesiones personales.
5. No adopte una postura incómoda. Busque un buen punto de apoyo y mantenga el equilibrio. Esto permite controlar mejor la herramienta motorizada en situaciones inesperadas.
6. Utilice vestimenta adecuada. No utilice ropa suelta ni alhajas. Mantenga el cabello, la ropa y los guantes alejados de las piezas móviles. La ropa suelta, las alhajas o el cabello largo pueden quedar atrapados en las piezas móviles.
7. Si se suministran dispositivos de conexión para la extracción y recolección de polvo, asegúrese de que estén conectados y se usen adecuadamente. El uso de la recolección de polvo puede reducir los peligros asociados con el polvo.

Uso y cuidado de la herramienta motorizada

1. **No fuerce la máquina herramienta. Use la herramienta motorizada correcta para su aplicación.** *La herramienta motorizada correcta hace un trabajo mejor y más seguro si se usa con la capacidad nominal con que se diseñó.*
2. **No use la herramienta motorizada si no se enciende y apaga con el interruptor.** *Una herramienta motorizada que no se puede controlar con el interruptor es peligrosa y debe repararse.*
3. **Desconecte el enchufe de la alimentación y de la herramienta motorizada antes de realizar cualquier ajuste, cambiar los accesorios o guardar la herramienta motorizada.** *Este tipo de medidas de seguridad preventivas reduce el riesgo de poner en marcha la herramienta motorizada de forma accidental.*
4. **Guarde fuera del alcance de los niños las herramientas motorizadas que no se utilizan y no permita que las usen personas que no están familiarizadas con dichas herramientas o con estas instrucciones.** *Las herramientas motorizadas son peligrosas en manos de usuarios no capacitados.*
5. **Mantenga las herramientas motorizadas. Contrólas para verificar que las piezas móviles no estén mal alineadas ni trabadas, que no haya piezas rotas y que no haya otra condición que pudiera afectar el funcionamiento de las herramientas motorizadas. Si está dañada, debe hacerla reparar antes de usarla.** *Muchos accidentes son ocasionados por herramientas motorizadas que no están bien mantenidas.*
6. **Use la herramienta motorizada, los accesorios y las brocas, etc. de acuerdo con estas instrucciones, teniendo en cuenta las condiciones de trabajo y la tarea a realizar.** *Si se usa la herramienta motorizada para operaciones para las cuales no fue diseñada se podría generar una situación peligrosa.*

Servicio

El servicio de la máquina motorizada debe realizarlo un técnico de reparación calificado y se deben usar sólo piezas de reemplazo idénticas. Esto asegurará que se mantenga la seguridad de la herramienta motorizada.

Advertencias de seguridad para las operaciones de lijado

1. **Esta herramienta motorizada está diseñada para funcionar como lijadora. Lea todas las advertencias de seguridad, las instrucciones y las especificaciones provistas con esta herramienta motorizada.** *Si no respeta todas las instrucciones mencionadas a continuación podría sufrir una descarga eléctrica, causar un incendio o sufrir lesiones graves.*
2. **Se recomienda no utilizar esta herramienta motorizada para operaciones de esmerilado, cepillado con cepillo de alambre, pulido o corte.** *El uso de la herramienta para operaciones para las cuales no fue diseñada puede generar una situación de peligro y causar lesiones personales.*
3. **No use accesorios que no hayan sido específicamente diseñados y recomendados por el fabricante de la herramienta.** *Sólo porque un accesorio puede conectarse a la herramienta motorizada no asegura que funcione de forma segura.*
4. **La velocidad especificada para el accesorio debe ser por lo menos igual a la velocidad máxima marcada en la herramienta motorizada.** *Los accesorios que funcionan a una velocidad mayor a la que tienen especificada pueden romperse y salir volando al desprenderse.*
5. **El diámetro externo y el espesor del accesorio deben coincidir con la capacidad especificada para la herramienta motorizada.** *Si el tamaño de los accesorios es incorrecto no se los puede proteger ni controlar adecuadamente.*
6. **El tamaño de eje de las ruedas, las bridas, los discos de soporte o de cualquier otro accesorio debe ser adecuado para el husillo de la herramienta motorizada.** *Si los accesorios tienen orificios para ejes que no coinciden con el equipo de montaje de la herramienta motorizada, se desequilibran, vibran excesivamente y pueden hacer que se pierda el control.*
7. **No use accesorios dañados. Antes de usar los accesorios debe revisarlos siempre, por ejemplo, la rueda abrasiva para detectar si está descascarada o agrietada, el disco de soporte para detectar si está agrietado, deteriorado o excesivamente desgastado, el cepillo de alambre para detectar alambres sueltos o agrietados. Si se cae la herramienta motorizada o el accesorio, revíselos para detectar si están dañados o coloque un accesorio que no esté dañado. Después de revisar o colocar un accesorio, ubíquese o coloque a las personas que se encuentren en el lugar de manera que queden alejados del plano del accesorio giratorio y haga funcionar la herramienta motorizada a la velocidad máxima sin carga durante un minuto.** *En general, los accesorios que están dañados se rompen durante ese período.*
8. **Use equipo de protección personal. En función de la aplicación, use careta y antiparras o gafas de seguridad. Según corresponda, use máscara antipolvo, protectores auditivos, guantes y delantal para taller que puedan detener los residuos lanzados por las diferentes operaciones.** *La protección ocular debe poder detener los residuos arrojados lanzados por las diferentes operaciones. La máscara antipolvo o el respirador deben poder filtrar las partículas generadas por las operaciones. La exposición prolongada a ruidos de alta intensidad puede causar pérdida de audición.*
9. **Mantenga a las personas que se encuentren en el lugar de trabajo a una distancia segura. Quienes ingresen al lugar de trabajo deben usar equipo de protección personal.** *Es posible que fragmentos de la pieza de trabajo o de un accesorio roto sean lanzados y causen lesiones más allá del lugar inmediatamente cercano al área de operación.*
10. **Sostenga la herramienta motorizada sólo por las superficies de agarre aisladas (manija), cuando realice una operación en la que el accesorio de corte puede tocar cables ocultos o su propio cable.** *Si el accesorio de corte toca un cable "que tiene corriente eléctrica", es posible que las piezas metálicas de la herramienta motorizada "tengan corriente eléctrica" y el operador sufra una descarga eléctrica.*
11. **Ubique el cable de manera que esté alejado del accesorio giratorio.** *Si pierde el control, es posible que el cable se corte o enrede o que su brazo o mano sean jalados hacia el accesorio giratorio.*
12. **Nunca apoye la herramienta motorizada hasta que el accesorio se haya detenido por completo.** *Si el accesorio está girando puede hacer fuerza en la superficie y tirar de la herramienta motorizada haciendo que se pierda el control.*
13. **No haga funcionar la herramienta motorizada mientras la transporta a su lado.** *El contacto accidental con el accesorio giratorio podría engancharle la ropa, jalando el accesorio hacia su cuerpo.*

14. **Limpie periódicamente los orificios de ventilación de la herramienta motorizada.** *El ventilador del motor atraerá polvo hacia el interior del alojamiento y si se acumula demasiado puede generar riesgos eléctricos.*
15. **No opere la herramienta motorizada cerca de materiales inflamables.** *Las chispas podrían encender dichos materiales.*
16. **No use papel para disco de lijado cuyo tamaño sea excesivamente mayor. Respete las recomendaciones del fabricante cuando elija el papel de lijado.** *Si el papel de lijado es de mayor tamaño y se extiende más que el disco de lijado genera un riesgo de desgarramiento y puede hacer que el disco se trabe, deteriore o retroceda bruscamente.*

El retroceso brusco y las advertencias relacionadas

El retroceso brusco es una reacción repentina que se produce cuando hay una rueda giratoria, un disco de soporte o cualquier otro accesorio que están trabados o enganchados. Al estar trabados o enganchados hacen que el disco de soporte giratorio se pare rápidamente, lo cual hace a su vez que la herramienta motorizada sin control sea empujada en la dirección contraria a la rotación del disco de soporte en el punto en que se trabó.

Por ejemplo, si la pieza de trabajo engancha o traba la rueda abrasiva, el borde de la rueda que está ingresando al punto donde se traba puede clavarse en la superficie del material haciendo que la rueda se salga. La rueda puede saltar hacia el operador o en sentido contrario, en función de la dirección del movimiento de la rueda en el punto en que se traba. Las ruedas abrasivas pueden también romperse en estas condiciones.

El retroceso brusco se produce como consecuencia del uso indebido de la herramienta motorizada y de procedimientos o condiciones de operación incorrectos, y se puede evitar tomando las precauciones adecuadas, como se indica a continuación:

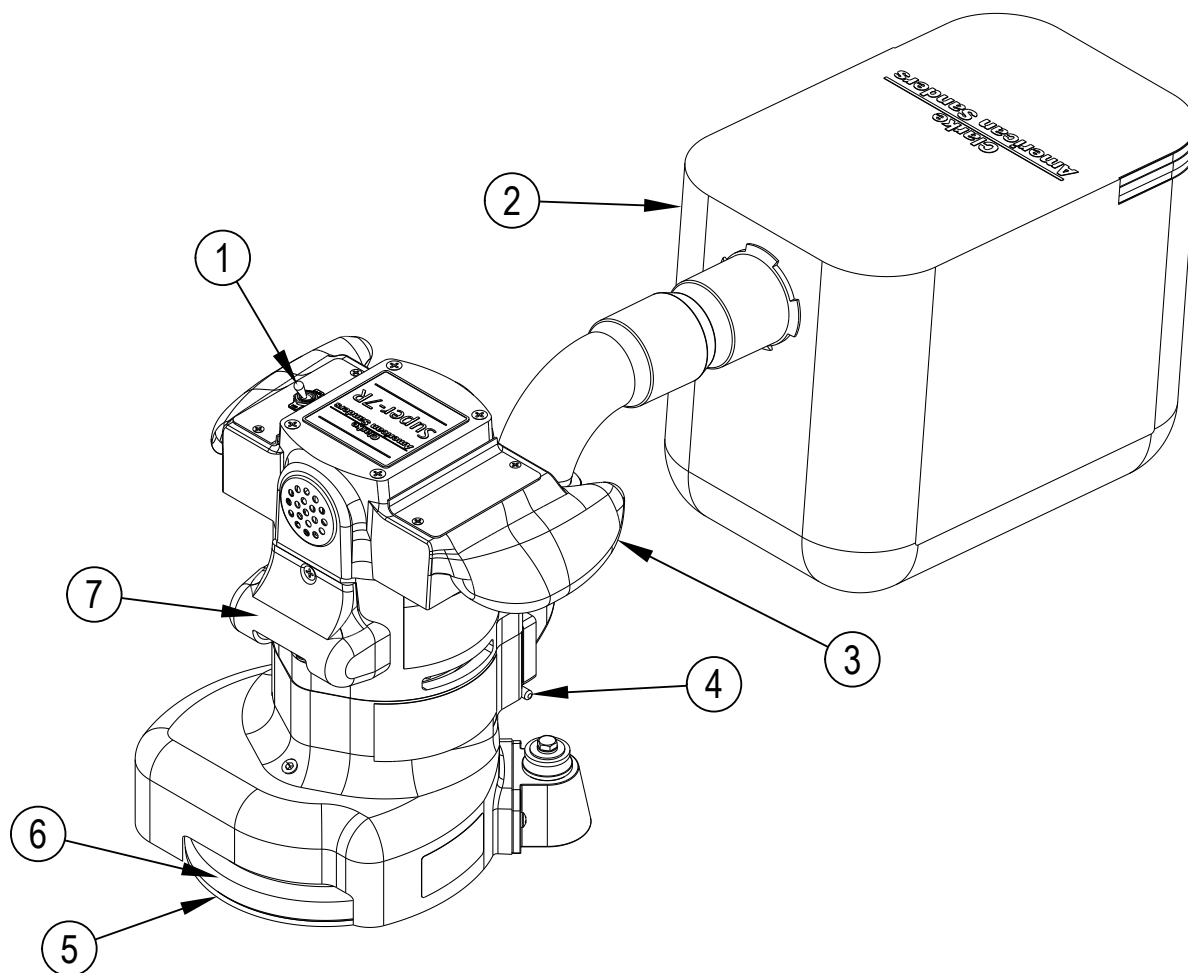
1. **Sostenga firmemente la herramienta motorizada y ubique el cuerpo y los brazos de manera que pueda resistir las fuerzas del retroceso brusco. Use siempre las manijas auxiliares, si está incluida, para controlar al máximo el retroceso brusco o las reacciones de par durante la puesta en marcha.** *El operador puede controlar las reacciones de par o las fuerzas del retroceso brusco, si se toman las precauciones adecuadas.*
2. **No coloque nunca la mano cerca del accesorio giratorio.** *El accesorio puede retroceder bruscamente sobre su mano.*
3. **No ubique su cuerpo en el lugar hacia donde se moverá la herramienta motora si se produce un retroceso brusco.** *El retroceso brusco impulsará a la herramienta en la dirección contraria al movimiento de la rueda en el punto en que se enganchó.*
4. **Sea especialmente precavido cuando trabaje con esquinas, bordes afilados, etc. Evite golpear y enganchar el accesorio.** *Las esquinas, los bordes afilados o los golpes tienden a enganchar el accesorio giratorio y provocar la pérdida del control o un retroceso brusco.*

Normas adicionales para una operación segura

1. **Vacíe con frecuencia la bolsa para polvo o el depósito de recolección de polvo. No deje los residuos de la bolsa para polvo ni los del depósito de recolección de polvo sin atención. Vacíelos siempre en un recipiente metálico no combustible.** *El lijado de la madera o el barnizado producen polvo que puede encenderse automáticamente y causar lesiones o daños. Siga estas precauciones para el almacenamiento.*
2. **Ajuste todos los clavos expuestos. Barra el abrasivo que esté suelto para limpiar el lugar de trabajo. No golpee las tuberías metálicas, etc. con el papel de lijado.** *Si se golpean partículas metálicas o abrasivas con el papel de lijado, se producen chispas que pueden encender el polvo del lijado, lo cual puede causar lesiones o daños.*
3. **No opere la herramienta motorizada si no está totalmente ensamblada. Mantenga todos los ajustes de acuerdo con las especificaciones del fabricante. Mantenga todas las sujeciones apretadas.** *Si se opera una herramienta motorizada que no está totalmente ensamblada, se podrían causar lesiones al operador o a las personas que estén en el lugar, y se podrían dañar los equipos y los lugares circundantes.*
4. **No intente cambiar el papel de lijado cuando la herramienta motorizada esté en marcha.** *El disco de lijado puede engancharle la ropa y causarle lesiones en las extremidades y el papel de lijado en movimiento puede causar quemaduras.*
5. **La herramienta de lijado sólo debe usarse en un sistema eléctrico (red eléctrica) cuya capacidad nominal coincida con los requerimientos eléctricos de dicha herramienta, según se indica en la placa de identificación. Use sólo un sistema conectado a tierra. No haga el servicio de la herramienta motorizada si tiene energía eléctrica o si está conectada a un circuito eléctrico.** *El uso inadecuado puede causar un incendio o una descarga eléctrica.*

CONOZCA SU MÁQUINA

- 1 Interruptor de control
- 2 Bolsa colectora de polvo
- 3 Manijas de funcionamiento
- 4 Llave del abrasivo
- 5 Almohadilla de lijado de goma moldeada y reforzada con acero
- 6 Protección de pared
- 7 Luz de funcionamiento



ESPECIFICACIONES TÉCNICAS

Modelo	07013A	07125A	07098A
Requerimientos eléctricos	115V, 12.0 A, 50-60 Hz	115V ~, 60 Hz	230V, 6.0 A, 50 Hz
Caja de almacenamiento	Estándar	Estándar	Estándar
Motor	1hp	1hp	1hp
Tamaño del abrasivo	Disco de 7" x 7/8" diámetro	Disco de 7" x 7/8" diámetro	Disco de 7" x 7/8" diámetro
Velocidad de disco	2800 RPM	2800 RPM	2800 RPM
Sistema del impulsor de disco	Impulsado por engranaje	Impulsado por engranaje	Impulsado por engranaje
Cable de alimentación	Goma gris 14-3	Goma gris 14-3	Goma gris 14-3
Colector de polvo	Estándar	Estándar	Estándar
Tasa de control del polvo	110 CFM	110 CFM	110 CFM

Cortes de lija y papel de lija

Corte inicial

El propósito del corte inicial es sacar el acabado viejo y las imperfecciones mayores de la superficie del piso. Se debe usar un abrasivo grueso.

Si un corte inicial aparece inmediatamente glaseado, cargado o quemado, seleccione un abrasivo más grueso. Si esto ocurriera durante un corte inicial significa que el abrasivo se ha desgastado y deberá ser reemplazado.

Cortes finales

El propósito de un corte de acabado es eliminar los rayones producidos durante el corte inicial. Utilice un abrasivo de grano fino (60-80 granos).

Si la superficie permanece áspera después de un corte de acabado, puede ser necesario utilizar un abrasivo de grano aún más fino (80 - 100 granos). Se deberá tener cuidado al seleccionar el tamaño del grano del abrasivo. Un grano muy fino cerrará los poros sobre el piso de madera dando lugar a problema de manchas.

Instalación de la máquina

Esta lijadora está diseñada para utilizarse con un sistema colector de polvo remoto mediante vacío o con la bolsa de polvo incluida.

Preparación de los sistemas colectores de polvo remotos mediante vacío

Si desea preparar la máquina para sistemas colectores de polvo remotos mediante vacío que tengan un extremo de manguera de 2", siga este procedimiento:

1. Instale el extremo de manguera de 2" (figura 1, A) directamente sobre el tubo de escape (figura 1, B).
2. El tubo de escape puede girarse para mayor comodidad.

Si desea preparar la máquina para sistemas colectores de polvo remotos mediante vacío que tengan un extremo de manguera de 1 1/2", siga este procedimiento:

1. Instale el adaptador del extremo de manguera de 2" x 1 1/2" (Nº de pieza 30563A) (figura 1, C) sobre el tubo de escape (figura 1, B).
2. Inserte el extremo de manguera de 1 1/2" (figura 1, D) en el adaptador (figura 1, C).

NOTA: Ponga en marcha el sistema colector remoto mediante vacío antes de encender la máquina.

Preparación para usar la bolsa de polvo incluida

Si desea preparar la máquina para su uso con la bolsa de polvo incluida (Nº de pieza 53544B), siga este procedimiento.

1. Instale la bolsa de recolección de polvo presionando el extremo del tubo de escape hasta que el anillo encaje dentro de la ranura (figura 2). El mejor modo de hacer esto es presionando la parte posterior de la abertura de la bolsa con la palma de su mano.
2. El tubo de escape puede girarse para mayor comodidad.
3. Para retirar la bolsa de polvo del tubo de escape, haga palanca hacia arriba en el extremo de la abertura de la bolsa para liberar parcialmente el saliente interno de la ranura, y después tire.
4. Para vaciar la bolsa de polvo, abra la aleta de vaciado y saque sus contenidos dando la vuelta a la bolsa.

NOTA: Para lograr los mejores resultados, vacíe frecuentemente. Siga todas las advertencias incluidas en el manual y en la bolsa de polvo.

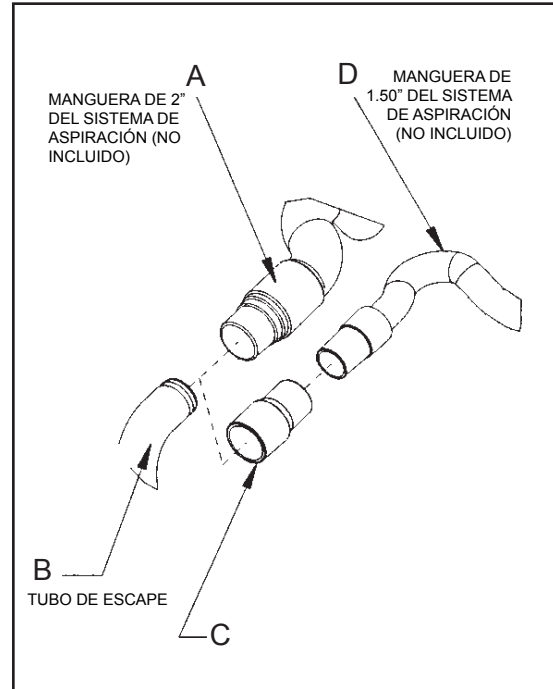


Figura 1

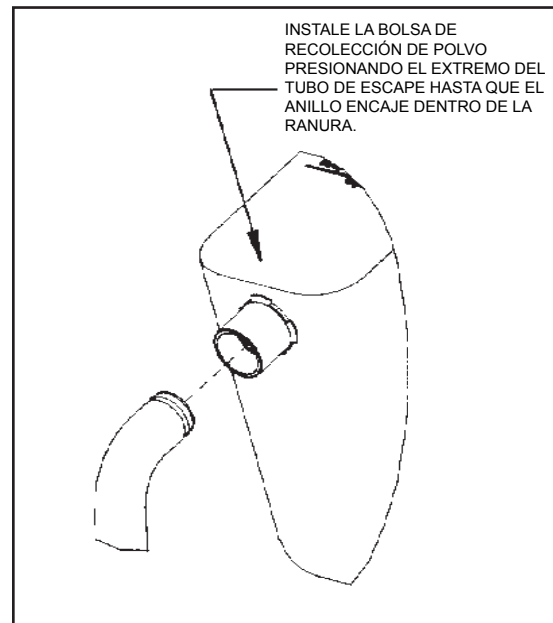


Figura 2

Instalación de la máquina

Preparando la máquina para la operación

1. Veuillez prendre connaissance de l'appareil et lisez toutes les notices de danger, d'avertissements et de mises en garde. Assurez-vous que tous les opérateurs de cet appareil ont bien lu le Manuel de l'utilisateur. S'ils ne sont pas en mesure de lire ce Manuel, ils devront se le faire expliquer entièrement avant d'utiliser la ponceuse.
2. Saque el tornillo y el retenedor del abrasivo. Centre el abrasivo sobre la almohadilla y asegúrelo con el retenedor y el tornillo del abrasivo. (Figura 3)
3. Vuelva a colocar la máquina en posición vertical e inclínala hacia atrás sobre las roldanas pivotantes hasta que se apoye sobre la abrazadera de escape. La máquina estará en posición reclinada. No deje que la máquina permanezca apoyada sobre la almohadilla, especialmente después del uso, ya que de lo contrario se podrá producir el endurecimiento por compresión dentro del elastómero de la almohadilla. Esto creará una parte plana y rebotes durante el uso. (Figura 4)

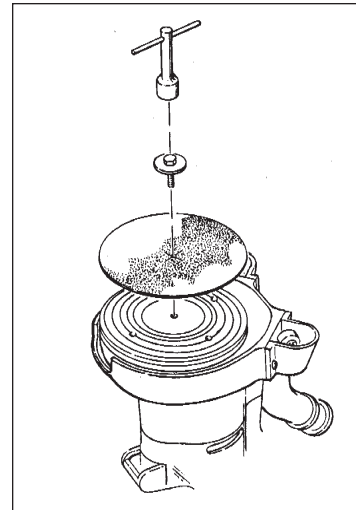


Figura 3

Operación de la máquina

1. Desplace la máquina al lugar de trabajo. Fije cualquier anillo expuesto con martillo y embutidor para evitar que se tope con el abrasivo. Conecte el cable de alimentación a un circuito adecuadamente provisto de toma de tierra y fusibles.

⚠ ADVERTENCIA: Pueden producirse lesiones corporales si se aplica potencia a la máquina con el interruptor de control colocado en la posición "ON" (Encendido). Verifique siempre que el interruptor de control se encuentre en posición "OFF" (Apagado) antes de enchufar el cable de alimentación.

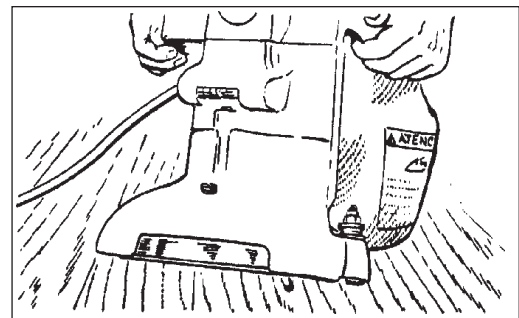


Figura 4

2. Asegúrese de que el interruptor de control esté ajustado en "OFF" (Apagado). Para la posición "OFF" (Apagado), el interruptor se mueve hacia el lado del operador. Vea la marca en el interruptor. Conecte el cable de alimentación al cable eléctrico del motor. (Figura 5)
3. Con la máquina en posición reclinada, tome firmemente las dos manijas y mueva el interruptor de control a la posición "ON" (Encendido). (Figura 4)
4. Baje gradualmente la almohadilla a la superficie destinada a ser lijada. Asegúrese de que la máquina esté en movimiento mientras la almohadilla está engranada con la superficie a lijar. Puede usar un movimiento circular amplio mientras lija a lo largo de la superficie o una combinación de movimientos hacia adelante y hacia los costados. Con el tiempo desarrollará su propia técnica, lo cual le permitirá optimizar la cobertura y la recolección de polvo. Es aconsejable no agregar esfuerzo a la almohadilla ya que esto podría conducir a la "elevación de la parte delantera" o a la "inclinación" y como resultado quedarían ranuras o líneas en la superficie.
5. Al cambiar el abrasivo, vacíe el contenido de la bolsa de polvo o, al terminar el lijado, vuelva a dejar la máquina en la posición reclinada, desactive el interruptor de control en la posición "OFF" (Apagado), luego desconecte el cable eléctrico del motor del cable de alimentación.

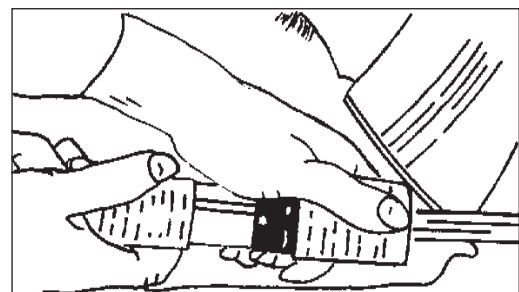


Figura 5

6. Vacíe la bolsa de polvo cada vez que se llene hasta 1/3 de su capacidad.

Operación de la máquina

⚠ PELIGRO: La falta de desconexión del cable de alimentación de la máquina cuando se realiza el servicio de la misma, se cambia el abrasivo o se vacía la bolsa de polvo, podría producir una electrocución o lesiones graves. Nunca deje la máquina sin vigilancia mientras se encuentra conectado el cable de alimentación.

⚠ PELIGRO: Nunca deje la bolsa sin vigilancia cuando haya polvo de lijado en la misma. El polvo de lijado puede auto-encenderse, provocando un incendio o una explosión. Vacíe la bolsa en un recipiente de metal que no contenga ningún material combustible. No vacíe el contenido sobre fuego. No llene la bolsa de polvo en exceso.

Procedimientos de ajuste

Nivelación

Para nivelar la máquina: tome el tornillo de ajuste de la roldana pivotante "A" con una herramienta adecuada (pinzas, etc.). Usando una herramienta similar, afloje la tuerca de seguridad "B" mediante un movimiento en dirección contraria a las agujas del reloj. (Figura 6).

Condición - La almohadilla crea salientes en los dos bordes o se experimenta un "salto": Rote los tornillos de ajuste en igual medida en sentido de las agujas del reloj. Apriete las tuercas de seguridad y pruebe sobre un trozo de madera contrachapada. Repita el procedimiento hasta que se corrija la condición. Recomendamos que no se exceda una rotación de 1/8" en cada intento.

Condición - La almohadilla crea un saliente en la punta de la almohadilla: Rote los dos tornillos de ajuste en sentido contrario a las agujas del reloj, ajuste las tuercas de seguridad y pruebe. Repita el procedimiento hasta que se corrija la condición. Use únicamente una rotación de 1/8 en cada intento.

Condición - La almohadilla crea un saliente sólo en un lado de la almohadilla: Rote el tornillo de ajuste del lado afectado en sentido de las agujas del reloj, o rote el tornillo de ajuste opuesto en dirección contraria a las agujas del reloj, dependiendo de si el saliente termina más allá de la punta de la almohadilla o antes de la misma. Si es antes de la punta, ajuste el lado afectado, y en caso contrario ajuste el lado opuesto.

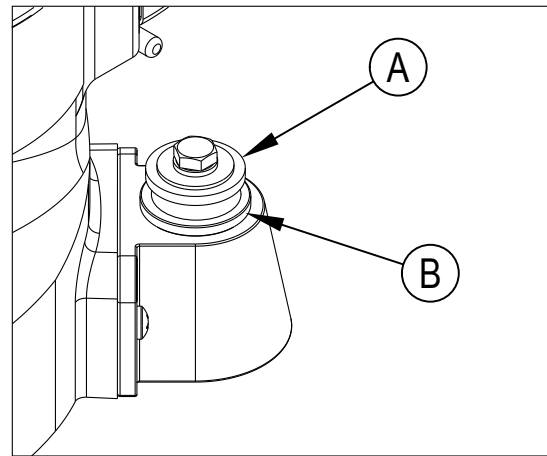


Figura 6

Mantenimiento de rutina

⚠ PRECAUCIÓN: si no se realiza el mantenimiento a los intervalos recomendados la garantía puede quedar invalidada.

Escobillas de carbón

Reemplace las escobillas de carbón por lo menos cada 500 horas y con mayor frecuencia si el uso es intensivo.

Bolsa de polvo

Periódicamente se debe dar vuelta la bolsa de polvo, sacudiéndola enérgicamente y lavándola a máquina en agua fría para evitar que se bloqueen los poros y que pierda su capacidad de recolectar polvo.

Cojinetes

Para asegurar un rendimiento fiable, es necesario inspeccionar los cojinetes del rotor y del impulsor de la almohadilla después de 1500 horas de funcionamiento, a los efectos de detectar desgaste o daños. Si la máquina se utiliza de forma intensiva, los cojinetes se deben cambiar estacionalmente.

Lubricación

La máquina se entrega completamente lubricada. Los engranajes en la caja de engranajes tienen suficiente lubricación para aproximadamente seis meses de funcionamiento normal. Cambie el lubricante por lo menos cada 6 meses y con mayor frecuencia si el uso es intensivo.

Mantenimiento

⚠ PRECAUCIÓN: el mantenimiento y las reparaciones realizados por personal no autorizado podrían producir daños materiales o lesiones personales. El mantenimiento y las reparaciones realizadas por personal no autorizado anularán su garantía. Si no se realiza el mantenimiento a los intervalos recomendados la garantía puede quedar invalidada.

Escobillas de carbón

Inspeccione las cuatro escobillas cada 6 meses ó 250 horas. El acceso a las escobillas se realiza a través de los orificios delanteros y traseros de ventilación del motor y debajo de las dos cubiertas del motor (figura 7). Presione hacia dentro la lengüeta (A) que se encuentra sobre el montaje de la abrazadera con resorte, rótlela y luego retírela (figura 8). Use pinzas de punta de aguja para desconectar el cable de desviación. Si alguna escobilla se desgasta hasta 3/8" de su longitud o más, cambie el conjunto completo.

⚠ PRECAUCIÓN: use únicamente escobillas de motor N° de pieza 40055A ó 40818A con cable de desviación, ya que de lo contrario puede producirse una avería del motor.

Al cambiar las escobillas, asegúrese de que la escobilla se asiente contra el conmutador, el resorte descansa en el entrante de la escobilla, y la escobilla pueda desplazarse libremente. Al volver a colocar la cubierta de los interruptores, mantenga todos los cables separados del conmutador y de cualquier lugar de estrechamiento.

Para cambiar el lubricante en la caja de cambios

Para cambiar el lubricante de la caja de cambios, siga este procedimiento:

1. Dé la vuelta a la máquina sobre un banco.
2. Alinee uno de los dos orificios de la almohadilla de goma con uno de los tres orificios de la protección de pared rotativa.
3. Alinee ambos orificios con uno de los tres tornillos de la cubierta del alojamiento de los engranajes. Retire el tornillo de la cubierta del alojamiento de los engranajes. (Figura 9)
4. Alinee los orificios con cada uno de los otros dos tornillos, y después retire los tornillos.

PRECAUCIÓN: asegúrese de que no entra polvo en la caja de cambios. Se podría dañar la caja de cambios.

5. Saque la cubierta del alojamiento de los engranajes.
6. Saque el lubricante viejo de la caja de cambios.
7. Agregue seis onzas de lubricante American Sanders Technology a la caja de cambios.

PRECAUCIÓN: para evitar daños al motor, no agregue más de seis onzas de lubricante a la caja de cambios.

8. Utilizando los tres tornillos retirados anteriormente, instale la cubierta en el alojamiento de los engranajes.
9. Ponga en marcha la máquina y déjela funcionar durante 15 minutos. Una pequeña cantidad del lubricante que sobra debe salir por el orificio de ventilación. Si no sale nada, puede ser necesario agregar lubricante adicional.
10. Limpie el exceso lubricante y el orificio de ventilación.

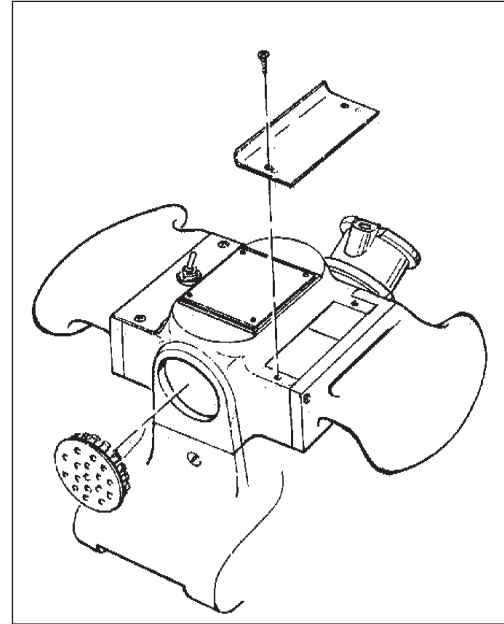


Figura 7

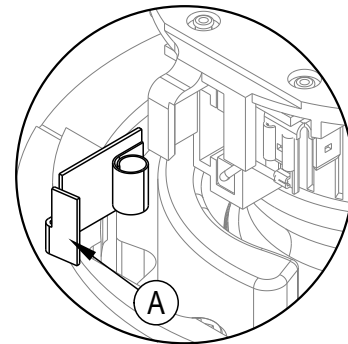


Figura 8

lubricantes

Cantidad	N° de pieza
1 cuarto	16610A
1 galón	16611A

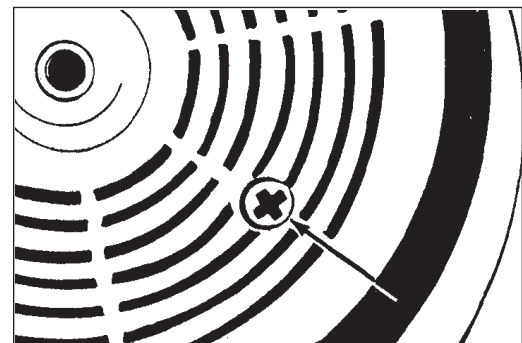


Figura 9

LISEZ CE MANUEL

Ce Manuel contient des informations importantes concernant l'utilisation et le fonctionnement de cette machine dans des conditions de sécurité optimales. La non-lecture de ce manuel avant d'utiliser ou d'entretenir votre machine Clarke American Sanders risque de provoquer un accident ou d'endommager la machine ou son environnement. Vous devez avoir été formé à l'utilisation de cette machine avant de l'utiliser. Si l'opérateur n'est pas en mesure de lire ce Manuel, il devra se le faire expliquer entièrement avant de tenter d'utiliser cette machine.

Toutes les directions données dans ce Manuel le sont par rapport à la position de l'opérateur, à l'arrière de la machine.

Manuel de l'utilisateur - Section I

Consignes de sécurité	23
Caractéristiques de l'appareil	26
Ponçage et papier abrasif.....	27
Préparation de l'appareil.....	28
Utilisation de l'appareil.....	29
Procédure de réglage de la ponceuse.....	30
Entretien	31

Manuel de pièces - Section I.....33-38** AVERTISSEMENT !**

Les Produits vendus avec le présent manuel contiennent ou peuvent contenir des produits chimiques reconnus par certains gouvernements (comme l'État de Californie, par le biais de la proposition de loi d'avertissement réglementaire 65) comme provoquant des cancers, des anomalies congénitales et autres dangers pour la reproduction. Dans certains endroits (comme l'État de Californie), les acheteurs de ces Produits, qui les utilisent sur un lieu de travail ou dans un espace public, ont l'obligation d'apposer certains avis, avertissements ou informations concernant les produits chimiques qui sont ou peuvent être contenus dans les Produits dans ces lieux ou aux alentours de ces lieux de travail. Il incombe à l'acheteur de connaître les dispositions de, et de respecter, toutes les lois et réglementations ayant trait à l'utilisation de ces Produits au sein de tels environnements. Le Fabricant rejette toute responsabilité d'informer les acheteurs concernant des exigences spécifiques qui peuvent s'appliquer à l'utilisation des Produits dans de tels environnements.

CONSIGNES DE SECURITE DESTINEES A L'OPERATEUR



Ce symbole signifie : **reportez-vous au manuel/notice de l'utilisateur**



Ce symbole signifie : **porter des lunettes de protection.**

Consignes de sécurité : Outil électrique

⚠ AVERTISSEMENT : Veuillez lire attentivement tous les avertissements et instructions de sécurité. Le non-respect des avertissements et des instructions peut entraîner un choc électrique, un incendie ou des blessures graves.

Gardez ces instructions et avertissements pour une utilisation future.

Le terme « outil électrique » dans la section avertissements se rapporte à votre outil électrique fonctionnant sur prise murale (filaire) ou sur batterie (sans fil).

Sécurité de la zone de travail

1. **Garder une zone de travail propre et bien éclairée.** Ne pas utiliser votre appareil dans une zone sombre ou en désordre au risque de provoquer un accident.
2. **Ne pas utiliser l'appareil dans une atmosphère explosive, en présence de liquides inflammables, gaz, ou poussière.** Les outils électriques produisent des étincelles risquant d'enflammer les poussières ou vapeurs environnantes.
3. **Tenez l'outil électrique hors de portée des enfants et d'autres personnes lors de son utilisation.** Vous pouvez, si vous êtes distrait, perdre le contrôle de l'appareil.

Sécurité électrique

1. **La prise de l'outil électrique doit correspondre à la prise secteur. Ne jamais tenter d'altérer ou modifier la prise. Ne pas utiliser d'adaptateurs avec des outils électriques reliés à la terre (masse).** Des prises non modifiées/altérées et des prises secteurs correspondantes réduisent le risque de choc électrique.
2. **Éviter le contact du corps avec des surfaces reliées à la terre ou à la masse, comme les tuyaux, radiateurs, cuisinières ou réfrigérateurs.** Il y a un risque accru de choc électrique si le corps est en contact avec la terre ou la masse.
3. **Ne pas exposer les outils électriques à la pluie ou aux conditions d'humidité.** L'infiltration d'eau dans l'outil électrique augmente le risque de choc électrique.
4. **Ne pas altérer le cordon d'alimentation. Ne jamais utiliser le cordon pour soulever, tirer ou débrancher l'outil électrique de la prise secteur. Garder le cordon à distance de la chaleur, d'huile, d'objets tranchants ou en mouvement.** Un cordon endommagé ou emmêlé augmente le risque de choc électrique.
5. **Quand l'outil électrique est utilisé à l'extérieur, utiliser une rallonge spécifique dite « rallonge d'extérieur ».** L'utilisation d'une rallonge d'extérieur réduit le risque de choc électrique.
6. **Si l'utilisation de l'outil électrique dans un endroit humide est rendue inévitable, utiliser un disjoncteur différentiel pour protéger le circuit électrique.** L'utilisation d'un disjoncteur différentiel réduit le risque de choc électrique.

Sécurité personnelle

1. **Restez vigilant, surveillez vos gestes et faites preuve de bon sens lorsque vous utilisez un outil électrique. Ne pas utiliser d'outil électrique en cas de fatigue, sous l'emprise de la drogue, de l'alcool ou de médicaments.** N'oubliez pas qu'il suffit d'une seconde d'inattention pour vous blesser gravement.
2. **Porter un équipement de protection adéquat. Porter des lunettes de protection.** Selon les conditions, portez également un masque anti-poussière, des chaussures antidérapantes, un casque ou des protections auditives pour éviter les risques de blessures corporelles graves.
3. **Éviter tout risque de démarrage intempestif. Toujours vérifier que l'interrupteur est sur OFF avant de brancher l'outil dans la prise de courant, lorsque vous le ramassez ou transportez.** Si vous transportez des outils électriques sur ON avec votre doigt sur l'interrupteur vous risquez d'avoir un accident.
4. **Enlever toute clé ou poignée d'ajustement avant de mettre l'outil électrique sous tension.** Une poignée ou une clé attachée à une pièce rotative de l'outil électrique peut présenter un risque de blessures.
5. **Ne pas basculer l'ensemble. Toujours rester en position fixe et en équilibre lorsque vous utilisez l'outil électrique.** Ceci vous assure un contrôle optimal de l'outil électrique tout en prévenant des situations à risque.
6. **Porter un vêtement approprié. Ne pas porter de vêtements amples ou de bijoux. Éloigner ses cheveux, vêtements et gants des pièces mobiles.** Des vêtements amples, bijoux ou cheveux longs pourraient se prendre dans les pièces mobiles.
7. **Si des dispositifs sont fournis pour l'extraction de la poussière, vérifiez qu'ils sont correctement branchés et utilisés.** L'utilisation d'un collecteur de poussière peut réduire les risques d'endommagement provoqués par la poussière.

Entretien et précautions d'usage de l'outil électrique

1. **Ne pas forcer sur l'outil électrique.** Utiliser l'outil électrique approprié à vos travaux. *L'outil électrique adéquat permettra d'effectuer vos travaux dans de bonnes conditions et en toute sécurité.*
2. **Ne pas utiliser l'outil électrique si l'interrupteur ne peut se mettre consécutivement sur ON et OFF.** *Un outil électrique qui ne peut être contrôlé par son interrupteur est dangereux et doit être réparé.*
3. **Débrancher la fiche de la prise secteur et de l'outil électrique préalablement à tout ajustement, modifications des accessoires ou rangement de l'appareil.** *Grâce à ces mesures de sécurité préventives, vous réduisez le risque d'un démarrage intempestif de l'outil électrique.*
4. **Ranger les outils électriques dans une zone hors de portée des enfants et ne pas autoriser les personnes non familières avec les outils électriques ou les instructions ci-présentes à faire fonctionner l'appareil.** *Les outils électriques sont dangereux entre les mains d'utilisateurs non avertis.*
5. **Entretien des outils électriques.** Vérifier s'il n'y a pas de problèmes de désalignement ou de voilage des pièces mobiles, ou de cassure de pièces et tout autre facteur pouvant affecter le fonctionnement de l'outil électrique. **En cas de dommages, l'outil électrique doit être réparé préalablement à toute utilisation.** *De nombreux accidents ont pour cause un mauvais entretien des outils électriques.*
6. **Utiliser l'outil électrique, ses accessoires et les autres outils en conformité avec les instructions ci-mentionnées, et en tenant compte des conditions de travail et de la nature de la tâche à effectuer.** *L'utilisation de l'outil électrique à des fins différentes de celles prévues peut aboutir à des situations dangereuses.*

Dépannage

Les interventions et dépannages sur les outils électriques doivent être effectués par un technicien qualifié utilisant des pièces de rechange identiques. *Ceci permet de garantir le bon fonctionnement, en toute sécurité de l'outil électrique.*

Consignes de sécurité pour les opérations de ponçage

1. **L'outil électrique est prévu pour fonctionner comme une ponceuse.** **Veillez lire les consignes et instructions de sécurité fournies avec l'outil électrique.** *Le non-respect des instructions ci-dessous peut entraîner un choc électrique, un incendie ou des blessures graves.*
2. **Cet outil électrique n'est pas adapté au meulage, brossage, polissage ou rabotage des surfaces.** *L'utilisation de l'outil électrique à des fins différentes de celles prévues peut aboutir à des situations dangereuses.*
3. **Ne pas utiliser des accessoires qui n'ont pas été conçus, ni recommandés par le fabricant de l'outil.** *Un accessoire attaché à l'outil électrique ne permet pas de garantir un fonctionnement sécurisé.*
4. **La vitesse nominale de l'accessoire doit être au moins égale à la vitesse maximale indiquée sur l'outil électrique.** *Les accessoires fonctionnant à une vitesse supérieure à la vitesse nominale peuvent se briser ou être projetés.*
5. **Le diamètre extérieur et l'épaisseur de votre accessoire doivent correspondre aux capacités de l'outil électrique.** *Les accessoires n'ayant pas les bonnes dimensions ne peuvent pas être contrôlés de manière adéquate.*
6. **Les dimensions des roues de contact, flasques, supports de maintien, ou des autres accessoires doivent correspondre à l'axe de l'outil électrique.** *Les accessoires disposant d'arbre/axe troué qui ne correspondent pas au support de l'outil électrique peuvent perdre l'équilibre, vibrer de manière excessive ou aboutir à une perte de contrôle.*
7. **Ne pas utiliser d'accessoires endommagés.** Avant chaque utilisation, inspecter les accessoires qui peuvent présenter des défauts : **abrasivité des roues provoqué par des éclats ou fissures, fentes/rayures des supports de maintien, déchirure/usure excessive, fils métalliques lâches, tordus ou fissurés.** Vérifier ou remplacer les accessoires en cas de chute de l'outil électrique. **Après inspection ou installation d'un accessoire, positionnez-vous ou les personnes environnantes, hors du plan de rotation des accessoires afin de pouvoir faire fonctionner l'outil à sa vitesse maximale à vide pendant une minute.** *Les accessoires endommagés se disjoignent au cours de cette étape.*
8. **Porter un équipement de protection adéquat.** Selon la surface, utiliser un masque ou des lunettes de protection. **Le cas échéant, porter un masque anti-poussière, des protections auditives, gants et tablier d'atelier qui peuvent faire écran lorsqu'il y a des débris/éclats projetés en cours d'utilisation.** *Les protections oculaires doivent être en mesure de vous protéger des débris/éclats projetés en cours d'utilisation. Le masque anti-poussière ou respirateur doit filtrer les particules émises en cours d'utilisation de l'outil électrique. Une exposition prolongée à de fortes intensités sonores peut provoquer des troubles auditifs.*
9. **Il est nécessaire de garder une distance de sécurité entre l'utilisateur et la zone de travail.** **Toute personne entrant dans la zone de travail doit porter un équipement de protection.** *Des fragments ou éclats peuvent être projetés en cours d'utilisation de l'appareil ce qui peut entraîner de graves blessures.*
10. **En cours d'utilisation, maintenir l'outil électrique uniquement par ses poignées, afin d'éviter tout contact avec les accessoires, des fils dénudés ou le câble d'alimentation.** *Un accessoire tranchant qui entre en contact avec un câble peut exposer des parties métalliques de l'outil électrique et entraîner un choc électrique.*
11. **Isoler les cordons d'alimentation du reste du bloc rotatif.** *En cas de perte de contrôle, les cordons peuvent être entaillés et votre bras ou votre main peut se prendre dans le bloc rotatif.*
12. **Ne jamais poser l'outil électrique en cours de fonctionnement.** *Le bloc rotatif peut entrer en contact avec la surface et aboutir à la perte de contrôle de l'appareil.*
13. **Ne pas utiliser l'outil électrique lorsque vous le transportez sur le côté.** *Un contact accidentel avec le bloc rotatif pourrait accrocher votre vêtement, et projeter l'accessoire sur votre corps.*

14. **Nettoyer régulièrement les conduits d'air des outils électriques.** *Le ventilateur du moteur aspire la poussière à l'intérieur du bloc et toute accumulation excessive peut entraîner des défaillances électriques.*
15. **Ne pas utiliser l'outil électrique à proximité de matériaux inflammables.** *Les étincelles peuvent enflammer ces matériaux.*
16. **Ne pas utiliser un disque de ponçage excessivement grand. Suivre les recommandations du fabricant lorsque vous choisissez du papier à poncer.** *Les papiers à poncer ayant une surface plus importante que les blocs de ponçage peuvent entraîner un risque de lacération et provoquer des déchirures ou accrochages du disque ou un recul.*

Avertissements sur l'effet de recul

L'effet de recul est une réaction soudaine au blocage du pivotement d'une roue, d'un support de maintien ou de tout autre accessoire. Le blocage provoque un décrochage rapide de l'axe de rotation sur son support de maintien, qui à son tour provoque une réaction en sens inverse de l'outil jusqu'au point de reliure.

Par exemple, si une roue abrasive est bloquée par une pièce métallique, le bord de la roue qui est en contact avec le support peut percer la surface du matériau ce qui va faire dévier la roue et la faire remonter ou reculer. La roue peut être projetée en direction ou non de l'utilisateur, selon le sens du mouvement de la roue au point de rupture. Les roues abrasives peuvent également se briser sous ces conditions.

Le phénomène de recul est provoqué par une mauvaise utilisation de l'outil électrique et le non-respect des consignes et procédures de sécurité, il peut être évité en suivant les précautions d'usage ci-dessous.

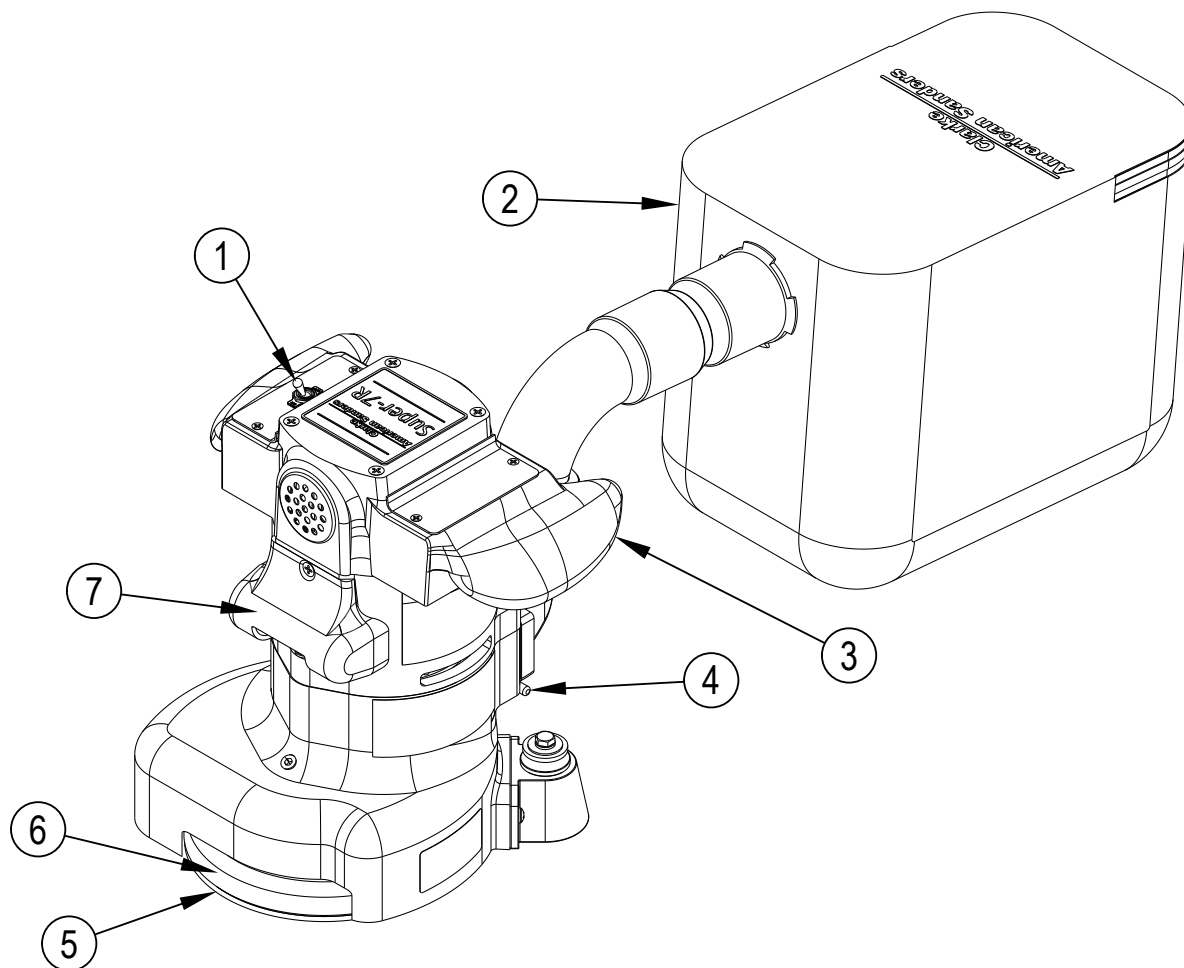
1. **Maintenir fermement l'outil électrique tout en positionnant votre corps et vos bras de sorte à contrer les forces de recul. Si possible, toujours utiliser les poignées auxiliaires pour un contrôle optimal de l'outil électrique et afin d'éviter les effets de recul en cours d'utilisation.** *L'utilisateur peut contrôler les réactions de couple ou les forces de recul, si les précautions nécessaires sont prises.*
2. **Ne jamais placer sa main à proximité du bloc rotatif. Le bloc pourrait rebondir sur votre main.**
3. **Ne pas se positionner dans la zone possible de rebond de l'outil électrique.** *L'effet de recul repoussera l'outil dans le sens opposé au mouvement de la roue jusqu'au point de rupture.*
4. **Prenez vos précautions lorsque vous effectuez des travaux sur les coins ou bords tranchants, etc. Évitez les rebonds ou accrochages avec l'accessoire.** *Les coins, bords tranchants ou rebonds ont tendance à accrocher le bloc rotatif et peuvent entraîner une perte de contrôle ou un recule de l'appareil.*

Règles de sécurité supplémentaires

1. **Vider régulièrement le sac ou le collecteur de poussière. Ne pas laisser de résidus dans le sac ou le collecteur de poussière. Toujours vider dans un réceptacle métallique non-combustible.** *Le ponçage du bois verni peut produire des particules de poussière pouvant s'enflammer et entraîner des blessures graves. Respecter les précautions de stockage ci-dessous.*
2. **Retirer les clous exposés. Retirer/aspirer les particules abrasives présentes sur la zone de travail. Ne pas obturer les tuyaux métalliques, etc., avec du papier à poncer.** *Obturer les ensembles métalliques ou les particules abrasives avec du papier à poncer peut produire des étincelles pouvant enflammer la poussière environnante et entraîner de graves blessures.*
3. **Ne jamais faire fonctionner un outil électrique assemblé partiellement. Conserver les réglages et les spécifications du fabricant. Conserver l'ensemble des attaches fixes.** *L'utilisation d'un outil électrique partiellement assemblé peut causer des blessures à l'utilisateur ou à toute autre personne proche de l'équipement ou dans les environs.*
4. **Ne pas essayer de changer le papier à poncer lorsque l'outil électrique est en cours de fonctionnement.** *Le support du papier à poncer peut accrocher des vêtements et entraîner des blessures corporelles ou abrasions.*
5. **L'outil devrait pouvoir être utilisé uniquement sur un système électrique (secteur) adapté aux besoins électriques de l'outil, comme indiqué sur sa plaque nominative. Utiliser uniquement sur une prise secteur (reliée à la terre). Ne pas utiliser l'outil électrique s'il est branché ou relié à un circuit électrique.** *Une mauvaise utilisation peut provoquer un incendie ou un choc électrique.*

APPRENEZ À CONNAÎTRE VOTRE MACHINE

- 1 Commutateur de commande
- 2 Sac à poussières
- 3 Manettes
- 4 Clé abrasif
- 5 Disque de ponçage en caoutchouc moulé et acier renforcé
- 6 Protection murale
- 7 Eclairage de travail



SPÉCIFICATIONS

Modèle	07013A	07125A	07098A
Spécifications électriques	115V, 12.0 A, 50-60 Hz	115V ~, 60 Hz	230V, 6.0 A, 50 Hz
Sac de rangement	Standard	Standard	Standard
Moteur	1hp	1hp	1hp
Dimensions abrasif	Disque diamètre 17,8 x 2,2 cm	Disque diamètre 17,8 x 2,2 cm	Disque diamètre 17,8 x 2,2 cm
Vitesse du disque	2800 tours/minute	2800 tours/minute	2800 tours/minute
Système porte-disque	à engrenage	à engrenage	à engrenage
Câble d'alimentation	Caoutchouc gris 14-3	Caoutchouc gris 14-3	Caoutchouc gris 14-3
Collecte des poussières	Standard	Standard	Standard
Débit de régulation des poussières	186 m3/heure	186 m3/heure	186 m3/heure

Ponçage et papier abrasif

Premier passage

Le but du premier passage est d'enlever l'ancienne finition et les plus grosses imperfections sur le parquet. Utilisez un papier abrasif à gros grains.

Si des traces de polissage, de surcharge ou de brûlures sont observées dès le début du premier passage, choisissez un abrasif à grains plus gros. Si ces problèmes surviennent durant le premier passage, le papier abrasif est émoussé et doit être remplacé.

Passages finaux

Le but d'un passage final est d'enlever les rayures produites durant le premier passage. Utilisez un papier abrasif à petits grains (60-80 grains).

Si la surface demeure rugueuse après un passage final, il pourrait être nécessaire d'utiliser un papier abrasif à grains plus fins (80-100 grains). La taille des grains abrasifs doit être choisie avec soins. Un grain trop fin risque de refermer les pores du bois, nuisant ainsi à l'absorption ultérieure de la teinture.

Préparation de l'appareil

Cette ponceuse est conçue pour fonctionner équipée d'un système à distance de collecte des poussières par le vide, ou du sac à poussières fourni.

Préparation des systèmes à distance de collecte des poussières par le vide

Pour préparer la machine à l'utilisation d'un système à distance de collecte des poussières par le vide ayant une extrémité de tuyau de 5 cm, procéder comme suit:

1. Monter l'extrémité de tuyau de 5 cm (figure 1, A) directement sur le tuyau d'évacuation (figure 1, B).
2. Il est possible de tourner le tuyau d'évacuation pour plus de commodité.

Pour préparer la machine à l'utilisation d'un système à distance de collecte des poussières par le vide ayant une extrémité de tuyau de 3,80 cm, procéder comme suit:

1. Monter l'adaptateur d'extrémité de tuyau (5 x 3,8 cm- Pièce n° 30563A) (figure 1, C) sur le tuyau d'évacuation (figure 1, B).

2. Introduire l'extrémité de tuyau de 3,80 cm (figure 1, D) dans l'adaptateur (figure 1, C).

NOTE: Faire démarrer le système à distance de collecte par le vide avant de travailler.

Préparation pour utilisation du sac à poussières fourni

Pour préparer la machine à l'utilisation du sac à poussières fourni (Pièce n° 53544B), procéder comme suit:

1. Installez le sac à poussières en appuyant son extrémité sur le tuyau d'évacuation jusqu'à ce que l'anneau se verrouille dans la rainure (figure 2). On y parvient plus facilement en appuyant sur l'arrière de l'ouverture du sac avec la paume de la main.
2. Il est possible de tourner le tuyau d'évacuation pour plus de commodité.
3. Pour retirer le sac à poussières du tuyau d'évacuation, soulever l'extrémité de l'ouverture du sac pour partiellement dégager la nervure interne de la rainure, puis tirer.
4. Pour vider le sac à poussières, ouvrir la fermeture éclair de la trappe d'évacuation des déchets et expulser le contenu en retournant le sac.

NOTE: Pour obtenir les meilleurs résultats, vider fréquemment le sac. Respecter toutes les mises en garde indiquées dans le présent manuel et sur le sac à poussières.

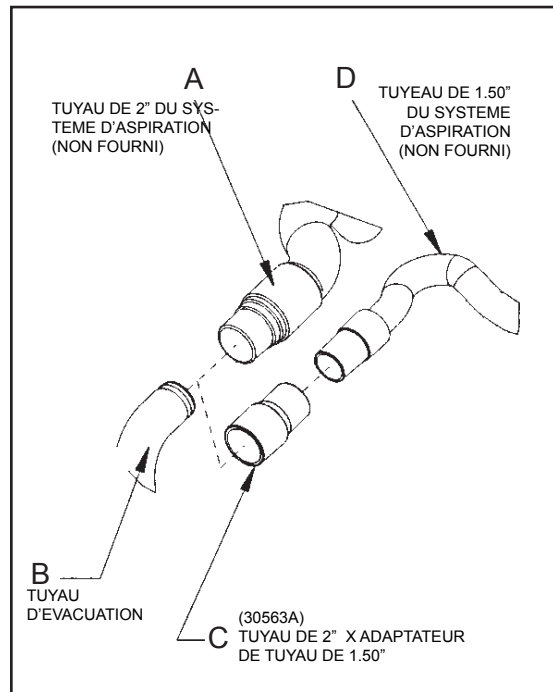


Figure 1

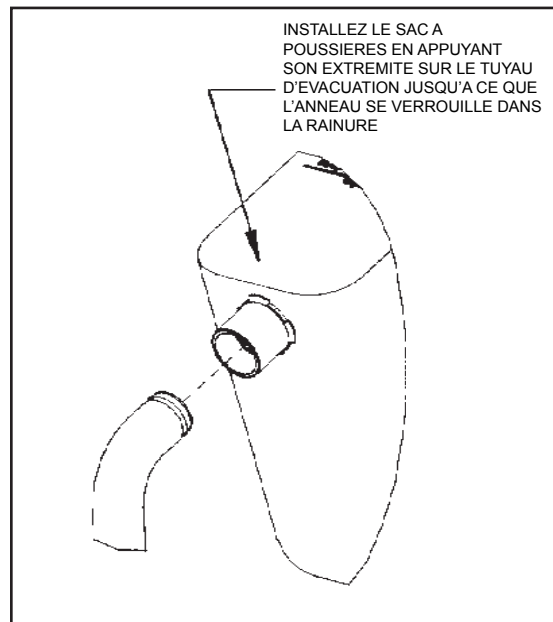


Figure 2

Préparation de l'appareil

La préparation de la machine pour l'opération

1. Veuillez prendre connaissance de l'appareil et lisez toutes les notices de danger, d'avertissements et de mises en garde. Assurez-vous que tous les opérateurs de cet appareil ont bien lu le Manuel de l'utilisateur. S'ils ne sont pas en mesure de lire ce Manuel, ils devront se le faire expliquer entièrement avant d'utiliser la ponceuse.
2. Retirer la vis et la bride retenant l'abrasif. Centrer l'abrasif sur le patin, fixer la bride et visser la vis (Figure 3).
3. Retourner la machine en position verticale et pencher la machine en arrière sur les roulettes jusqu'à ce qu'elle vienne reposer sur le support de l'évacuation. La machine se trouvera en position basculée. Ne pas laisser la machine reposer sur le patin, surtout après utilisation, sinon une déformation sous pression risque de se produire dans l'élastomère du patin. Cela créera un endroit plat et un rebond pendant l'utilisation (Figure 4).

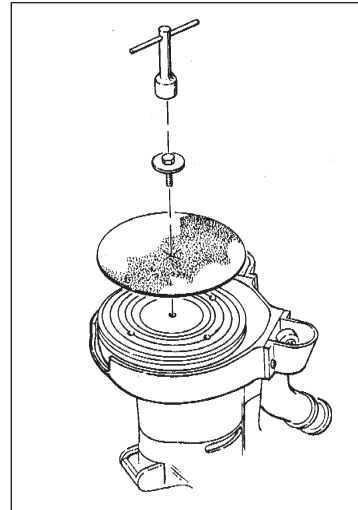


Figure 3

Utilisation de l'appareil

1. Transporter la machine sur le lieu de travail. Repérer tous les clous exposés et les enfoncer avec un marteau pour éviter toute rencontre avec l'abrasif. Brancher le câble d'alimentation sur un circuit adéquat, à fusibles et mis à la terre.

⚠ AVERTISSEMENT : Des blessures corporelles peuvent se produire si la machine est mise sous tension alors que le commutateur de commande se trouve en position "ON" (marche). Toujours vérifier que le commutateur de commande se trouve en position "OFF" (arrêt) avant de brancher le câble d'alimentation.

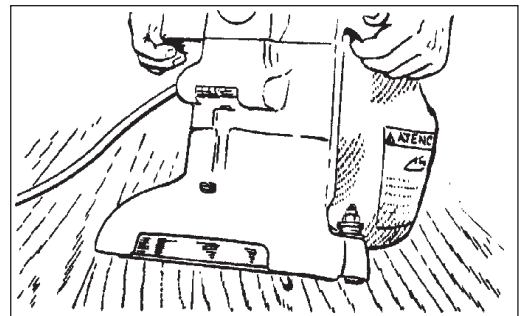


Figure 4

2. Vérifier que le commutateur de commande est sur "OFF". En position "OFF", le commutateur est tourné vers l'opérateur. Voir les marquages sur le commutateur. Raccorder le câble d'alimentation au câble électrique du moteur. (Figure 5)
3. La machine étant en position basculée, saisir fermement les deux poignées et mettre le commutateur de commande sur "ON" (Figure 4).
4. Abaissez graduellement le patin sur la surface à poncer. Assurez-vous que la machine est en mouvement lorsque le patin est en contact avec la surface à poncer. Vous pouvez utiliser un large mouvement circulaire à mesure que vous poncez la surface en longueur, ou vous pouvez utiliser une combinaison de mouvements en avant et sur le côté. Avec le temps, vous mettez au point votre propre technique pour optimiser la couverture et la récupération des poussières. Il est conseillé de ne pas appliquer d'effort sur le patin car cela peut conduire à une "infiltration" ou un "déversement" produisant des stries ou des lignes sur la surface.
5. Pour remplacer l'abrasif, pour vider le contenu du sac à poussière ou lorsque le ponçage est terminé, replacez la machine en position basculée, positionnez le commutateur de commande sur "OFF", puis débranchez le câble électrique du moteur du câble d'alimentation.
6. Videz le sac à poussière lorsqu'il est plein au tiers.

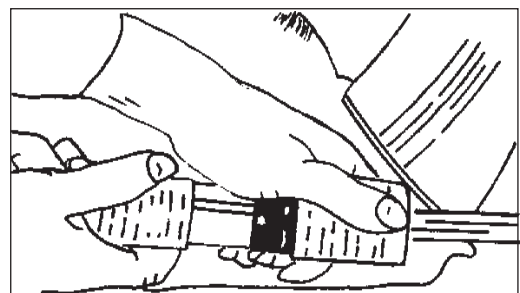


Figure 5

Utilisation de l'appareil

⚠ DANGER: Tout manquement à débrancher le câble d'alimentation de la machine lors de l'entretien, du remplacement de l'abrasif ou du vidage du sac à poussière peut entraîner une électrocution ou de graves blessures. Ne jamais laisser la machine sans surveillance lorsque le câble d'alimentation est branché.

⚠ DANGER: Ne jamais laisser le sac à poussière sans surveillance, avec des poussières de ponçage à l'intérieur. La poussière de ponçage peut s'enflammer spontanément et provoquer un incendie ou une explosion. Vider le sac à poussière dans un conteneur métallique, exempt de matériaux combustibles. Ne pas vider le contenu dans un feu. Ne pas trop remplir le sac à poussière.

Réglage de la ponceuse

Mise à niveau

Pour mettre la machine de niveau : Saisir la vis de réglage "A" située sur la roulette à l'aide d'un outil adapté (pinces, etc.). Avec un outil similaire, dévisser l'écrou "B" en tournant dans le sens antihoraire. (Figure 6)

Situation : Le patin crée des sillons sur les deux côtés ou on rencontre un "sautillement" : Tourner les deux vis de réglage en quantités égales, dans le sens horaire. Serrer les écrous et tester sur un morceau de contreplaqué. Répéter la procédure jusqu'à obtenir la situation correcte. Nous recommandons de ne pas dépasser une rotation de 30 mm à chaque essai.

Situation - Le patin crée un sillon à la pointe du patin : Tourner les deux vis de réglage dans le sens antihoraire, serrer les écrous et tester. Répéter la procédure jusqu'à obtenir la situation correcte. N'utiliser qu'une rotation de 30 mm à chaque essai.

Situation - Le patin crée un sillon sur un seul côté du patin : Tourner la vis de réglage située sur le côté affecté dans le sens horaire, ou tourner la vis de réglage opposée dans le sens anti-horaire, selon que le sillon s'arrête au-delà de la pointe du patin ou avant. S'il se termine avant la pointe, régler le côté affecté, sinon régler le côté opposé.

Entretien

⚠ MISE EN GARDE: Tout manquement à exécuter la maintenance à intervalles réguliers peut annuler la garantie.

Balais de carbone

Faites remplacer les balais de carbone au moins toutes les 500 heures et plus fréquemment en cas d'utilisation intensive.

Sac à poussière

Périodiquement, le sac à poussière doit être tourné sur l'envers, secoué vigoureusement et passé en machine à laver en eau froide pour éviter le bouchage des pores et une perte du contrôle des poussières.

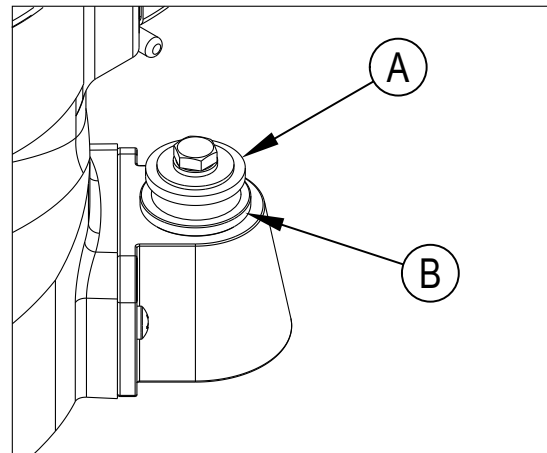


Figure 6

Roulements

Pour garantir des performances fiables, toutes les 1500 heures, il convient d'examiner les roulements de l'armature et du porte-disque pour vérifier l'usure ou l'absence de dégâts. S'ils sont très utilisés, les roulements devront être remplacés de manière saisonnière.

Lubrification

La machine est fournie entièrement lubrifiée. Les engrenages de la boîte d'engrenages ont suffisamment de graisse pour environ six mois de fonctionnement normal. Faites changer la graisse ou moins tous les 6 mois ou plus souvent en cas d'utilisation intensive.

MAINTENANCE

⚠ MISE EN GARDE: La maintenance et les réparations exécutées par un personnel non autorisé peuvent entraîner des dégâts ou des blessures. La maintenance et les réparations exécutées par un personnel non autorisé annuleront la garantie. Tout manquement à exécuter la maintenance à intervalles réguliers peut annuler la garantie.

Balais en carbone

Examiner les quatre balais tous les 6 mois ou toutes les 250 heures. L'accès aux balais s'effectue par les bouchons d'aération avant et arrière du moteur et sous les deux capots du moteur (Figure 7). Appuyer sur la patte (A) située sur l'attache à ressort, tourner puis déposer (Figure 8). Utiliser une pince à bec effilé pour débrancher le fil de dérivation. Si l'un des balais est usé sur une longueur d'un centimètre ou moins, remplacer tout le jeu.

⚠ MISE EN GARDE : N'utiliser que le balai de moteur portant le numéro de pièce 40818A ou 40055A avec fil de dérivation, sinon il se produira une panne de moteur.

Lors du remplacement des balais, s'assurer que le balai est placé contre le commutateur, que le ressort repose dans l'encoche du balai, et que le balai se déplace librement. Lors de la remise en place du couvercle d'interrupteur, dégager tous les fils électriques du commutateur et vérifier l'absence de pincement.

Pour changer le lubrifiant de la boîte d'engrenage

Pour changer le lubrifiant de la boîte d'engrenage, procéder comme suit :

1. Renverser la machine sur un établi.
2. Aligner l'un des deux trous du patin en caoutchouc avec l'un des trois trous de la protection murale rotative.
3. Aligner les deux trous avec l'une des trois vis du couvercle du carter de l'engrenage. Retirer la vis du couvercle du carter de l'engrenage. (Figure 9)
4. Aligner les trous avec chacune des deux autres vis, puis retirer les vis.

MISE EN GARDE: S'assurer qu'aucune poussière ne pénètre dans la boîte d'engrenage. La boîte d'engrenage serait endommagée.

5. Déposer le couvercle du carter de l'engrenage.
6. Eliminer l'ancien lubrifiant de la boîte d'engrenage.
7. Ajouter 170 grammes de lubrifiant SandersTechnology dans la boîte d'engrenage.

MISE EN GARDE: Pour ne pas endommager le moteur, ne pas ajouter plus de 170 grammes de lubrifiant dans la boîte d'engrenage.

8. A l'aide des trois vis retirées précédemment, monter le couvercle sur le carter de l'engrenage.
9. Démarrer la machine et laisser tourner pendant 15 minutes. Un petit excédent de lubrifiant devrait s'écouler du trou d'aération. Si ce n'est pas le cas, il peut être nécessaire d'ajouter du lubrifiant.
10. Essuyer l'excédent de lubrifiant et dégager le trou d'aération.

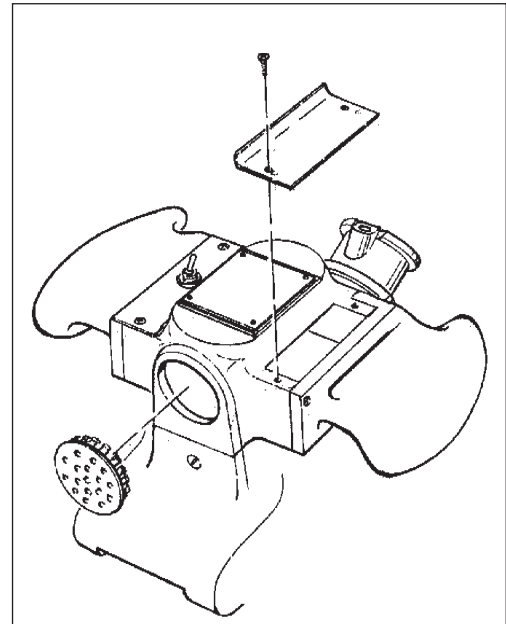


Figure 7

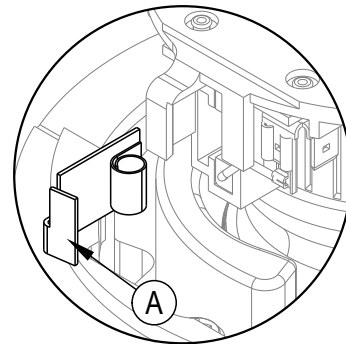


Figure 8

Lubrifiant

Qté	N° Pièce
1 litre	16610A
1 litres	16611A

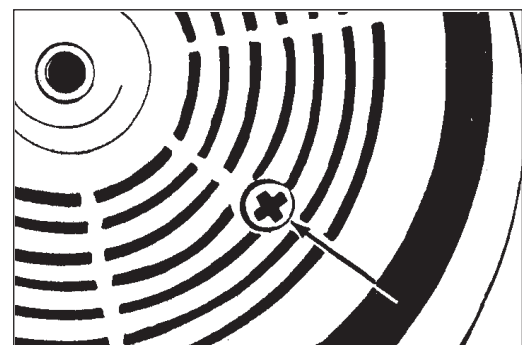


Figure 9

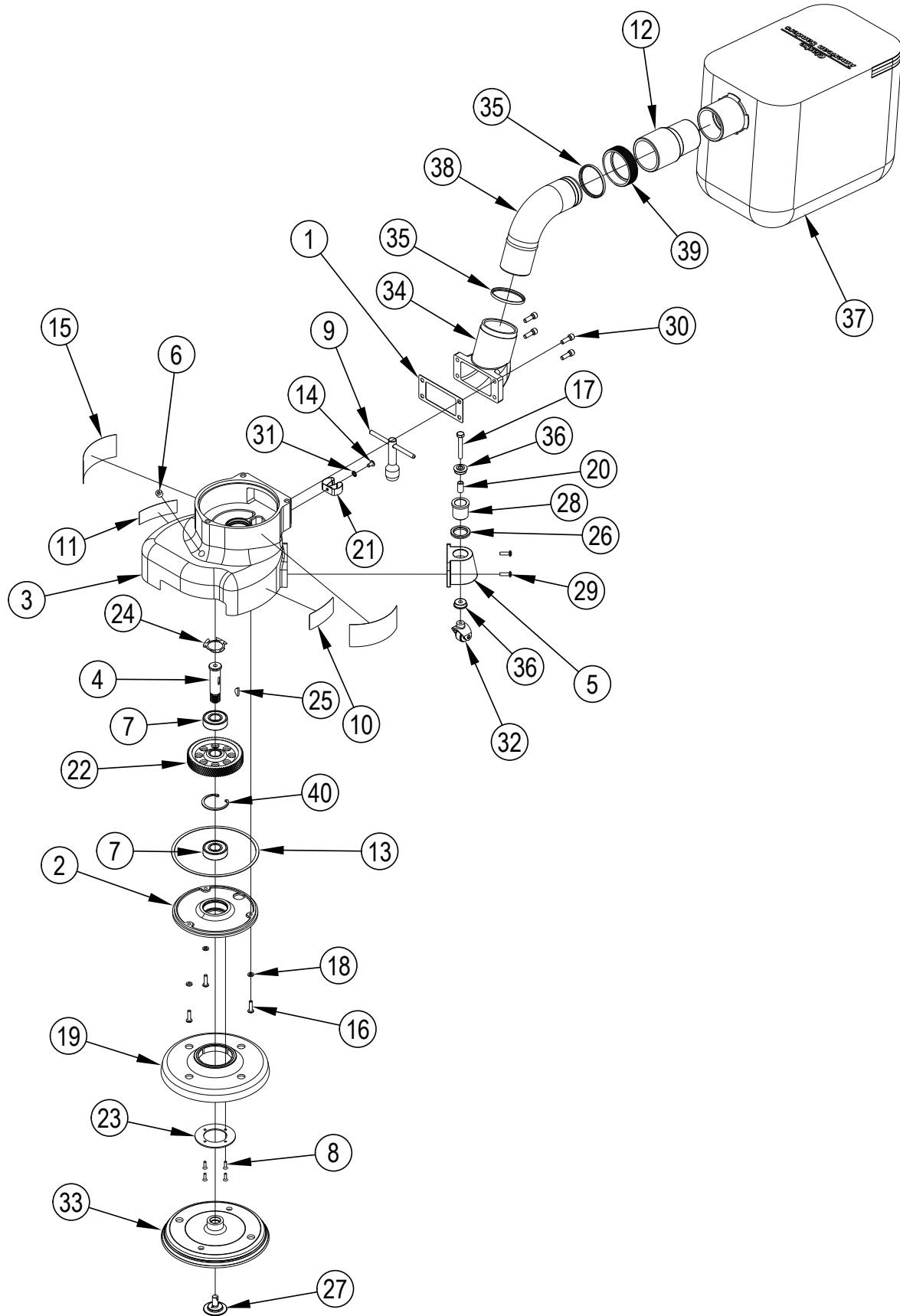
Clarke[®]

American Sanders[®]

Super 7R
Edger
HDTR
Section II
Parts Manual

(56042620)

LOWER ASSY

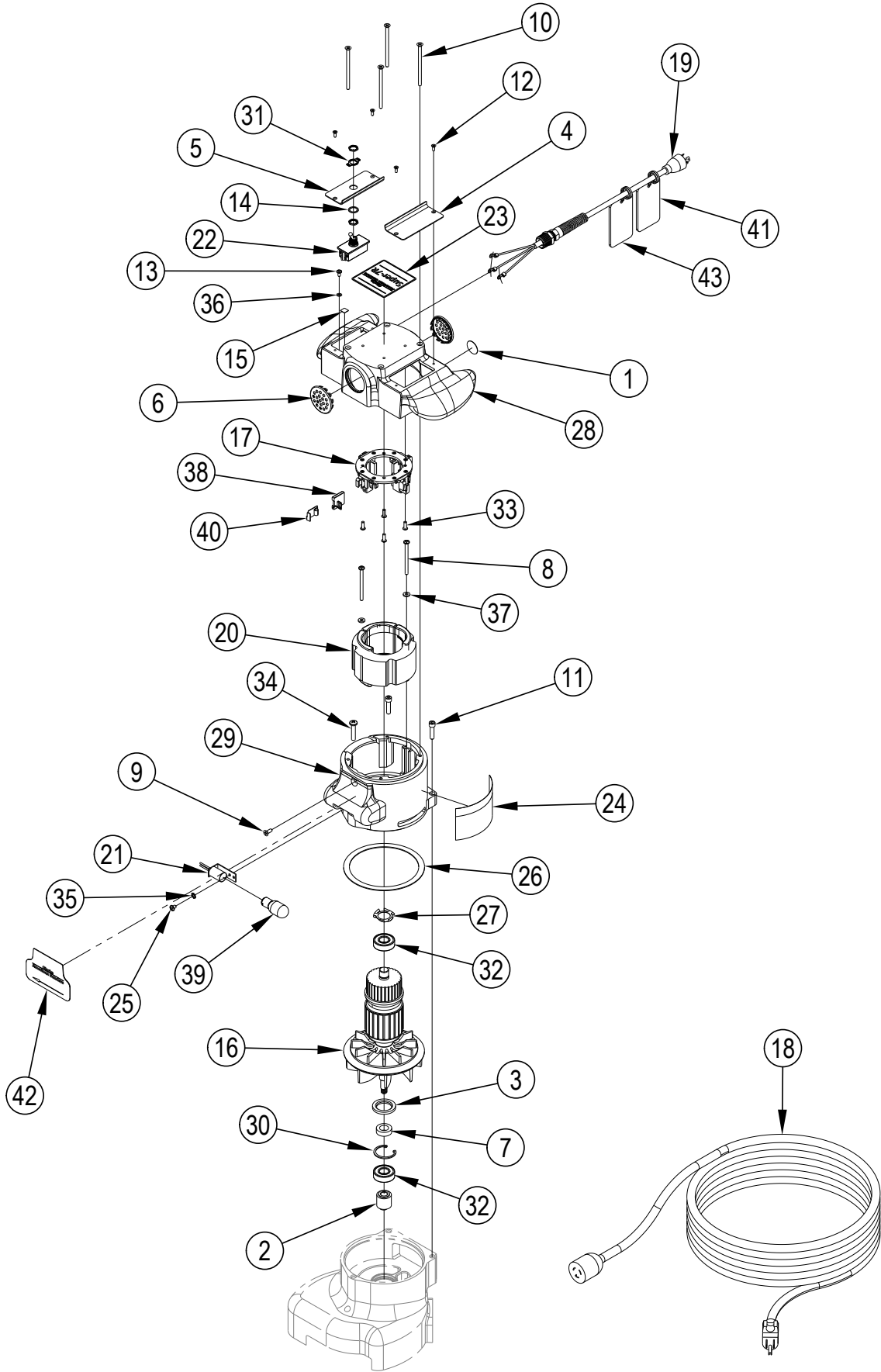


LOWER ASSY

Item	Ref. No.	Qty	Description
1	293406	1	Gasket-Discharge Pipe
2	302306	1	Cover Gr Hsg Assy
3	304204	1	Gear Housing
4	307702	1	Shaft Drive Gear
5	310803	2	Bracket-Caster Support
6	316804	1	Plug Pipe 77e17
7	902550	2	Bearing Ball-6203
8	962974	4	Screw 6-32x1/2 Fh Ph
9	987300	1	Wrench-Paper Clamp Screw
10	56380216	1	Decal Power Tool Cautionary Ma
11	56380639	1	Decal-Prop 65 (07013A & 07125A only)
12	30563A	1	2" X 1.50" Hose Adaptor
13	34232A	1	Gasket-Gear Case Cover
14	962987	1	Scr 10-24 X 3/8 Pn *St Typ23
15	70824A	2	Label HDTR 1.75 X 4 (07013A only)
16	84808A	3	Screw 10-24 X 3/4 Rd Sz Ph
17	85702A	2	Scr 1/4 -20 x 1&3/4 Hx St Cap
18	87609A	3	Washerseal 10neoprene/Stee
19	293616	1	Guard, Disc
20	298215	2	Collar, Spacing
21	302101	1	Clip, Steel 3/8" To 5/8"
22	303502	1	Gear Drive Lh
23	317204	1	Disc Guard Retainer
24	318303	1	Spring, Bearing Load
25	915028	1	Key, 1/8 X 5/8 Woodruff
26	920670	2	Nut, Caster Adj. Lock
27	960125	1	Clamp, Abrasive S-7R
28	960130	2	Screw, Swivel Caster
29	962109	4	Screw, 10-24 X 5/8 Phcr Ss
30	962289	4	Screw, 1/4-20 X 3/4
31	980603	2	Washer, #10 Lock External Tooth
32	10212A	2	Wheel & Yoke Asm
33	21066A	1	Disc, Sanding
34	21077A	1	Exhaust Adaptor
35	30613A	2	Seal, Pipe
36	50740A	4	Bearing Ball 1/4 X 3/4 Shield
37	53544B	1	Bag, Edger
38	61564A	1	Tube, Exhaust
39	80276A	1	Nut-Slip Joint 2 X 2
40	L067304	1	Ring Retaining Internal -156
[]	31407A	1	Super 7R Edger Case
			ACCESSORIES
*	30666A	2	Wheel & Yoke Urethane Edgers
*	10827A	1	Exhaust Conversion Kit S-7R
*	38728A	1	Disc Conv Hook 6-7/8 10ea/BX

[] = Not Shown
 * = Optional, Not Included

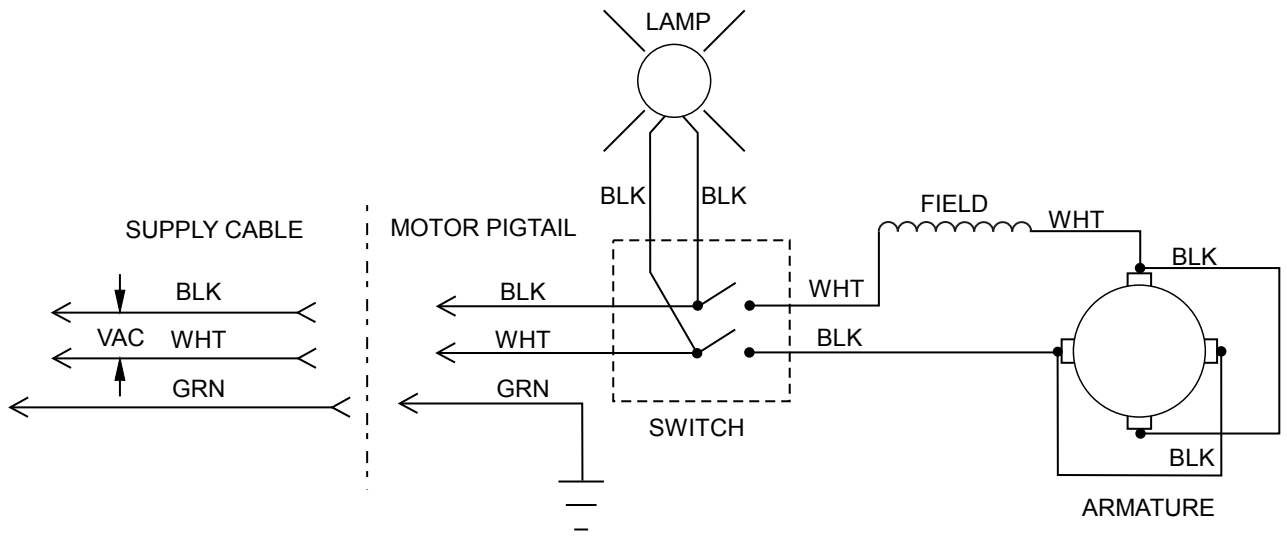
UPPER ASSY



UPPER ASSY

Item	Ref. No.	Qty	Description
1	165106	1	Label-City Of LA Approval (07013A & 07125A only)
2	293514	1	Pinion Armature S7A/R 115/24
3	297604	1	Oil Seal 92
4	302309	1	Cover Motor Brush L H
5	302310	1	Cover Motor Brush R H
6	306802	2	Plug Vent
7	308202	1	Spacer Bearing
8	962211	2	Scr 10-24 x 2-1/2 Rd P St Mach
9	962310	1	Scr 10-24 x 1/2 Ov P St Mach (07013A & 07125A only)
10	962404	4	Screw 10-24 x 3-1/4 Fh St Ph
11	962454	2	Scr 1/4 -20x1 Sc St Cap
12	962545	4	Screw 6-32 X 3/8 Flat Head
13	962550	1	Screw 8-32 x 5/16 Rd St Tp23 Ph
14	980662	1	Washer-Sh 1224-00 Lock
15	77094A	1	Label Ground Symbol
16	10101B	1	Armature Asm With Fan S7A/R (07013A & 07125A only)
	10110A	1	Armature Asm.Super 7R 240V 50 (07098A only)
17	40130A	1	Holder Asm Brush
18	40540A	1	Cordset 12-3 x 40ft 5-15p (07013A only)
	42234A	1	Cord Set Super 7E (07125A only)
	40007A	1	Cordset 50FT W/AU1-10P (07098A only)
19	41960A	1	Cord Interconnecting Super 7 (07013A & 07125A only)
	41947A	1	Cord Power 14-3 14 240V 7 (07098A only)
20	42820A	1	Field & Coil Asm 115V (07013A & 07125A only)
	42819A	1	Field & Coil Asm 240V (07098A only)
21	46902A	1	Socket Assy (07013A & 07125A only)
22	47394A	1	Switch-Dpst 16A 125V
23	70487A	1	Platename Super 7R
24	73285A	1	Label-Warning
25	85393A	1	Screw 10-24 X 1/4 Pn Sz Ph (07013A & 07125A only)
26	293403	1	Gasket Exhaust Fan Baffle
27	298306	1	Spring, Bearing Load
28	302312	1	Cover & Handle Asm Polished
29	304208	1	Housing & Guard Asm (no light guard on 07098A)
30	407302	1	Ring Retain
31	646302	1	Plate-Switch
32	902567	2	Bearing Balldouble Sealed
33	962727	4	Screw, 8-32 X 1/2
34	962988	1	Screw, 1/4-20 X 1 1/4 Phms Ph
35	980603	1	Washer, #10 Lock External Tooth (07013A & 07125A only)
36	980621	1	Washer External Tooth Lock
37	980643	2	Washer 7/16 Od X .036 Thk
38	40818A	4	Brush, Carbon (07013A & 07125A only)
	40055A	4	Brush Carbon (07098A only)
39	40920A	1	Lamp 130V DC Bayonet (07013A & 07125A only)
40	50932A	4	Spring, Brush Holder
41	70175A	1	Tag-Warning Eng-Spn (07013A & 07125A only)
42	70946A	1	Plate Name Arrow (07098A only)
43	70175A-FR	1	Tag-Warning Eng-Frn

WIRING DIAGRAM



CLARKE AMERICAN SANDERS U.S. AND CANADA LIMITED WARRANTY

Amano Pioneer Eclipse, Inc. warrants to the original end user, each new machine, new accessories and genuine replacement parts against defects in material and workmanship under normal use and service. Our obligation under this warranty is limited to repair or replacement of the defective item at our factory or by an Authorized Service Center. Warranty coverage shall begin on the date of purchase by the original end user (as evidenced by your invoice from the factory or Authorized Dealer) or one (1) year from the date the machine was shipped from the factory, whichever is earlier. The warranty registration card must be completed and returned within 30 days of purchase. The warranty coverage period is specified below.

GROUP	Parts ^{1,2}	Labor ²
Big Machines (belt and drum)	1 year	1 year
Rotary Sanders	5 years	5 years
Dust Control Vacs ⁴	2 years	2 years
Edger, Orbital, 3DS	1 year	1 year
Power Booster	2 years	2 years
Accessories/Replacement Parts ³	90 Days	
EXCEPTIONS		
NOTES: 1-Parts repaired or replaced are guaranteed for the remainder of the original machine warranty period. 2-Coverage only applicable to products sold and used in the United States and Canada. 3-Applies to replacement parts only after machine warranty coverage has expired. 4-Backplates on are warranted for the life of the machine		

This warranty shall not apply to repairs resulting from accidents or misuse, damage in transit, overloading the capacity of the machine, failure due to lack of proper maintenance or care as described in the operating and maintenance instructions. Minor adjustments, such as tightening of screws or bolts not connected with the replacement of parts, are not covered. Replacement of expendable wear items such as scrub brushes, pad holders, carbon motor brushes, bulbs, bags, filters and various rubber/plastic parts are also not covered. Repairs or alterations by an organization other than the factory or an Authorized Service Center are not covered and will void any Amano Pioneer Eclipse, Inc. warranty as to the parts or systems repaired or altered by a non-authorized organization.

THERE ARE NO WARRANTIES THAT EXTEND BEYOND THE DESCRIPTION OF THE LIMITED WARRANTIES STATED WITHIN. NO OTHER WARRANTY, EXPRESSED OR IMPLIED, INCLUDING BUT NOT LIMITED TO ANY IMPLIED WARRANTY OF MERCHANTABILITY OR FITNESS FOR A PARTICULAR PURPOSE, IS MADE EXCEPT AS EXPRESSLY STATED HEREIN. ANY STATUTORY IMPLIED WARRANTIES, INCLUDING ANY WARRANTY OF MERCHANTABILITY OR FITNESS FOR A PARTICULAR PURPOSE, THAT ARE IMPOSED BY LAW DESPITE THE EXPRESS LIMITATION OR WARRANTIES ABOVE, ARE EXPRESSLY LIMITED TO THE DURATION OF THE WRITTEN WARRANTY. BUYER UNDERSTANDS, ACKNOWLEDGES AND AGREES THAT THE REMEDIES PROVIDED UNDER THIS LIMITED WARRANTY ARE THE SOLE AND EXCLUSIVE REMEDIES AVAILABLE TO THE BUYER. AMANO PIONEER ECLIPSE, INC. WILL NOT BE LIABLE FOR ANY OTHER OR ADDITIONAL DAMAGES, INCLUDING BUT NOT LIMITED TO INDIRECT, SPECIAL OR CONSEQUENTIAL DAMAGES ARISING OUT OF OR IN CONNECTION WITH THE FURNISHING, PERFORMANCE, USE OF OR INABILITY TO USE THE MACHINE. ANY EXTENSIONS OF OR MODIFICATIONS MADE TO THIS WARRANTY BY A DEALER/DISTRIBUTOR OF Amano Pioneer Eclipse, INC. ARE THE SOLE RESPONSIBILITY OF THE DEALER/DISTRIBUTOR.

All transportation or shipping charges resulting from the return of machines, parts, or accessories shall be the responsibility of the end-user. When returning, please provide an explanation of the problem and include the serial number of the machine as well as the name of the selling organization. The Technical Service department of the authorized Dealer Service Center or the factory will investigate and then contact you.

Transportation of hazardous waste or contaminated equipment is subject to various laws and regulations. In returning machines, parts, or accessories under this limited warranty, the end user must certify in writing that the machines, parts or accessories being returned have not been used for handling, clean up, or disposal of hazardous waste or hazardous materials including but not limited to such things as asbestos, anthrax etc. or if the machines, parts or accessories being returned have been used for handling, clean up, or disposal of hazardous waste or hazardous materials, then the end user must have the machines, parts or accessories decontaminated by licensed and qualified decontamination professionals and provide written certification of this decontamination signed by the decontamination professionals. These machines, parts or accessories are to be returned only to the local Amano Pioneer Eclipse, Inc. Authorized Service Center for Warranty service along with decontamination certification.

Amano Pioneer Eclipse, INC. Reserves the right to change its warranty policy without notice.

Clarke®
American Sanders®

Amano Pioneer Eclipse
 1 Eclipse Rd
 Sparta, NC 28675
 336-372-8080
 800-334-2246

www.pioneereclipse.com
www.americansanders.com