

# **CLASSEN<sup>®</sup>**

# **SOD CUTTER**



Model SC-18 shown  
Modelo SC-18 ilustrado

## **OPERATOR'S / PARTS MANUAL**

**SC-12/5.5 - S.N. 000405 & UP; SC-12/8.0 - S.N. 000139 & UP**

**SC-16/5.5 - S.N. 000105 & UP; SC-18/5.5 - S.N. 004713 & UP**

**SC-18/8.0 - S.N. 000503 & UP; SC-20/5.5 - S.N. 000152 & UP**

**SC-20/8.0 - S.N. 000182 & UP; SC-24/8.0 - S.N. 000178 & UP**

## **CORTADOR DE TEPE MANUAL DEL OPERADOR/PIEZAS**

**SC-12/5.5 - S.N. 000405 Y SIG; SC-12/8.0 - S.N. 000139 Y SIG**

**SC-16/5.5 - S.N. 000105 Y SIG; SC-18/5.5 - S.N. 004713 Y SIG**

**SC-18/8.0 - S.N. 000503 Y SIG; SC-20/5.5 - S.N. 000152 Y SIG**

**SC-20/8.0 - S.N. 000182 Y SIG; SC-24/8.0 - S.N. 000178 Y SIG**

Schiller-Pfeiffer, Inc.

1028 Street Road • Southampton, PA 18966

Telephone: 1-800-366-6268 • Teléfono: + (877) 596 6337

## TABLE OF CONTENTS

INTRODUCTION . . . . .	1
Thank You . . . . .	1
Read This Manual . . . . .	1
Warranty . . . . .	1
Measurements . . . . .	1
Serial Numbers . . . . .	1
Directions . . . . .	1
OWNER'S RECORD . . . . .	1
PRE-DELIVERY CHECK LIST . . . . .	1
DELIVERY CHECK LIST . . . . .	1
SAFETY . . . . .	2
Handle Fuel Safely - Avoid Fires . . . . .	2
Read Safety Signs . . . . .	2
Operate Safely . . . . .	2
Protect Children . . . . .	2
Avoid Tipping . . . . .	2
Operate Safely On Slopes . . . . .	2
Practice Safe Maintenance . . . . .	2
Start Engine Safely . . . . .	2
ENGINE STARTING PROCEDURES . . . . .	2
Engine Oil Level Check . . . . .	2
Transmission Oil Level Check . . . . .	2
Starting Engine . . . . .	2
Stopping Engine . . . . .	2
OPERATING THE SOD CUTTER . . . . .	3
Preparation . . . . .	3
Operating . . . . .	3
BLADE ANGLE (PITCH) . . . . .	3
GENERAL MAINTENANCE . . . . .	3
TROUBLESHOOTING CHART . . . . .	4
SOD CUTTER PARTS MANUAL . . . . .	5
Main Frame . . . . .	6
Power Train Assembly . . . . .	7
Handle Assembly . . . . .	8
TWO YEAR LIMITED WARRANTY . . . . .	10

## ÍNDICE

INTRODUCCIÓN . . . . .	11
Gracias . . . . .	11
Lea este manual . . . . .	11
Garantía . . . . .	11
Mediciones . . . . .	11
Números de serie . . . . .	11
Instrucciones . . . . .	11
REGISTRO DEL PROPIETARIO . . . . .	11
LISTA DE COMPROBACIÓN ANTERIOR A LA ENTREGA . . . . .	11
LISTA DE COMPROBACIÓN DE ENTREGA . . . . .	11
SEGURIDAD . . . . .	12
Manipule el combustible con cuidado – Evite los incendios . . . . .	12
Lea los letreros de seguridad . . . . .	12
Haga funcionar de forma segura . . . . .	12
Proteja a los niños . . . . .	12
Evite los vuelcos . . . . .	12
Haga funcionar de forma segura en pendientes . . . . .	12
Practique un mantenimiento seguro . . . . .	12
Arranque el motor de forma segura . . . . .	12
PROCEDIMIENTOS DE ARRANQUE DEL MOTOR . . . . .	12
Compruebe el nivel de aceite del motor . . . . .	12
Compruebe el nivel de aceite de la transmisión . . . . .	12
Arranque del motor . . . . .	12
Parada del motor . . . . .	12
CÓMO HACER FUNCIONAR EL CORTADOR DE TEPE . . . . .	13
Preparación . . . . .	13
Operación . . . . .	13
ÁNGULO DE LA HOJA (INCLINACIÓN) . . . . .	13
MANTENIMIENTO GENERAL . . . . .	13
TABLA DE LOCALIZACIÓN Y RESOLUCIÓN DE PROBLEMAS . . . . .	14
MANUAL DE PIEZAS DEL CORTADOR DE TEPE . . . . .	15
Bastidor principal . . . . .	16
Conjunto del sistema de transmisión . . . . .	17
Conjunto de manillar . . . . .	18
GARANTÍA LIMITADA DE DOS AÑOS . . . . .	20

# INTRODUCTION

## THANK YOU

Thank you for purchasing the Classen Model SC-20, SC-18, or SC-12 sod cutter.

## READ THIS MANUAL

Read this manual carefully to learn how to operate sod cutter correctly. Failure to do so could result in personal injury or equipment damage.

This manual should be considered a permanent part of your sod cutter and should remain with it if you sell it.

## WARRANTY

Refer to back page.

## MEASUREMENTS

U.S. units of measure are used in this manual.

## SERIAL NUMBERS

Write frame and engine serial numbers, plus model numbers in "Owners Record" section below. Your dealer needs these numbers when you order parts. The serial number is located on a sticker on the center section of the frame.

## DIRECTIONS

"Right Hand" and "Left Hand" sides of the sod cutter are determined by facing the back of the sod cutter as you would operate the machine.

# OWNER'S RECORD

DATE PURCHASED \_\_\_\_\_

SOD CUTTER MODEL NUMBER \_\_\_\_\_

SOD CUTTER SERIAL NUMBER \_\_\_\_\_

ENGINE MODEL NUMBER \_\_\_\_\_

ENGINE SERIAL NUMBER \_\_\_\_\_

# PRE-DELIVERY CHECK LIST

Check the following before you deliver the sod cutter to the customer.

1. Guards and shields fastened in place.
2. Decals fastened and legible.
3. Tire pressure.
4. Gas lever on engine turned on.
5. All eight lubrication points greased.
6. 2:1 gearbox oil level.
7. Engine oil level.
8. Air cleaner.
9. Touch up scratches.
10. Chain tight.
11. Engine belt tight.
12. Levers working properly.
13. All controls.
14. Add fuel, start engine, test run.

DATE SET UP \_\_\_\_\_ / \_\_\_\_\_ / \_\_\_\_\_

# DELIVERY CHECK LIST

Review the operators manual with the customer.

Explain the following:

1. Classen Mfg., Inc. warranty.
2. Safe operation and service.
3. How to use controls.
4. Operating the machine correctly.
5. Transporting the sod cutter.
6. Correct fuel and lubricants.
7. Daily and periodic inspections.
8. Changing oil after break-in period.
9. Servicing the sod cutter regularly and correctly.
10. Classen Mfg., Inc. parts and service.
11. Give the customer the operators manual and encourage customer to read it.

DATE DELIVERED \_\_\_\_\_ / \_\_\_\_\_ / \_\_\_\_\_

SIGNATURE \_\_\_\_\_

# SAFETY

## HANDLE FUEL SAFELY - AVOID FIRES

Handle gasoline with care; it is highly flammable. Use an approved gasoline container.

Fill the fuel tank outdoors.

DO NOT fill tank completely full.

DO NOT smoke while you fill fuel tank.

DO NOT remove gas cap if engine is running.

## READ SAFETY SIGNS

Carefully read and follow all caution stickers.



**ALL GUARDS MUST BE IN PLACE  
WHILE MACHINE IS IN OPERATION**



**KEEP HANDS & FEET AWAY  
FROM MOVING PARTS**

## OPERATE SAFELY

Carefully read this manual and operate sod cutter correctly.

## PROTECT CHILDREN

Keep children and pets out of the area where you are cutting sod.

## AVOID TIPPING

Make sure you do not get too close to sharp drop-offs to avoid tipping sod cutter over.

## OPERATE SAFELY ON SLOPES

You may cut sod any direction on slopes, however, make sure you do this carefully. Cutting on slopes can be dangerous. To avoid any accidents, make sure to leave yourself room to correct the problem if one arises. Always park your sod cutter on level ground.

## PRACTICE SAFE MAINTENANCE

Keep all machine parts in good condition and fastened in place. Fix damages immediately. Replace worn or broken parts. Whenever you work on the sod cutter, disconnect spark plug wire.

## START ENGINE SAFELY

Make sure hands and feet are out of the way of moving parts when starting engine.

# ENGINE STARTING PROCEDURES

NOTICE: There are two locations on this engine that require oil, both the crankcase and the transmission (gearbox). Running the engine or gearbox with a low oil level can cause engine damage. Refer to the engine manual for complete engine information and recommendations.

## ENGINE OIL LEVEL CHECK

1. BEFORE CHECKING ENGINE:
  - make certain the engine is level
  - the engine switch is in the OFF position
  - the sod cutter blade is NOT engaged
  - the drive wheels are disengaged.
2. Remove the filler cap/dipstick and wipe it clean.
3. Insert and remove the dipstick without screwing it into the filler neck. Check the oil level shown on the dipstick.
4. If the oil level is low, fill to the edge of the oil filler hole with the recommended oil. SAE 10W-30 is recommended for general use. Refer to engine oil recommendations in engine manual for other viscosities and information.
5. Screw in the filler cap/dipstick securely.

## TRANSMISSION OIL LEVEL CHECK

1. Check the transmission oil level with the engine stopped and in a level position.
2. Remove the filler cap/dipstick and wipe it clean.
3. Insert and remove the dipstick without screwing it into the filler hole. Check the oil level shown on the dipstick.
4. If the oil level is low, add oil to reach the upper limit mark on the dipstick. Use the same oil that is recommended for the engine, SAE 10W-30.
5. Screw in the filler cap/dipstick securely.

## STARTING ENGINE

1. Turn fuel cock to the "open" position.
2. Turn choke on (closed).
3. Turn ignition switch to "on".
4. Move throttle lever on engine to half throttle position.
5. Pull recoil starter rope until engine starts.
6. After engine is warm, turn off choke (open).
7. Allow engine to run one minute before cutting sod.
8. Check engine rpm setting before operating. DO NOT exceed 3600 rpm.

## STOPPING ENGINE

1. Turn throttle to "slow" position.
2. Turn off ignition switch.

# OPERATING THE SOD CUTTER

## PREPARATION

1. Police lawn area for obstacles and debris (i.e. sprinklers, hoses, toys, etc.). Remove all items.
2. Make sure underground sprinkler heads and other hidden obstacles are marked to prevent damage.
3. Mark other areas where sod cutting will be a problem or too risky (i.e. mud, tree roots, steep hills).

## OPERATING

1. Start the engine. **CAUTION:** To avoid injury, do not place your feet or other body parts under the blade while starting the engine.
2. Select the correct cutting depth desired up to 2 1/2 inches. Loosen the tee handle from the depth gauge plate, located under the height adjustment bar, (#3 on illustration) and put it to the correct height setting. Tighten the tee handle.
3. Push the wheel drive handle (#5 on illustration) and the cutter blade handle (#4 on illustration) to the "on" position toward the engine.
4. Raise the main handle upward so the front nose of the sod cutter rests on the ground.
5. Loosen the 1/2" handle nut (#2 on illustration) and lower the height adjustment bar to rest on the depth gauge. Now tighten the 1/2" handle nut securely so it will not loosen with the vibration of the machine.
6. Go to the back of the machine and lower the handle until the cutting blade rests on the ground. You are now ready to cut sod.
7. Turn the throttle to the desired operating speed by twisting the throttle control (#6 on illustration) toward you. Maximum engine rpm is recommended for smooth operation.
8. After cutting a short distance, stop machine by letting the twist grip throttle control go back to its original position. Check thickness of cut and adjust if necessary.
9. At the end of each cutting pass, lift up on the handle bar to clear the cutting blade from the sod. Retard the throttle control and turn machine around into the position for the next cut.
10. When finished cutting sod, reverse steps 6 through 3, leaving the wheel drive handle on for transportation.

# BLADE ANGLE (PITCH)

Under normal operating conditions, the blade angle is slight (blade bottom is flat). In extremely hard soil or when cutting with a dull blade, the blade may want to ride out of the ground. At this time, it may help to angle the blade down. A short trial run will indicate what blade angle is best. To do this, you will loosen the pitch adjustment bolt (#7 on illustration) and move it slightly toward the engine, then retighten bolt and nut.

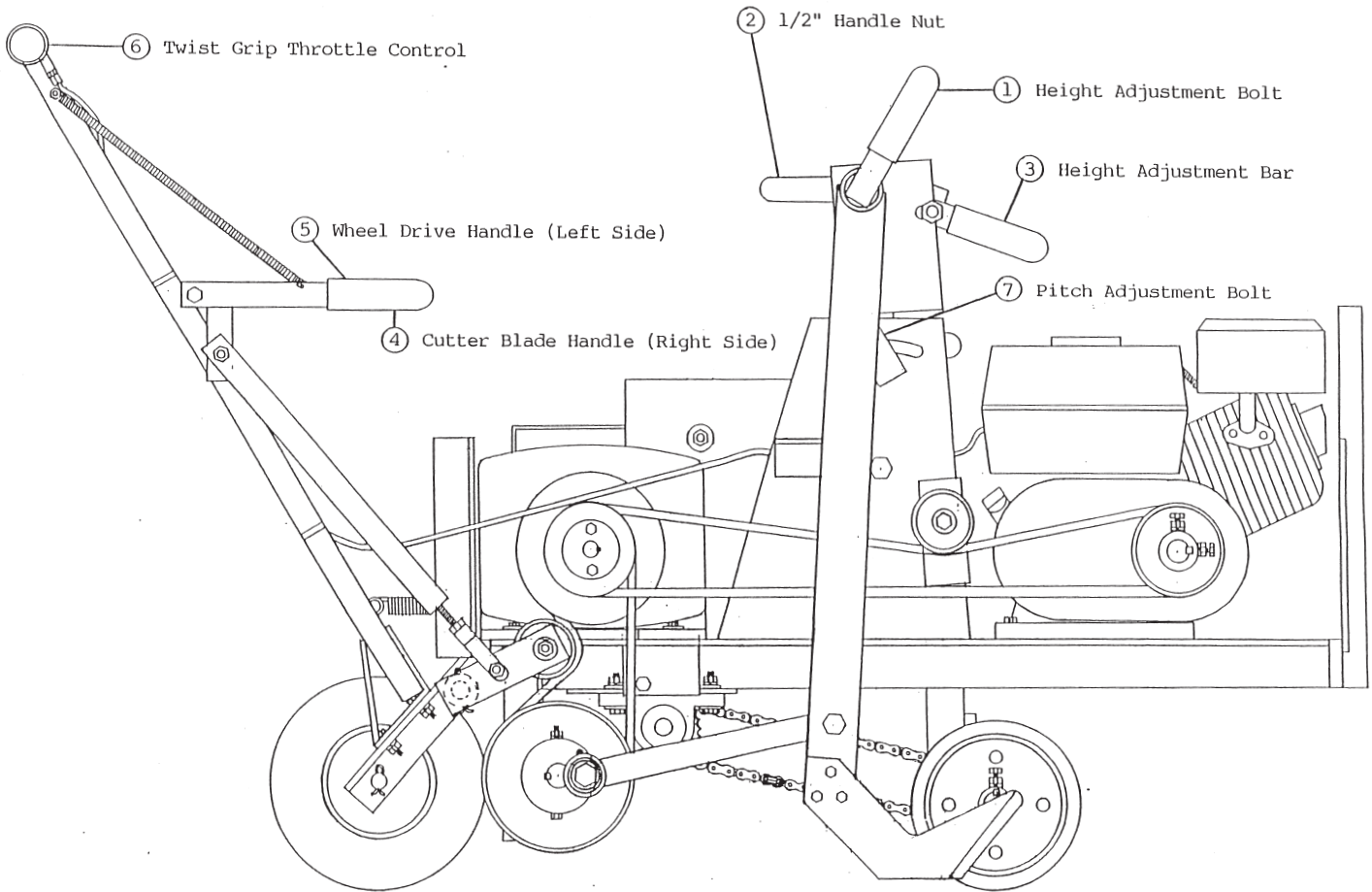
# GENERAL MAINTENANCE

To keep the sod cutter in good operating condition, perform the following:

- Keep blade sharp; a sharp blade cuts cleaner, faster and more uniformly and places less load on the machine. Sharpen cutting edge on bevel or top side only.
- Keep drive belt at proper tension and free of oil and dirt at all times.
- Check engine oil level and air filter element daily.
- Check for loose bolts and connections.
- All grease fittings are pressurized type. Use a good grade Lithium Base Grease or equivalent. Grease eccentric arms sparingly every 4 hours of service, all others daily. Wipe off all grease fittings before and after each greasing (there are a total of 8 grease fittings).
- To make sure the chain on the front drive wheels is tight, you will need to remove the chain guard to check this. If tightening is required, loosen nuts and bolts on the 3/4" pillow block bearings and push the bearings toward the back of the sod cutter until chain is tight. Make sure both bearings go back evenly to keep jackshaft running even with the frame. After doing this, retighten nuts and bolts on the bearing and replace the chain guard.
- Engine (refer to Honda owner's manual).

## **▲ SAFETY WARNING ▲**

**DO NOT STORE GASOLINE (FUEL) UNNECESSARILY OVER LONG PERIODS OF TIME. TO PREVENT POSSIBLE EXPLOSION, STORE ONLY IN AN APPROVED "SAFE" CONTAINER. TO PREVENT EXPLOSION OF VAPORIZED FUEL, DO NOT STORE MACHINE WITH FUEL IN TANK OR CARBURETOR IN AN ENCLOSURE WITH OPEN FLAME. (EXAMPLE: FURNACE OR WATER HEATER PILOT LIGHT.)**



## TROUBLESHOOTING CHART

PROBLEM	CAUSE	REMEDY
Blade will not stay in ground	a. Bottom of blade is rounded off	a. Blade should be sharpened or replaced
Belts jump off	a. Wrong type of belt b. Pulley misalignment	a. Use only the special factory belt b. Realign pulley

NOTES: \_\_\_\_\_

\_\_\_\_\_

\_\_\_\_\_

\_\_\_\_\_

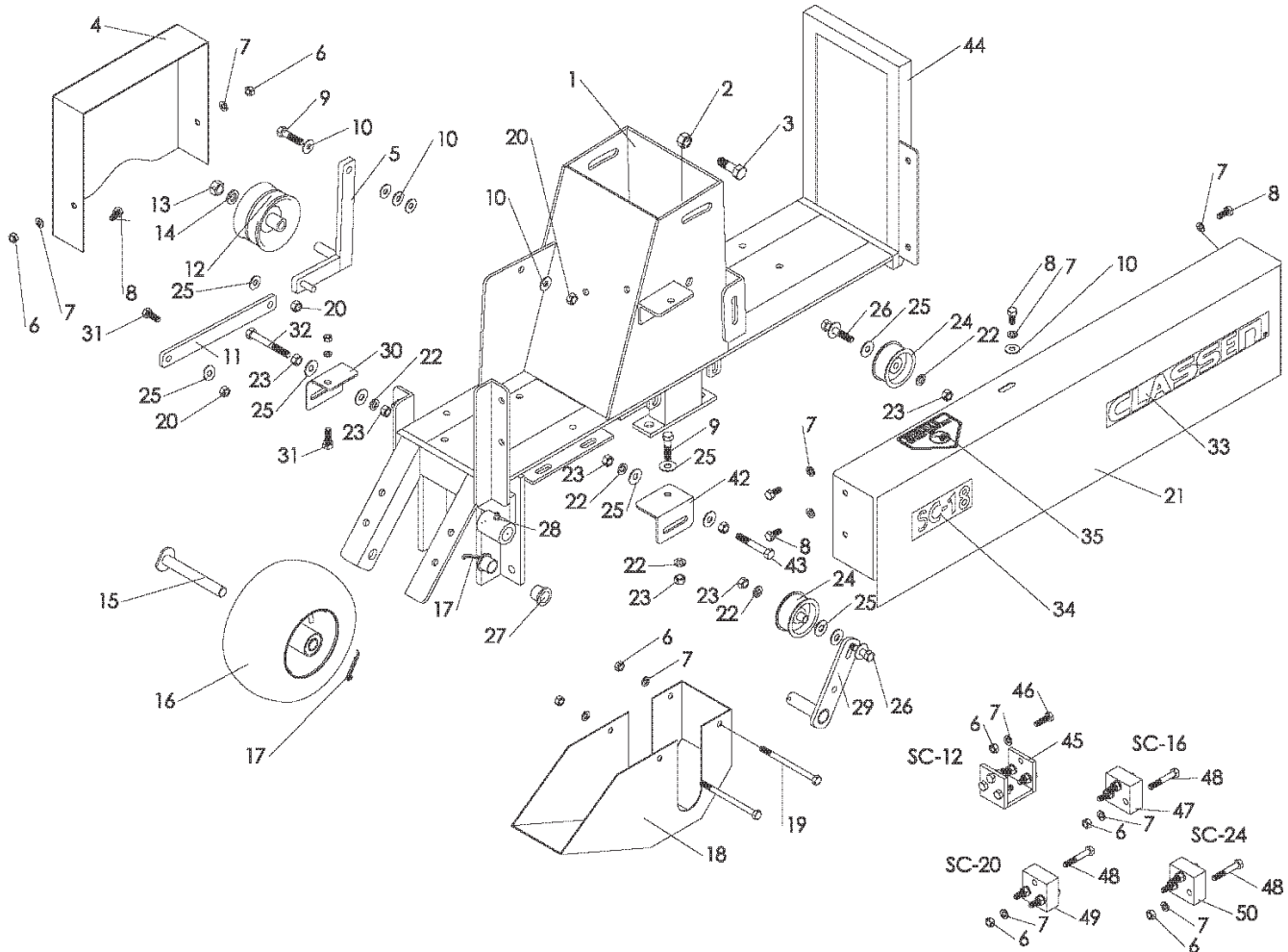
\_\_\_\_\_

\_\_\_\_\_

# **SOD CUTTER PARTS MANUAL**

**SC-12/5.5 – S.N. 000405 & UP**  
**SC-12/8.0 – S.N. 000139 & UP**  
**SC-16/5.5 – S.N. 000105 & UP**  
**SC-18/5.5 – S.N. 004713 & UP**  
**SC-18/8.0 – S.N. 000503 & UP**  
**SC-20/5.5 – S.N. 000152 & UP**  
**SC-20/8.0 – S.N. 000182 & UP**  
**SC-24/8.0 – S.N. 000178 & UP**

# SOD CUTTER MAIN FRAME

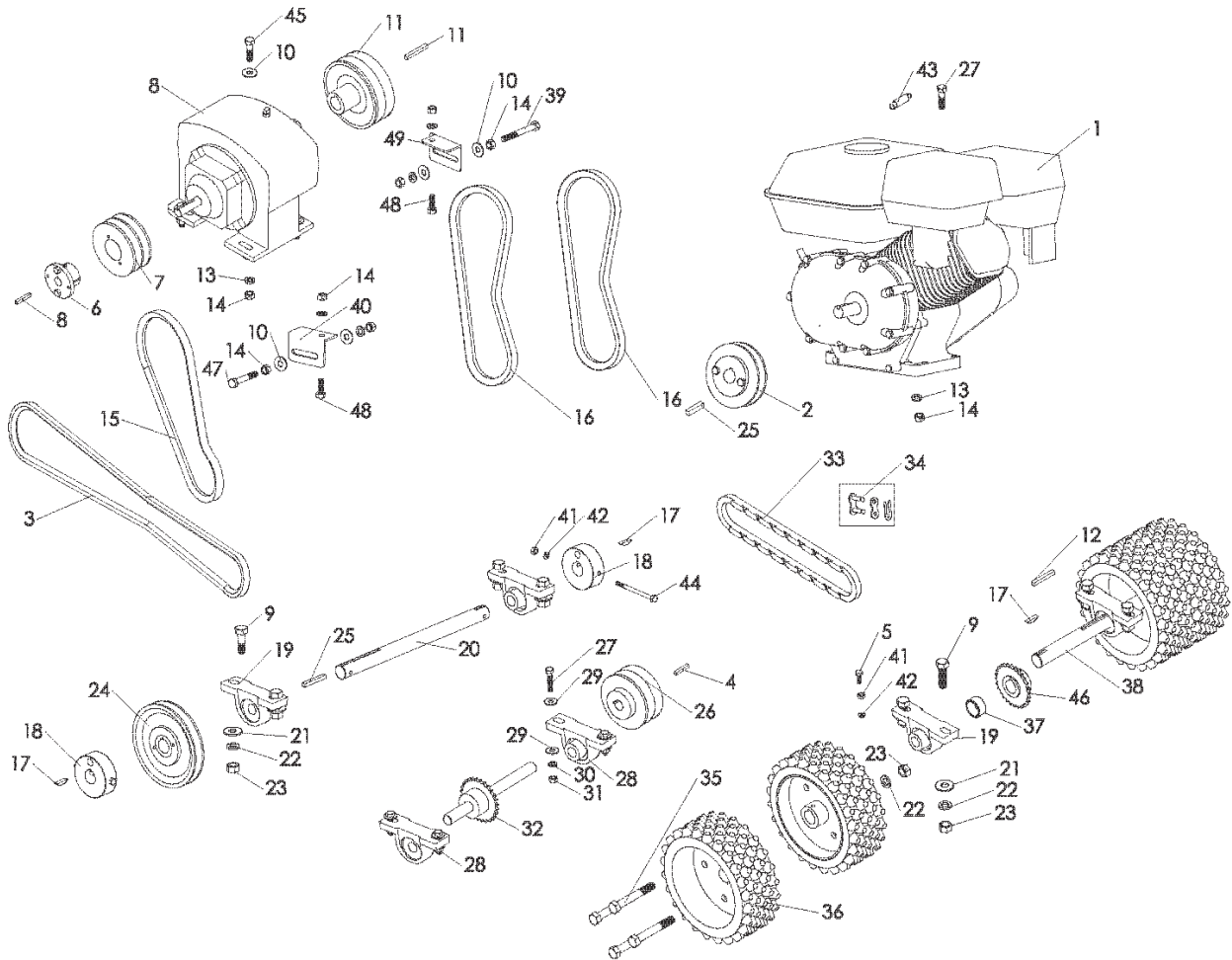


KEY	PART NO.	QTY/PER SHEET	DESCRIPTION
1	C400235	1	SOD CUTTER FRAME
2	C500131	2	1/2" LOCK NUT
3	C500150	2	1/2" x 1-1/2" BOLT
4	C400232	1	SMALL GUARD
5	C400114	1	DUAL DRIVE CLUTCH ARM
6	C500101	4	5/16" NUT
7	C500115	9	5/16" LOCK WASHER
8	C500140	6	5/16" x 3/4" BOLT
9	C500146	2	3/8" x 1-1/2" BOLT
10	C500083	6	5/16" FLAT WASHER
11	C300069	1	DRIVE LINKAGE ARM
12	C100208	1	DUAL DRIVE DOUBLE IDLER PULLEY
13	C500106	1	1/2" NUT
14	C500006	1	1/2" LOCK WASHER
15	C300002	1	AXLE PIN
16	C100017	1	TIRE & WHEEL ASSEMBLY, 9x350x4
17	C500016	2	5/32" x 1-1/2" COTTER PIN
18	C400233	1	CHAIN GUARD
19	C500219	2	5/16" x 5" BOLT
20	C500041	2	3/8" LOCK NUT
21	C400234	1	LARGE GUARD
22	C500130	6	3/8" LOCK WASHER
23	C500129	8	3/8" NUT
24	C100010	2	IDLER PULLEY
25	C500042	14	3/8" FLAT WASHER
26	C500091	2	3/8" x 2" BOLT
27	C100021	2	BRASS BUSHING
28	C500001	1	GREASE FITTING, 1/4" x 28

KEY	PART NO.	QTY/PER SHEET	DESCRIPTION
29	C400010	1	CLUTCH ARM
30	C300134	1	L.H. BELT ADJUSTMENT CLIP
31	C500043	2	3/8" x 1" BOLT
32	C500159	1	3/8" x 3" BOLT
33	C100074	2	DECAL, "CLASSEN"
34	C100262	2	DECAL, "SC-12"
34	C100417	2	DECAL, "SC-16"
34	C100131	2	DECAL, "SC-18"
34	C100260	2	DECAL, "SC-20"
34	C100345	2	DECAL, "SC-24"
35	C100069	1	DECAL, "DANGER"
36	C100096	1	DECAL, "ALL GUARDS"
37	C100132	1	DECAL, "CUTTER BLADE"
38	C100133	1	DECAL, "SLOW/FAST"
39	C100134	1	DECAL, "WHEEL DRIVE"
40	C100106	1	DECAL, SERIAL NUMBER
41	C100073	1	LUBRICATION TAG
42	C300004	1	R.H. BELT ADJUSTMENT CLIP
43	C500154	1	3/8" x 2-1/2" BOLT
44	C400237	1	BUMPER
45	C400011	2	12" BLADE ADAPTOR
46	C500133	12	5/16" x 1" BOLT
47	C300133	2	16" BLADE ADAPTOR
48	C500142	6	5/16" x 2" BOLT
49	C300047	2	20" BLADE ADAPTOR
50	C400188	2	24" BLADE ADAPTOR



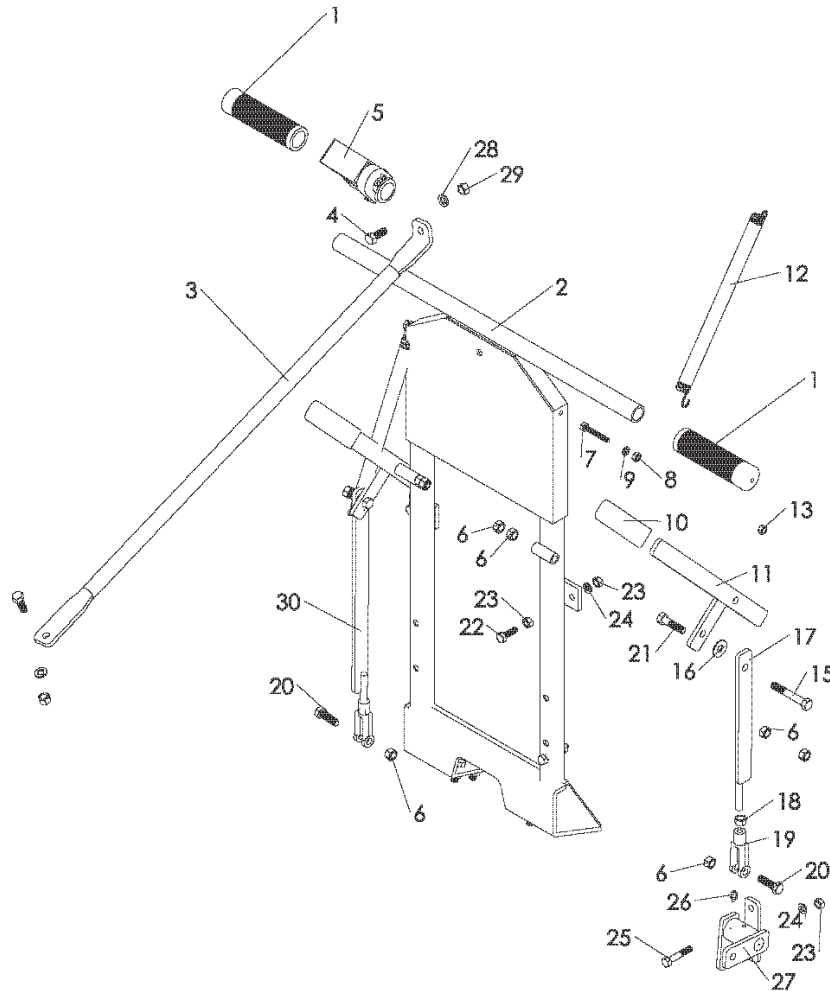
# SOD CUTTER POWER TRAIN ASSEMBLY



KEY	PART NO.	QTY/PER SHEET	DESCRIPTION
1	C100005	1	HONDA 5.5 hp ENGINE w/DEFLECTOR
1	C100114	1	HONDA 8.0hp ENGINE w/DEFLECTOR
2	C100028	1	PULLEY w/ HUB & BOLTS, 4" x 22mm
3	C100024	1	B56 V-BELT, 5.5hp MODEL
3	C100113	1	B59 V-BELT, 8.0hp MODEL
4	C500011	1	3/16" x 1 3/4" SQUARE KEY
5	C500029	2	1/4" x 3/4" BOLT
6	C100023	1	HUB, TAPERLOCK
7	C100022	1	PULLEY, TAPERLOCK
8	C100008	1	REDUCTION BOX, and KEYS
9	C500174	8	1/2" x 1 3/4" BOLTS
10	C500042	8	3/8" FLAT WASHER
11	C200031	1	PULLEY, DUAL DRIVE 5" SPLIT, and KEY
12	C500004	1	1/4" x 1" SQUARE KEY
13	C500130	10	3/8" LOCK WASHER
14	C500129	12	3/8" NUT
15	C100026	1	6934 V-BELT
16	C100011	2	BX31 DRIVE V-BELT (ONLY 1 BELT ON SC-12)
17	C500003	4	1/4" x 7/8" HALF MOON KEY
18	C700002	2	ECCENTRIC HUB
19	C100004	4	1" PILLOW BLOCK w/COLLAR
20	C600003	1	ECCENTRIC SHAFT
21	C500034	8	1/2" FLAT WASHER
22	C500006	16	1/2" LOCK WASHER
23	C500106	16	1/2" NUT
24	C200002	1	6" PULLEY w/ 1" HUB

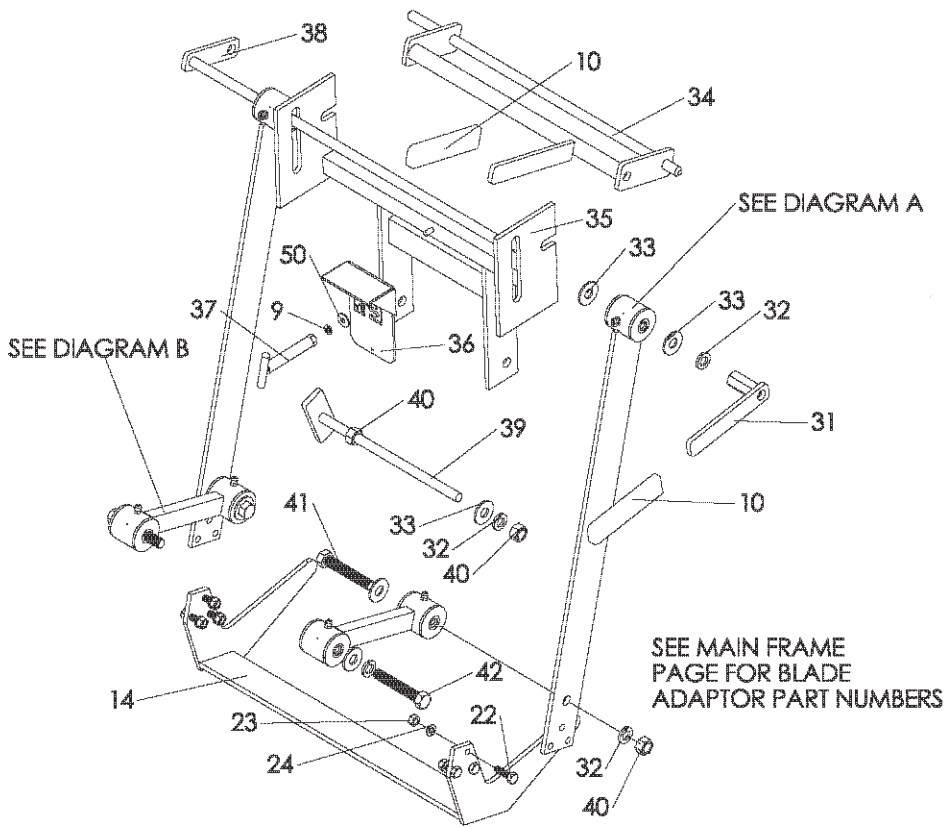
KEY	PART NO.	QTY/PER SHEET	DESCRIPTION
25	C500181	1	1/4" x 1-1/2" SQUARE KEY
26	C100207	1	SHEAVE, DUAL DRIVE DOUBLE V-BELT
26	C100014	1	SHEAVE, SINGLE DRIVE (MODEL SC-12)
27	C500147	8	5/16" x 1-1/2" BOLT
28	C100013	2	3/4" PILLOW BLOCK w/ COLLAR
29	C500083	8	5/16" FLAT WASHER
30	C500115	8	5/16" LOCK WASHER
31	C500101	8	5/16" NUT
32	C200039	1	JACKSHAFT, w/SPROCKET & HUB
33	C100307	1	#40 CHAIN
34	C100025	1	CONNECTING LINK
35	C500158	8	1/2" x 3-1/2" BOLT
36	C700024	4	DRIVE WHEEL (2 WHEELS ON SC-12)
37	C300001	1	DRIVE SHAFT SPACER
38	C600004	1	DRIVE SHAFT
39	C500154	1	3/8" x 2-1/2" BOLT
40	C300004	1	R.H. BELT ADJUSTMENT CLIP
41	C500136	4	1/4" NUT
42	C500137	4	1/2" LOCK WASHER
43	C100027	1	THROTTLE SPRING
44	C500157	2	1/4" x 3-1/2" BOLT
45	C500146	4	3/8" x 1-1/2" BOLT
46	C200001	1	DRIVE SHAFT SPROCKET
47	C500159	1	3/8" x 3" BOLT
48	C500043	2	3/8" x 1" BOLT
49	C300134	1	L.H. BELT ADJUSTMENT CLIP

# SOD CUTTER HANDLE ASSEMBLY

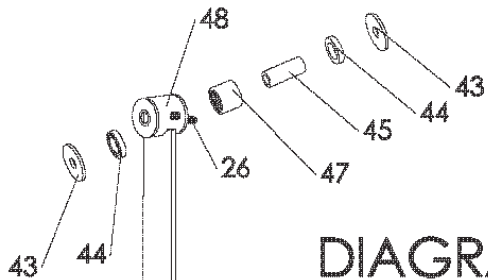


KEY	PART NO.	QTY/PER SHEET	DESCRIPTION
1	C100018	1	L.H. HANDLE GRIP
2	C400243	1	MAIN HANDLE
3	C300138	1	HANDLE BRACE
4	C500043	6	3/8" x 1" BOLT
5	C100486	1	THUMB THROTTLE & CABLE
6	C500041	9	3/8" LOCK NUT
7	C500118	2	1/4" x 1 3/4" BOLT
8	C500136	2	1/4" NUT
9	C500137	3	1/4" LOCK WASHER
10	C100007	4	RUBBER GRIP
11	C400008	2	HANDLE ENGAGEMENT
12	C500019	2	SMALL HANDLE SPRING
13	C500139	2	1/4" LOCK NUT
14	C100029	1	12" CUTTING BLADE
14	C100416	1	16" CUTTING BLADE
14	C100016	1	18" CUTTING BLADE
14	C100110	1	20" CUTTING BLADE
14	C100329	1	24" CUTTING BLADE
15	C500154	2	3/8" x 2 1/2" BOLT
16	C500042	2	3/8" FLAT WASHER
17	C400074	1	WHEEL DRIVE ADJUSTMENT ARM
18	C500025	2	3/8" FINE NUT
19	C500026	2	3/8" CLEVIS YOKE
20	C500134	2	3/8" x 1-1/4" BOLT
21	C500146	2	3/8" x 1-1/2" BOLT
22	C500133	8	5/16" x 1" BOLT
23	C500101	12	5/16" NUT

KEY	PART NO.	QTY/PER SHEET	DESCRIPTION
24	C500115	10	5/16" LOCK WASHER
25	C500074	2	5/16" x 1-3/4" BOLT
26	C500001	7	GREASE FITTING, 1/4" x 28
27	C400110	1	PIVOT ASSEMBLY
28	C500130	6	3/8" LOCK WASHER
29	C500129	6	3/8" NUT
30	C400007	1	CUTTING BLADE ADJUSTMENT ARM
31	C500007	1	1/2" HANDLE NUT
32	C500006	6	1/2" LOCK WASHER
33	C500034	10	1/2" FLAT WASHER
34	C400001	1	HEIGHT ADJUSTMENT BAR
35	C400238	1	PITCH ADJUSTMENT BAR
36	C300039	1	DEPTH GAUGE
37	C400239	1	1/4" THREADED T HANDLE
38	C200005	1	HEIGHT ADJUSTMENT BOLT
39	C200004	1	PITCH ADJUSTMENT BOLT
40	C500106	4	1/2" NUT
41	C500152	2	1/2" x 2-3/4" BOLT
42	C500151	2	1/2" x 3" FINE BOLT
43	C100001	12	3/4" NYLON WASHER
44	C100002	12	SEAL
45	C600001	6	STEEL SLEEVE
46	C800001	2	ECCENTRIC ARM
47	C100003	6	BEARING
48	C800002	2	BLADE ARM
49	C500088	1	1/4" FLAT WASHER

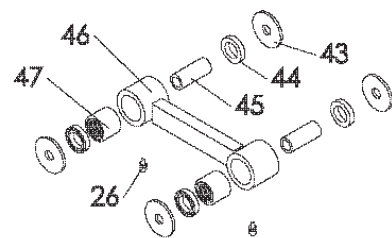


## DIAGRAM A



## DIAGRAM B

NOTE: When installing seals, make sure spring side of seal is away from bearing



# ***CLASSEN***<sup>®</sup>

**Schiller-Pfeiffer, Inc.  
1028 Street Road • Southampton, PA 18966  
Telephone: 1-800-366-6268**

## **TWO YEAR LIMITED WARRANTY**

Effective April 1, 2007

For the period of two years from the date of purchase, CLASSEN MFG., INC. will repair or replace for the original purchaser free of charge, any part or parts found upon the examination of our factory authorized service station, or by the factory in Norfolk, Nebraska, to be defective in material or workmanship. All transportation charges on parts submitted for repair or replacement under this warranty shall be borne by the purchaser.

This warranty does not include engines or engine parts, tires, batteries, or gearboxes that are covered under separate warranties furnished by their manufacturer or supplier, nor does it include normal maintenance parts, including but not limited to, spark plugs, points, filters, blades, and lubricants.

All service under this warranty will be furnished or performed by our factory authorized service stations.

There is no other expressed warranty. Implied warranties, including those of merchantability and fitness for a particular purpose, are limited to two years from the date of purchase and to the extent permitted by law, any and all implied warranties are excluded. The above remedy of repair and replacement of defective parts is the purchaser's exclusive remedy for any defect, malfunction or breach of warranty. Liability for incidental or consequential damages under any and all warranties is excluded to the extent permitted by law.

### **NORMAL RESPONSIBILITIES OF THE SELLER AND THE USER**

1. The Distributor or Dealer is responsible for the proper assembly and preparation of the product for delivery to the end user.
2. The User is responsible for reading the Manual and Instructions.
3. The User is responsible for proper operation and maintenance as described in the manual.
4. The User is responsible for the replacement of wear items such as blades, belts, tires, batteries, etc.
5. The User is responsible for damage due to improper operation and maintenance, as well as abuse.

All claims must be received by the factory 30 days after the end of the warranty period to receive warranty consideration.

# INTRODUCCIÓN

## GRACIAS

Gracias por comprar el cortador de tepe Classen modelo SC-20, SC-18 o SC-12.

## LEA ESTE MANUAL

Lea detenidamente este manual para aprender el funcionamiento correcto del cortador de tepe. De no hacer esto se pueden producir lesiones personales o daños en los equipos.

Este manual debe considerarse parte permanente de su cortador de tepe y debe permanecer con el mismo si lo vende.

## GARANTÍA

Consulte la última página.

## MEDICIONES

En este manual se usan unidades de medida de EE.UU.

## NÚMEROS DE SERIE:

Escriba los números de serie del bastidor y del motor, más los números de modelo en la sección de "Registro del propietario". Su distribuidor necesita estos números al pedir piezas. El número de serie está ubicado en un adhesivo en la sección central del bastidor.

## INSTRUCCIONES

Los lados "derecho" e "izquierdo" del cortador de tepe vienen determinados haciendo frente a la "parte trasera" de la máquina como si estuviera haciendo funcionar máquina.

# REGISTRO DEL PROPIETARIO

FECHA DE COMPRA \_\_\_\_\_

Nº DE MODELO DEL CORTADOR DE TEPE \_\_\_\_\_

Nº DE SERIE DEL CORTADOR DE TEPE \_\_\_\_\_

NÚMERO DE MODELO DEL MOTOR \_\_\_\_\_

NÚMERO DE SERIE DEL MOTOR \_\_\_\_\_

# LISTA DE COMPROBACIÓN ANTERIOR A LA ENTREGA

Compruebe lo siguiente antes de entregar el cortador de tepe al cliente.

1. Protectores y pantallas sujetos en posición.
2. Calcomanías sujetas y legibles.
3. Presión de los neumáticos
4. Palanca de gasolina del motor en la posición encendida.
5. Los ocho puntos de lubricación engrasados.
6. Nivel de aceite de la caja de engranajes 2:1
7. Nivel de aceite del motor.
8. Filtro de aire.
9. Retoque las rayaduras.
10. Cadena tensada.
11. Correa del motor tensada.
12. Palancas funcionando debidamente.
13. Todos los controles.
14. Añada combustible, arranque el motor, haga una prueba de funcionamiento.

FECHA DE CONFIGURACIÓN \_\_\_\_/\_\_\_\_/\_\_\_\_

# LISTA DE COMPROBACIÓN DE ENTREGA

Revise el manual del operador con el cliente.

Explique lo siguiente:

1. Garantía de Classen Mfg., Inc.
2. Operación y servicio seguros.
3. Cómo usar los controles.
4. Funcionamiento correcto de la máquina.
5. Transporte del cortador de tepe.
6. Combustible y lubricantes correctos.
7. Inspecciones diarias y periódicas.
8. Cambio de aceite después del período de rodaje.
9. Cómo efectuar el servicio del cortador de tepe de forma regular y correcta.
10. Piezas y servicio de Classen Mfg., Inc.
11. Dé el manual del operador al cliente y animele a que lo lea.

FECHA DE ENTREGA  
\_\_\_\_\_/\_\_\_\_\_/\_\_\_\_\_

FIRMA \_\_\_\_\_

## SEGURIDAD

### MANIPULE EL COMBUSTIBLE CON CUIDADO – EVITE LOS INCENDIOS

Manipule la gasolina con cuidado, ya que es muy inflamable. Use un recipiente de gasolina aprobado.

Llene el depósito de combustible al aire libre.

**NO** llene el depósito completamente.

**NO** fume mientras llene el depósito de combustible.

**NO** quite la tapa de la gasolina con el motor en funcionamiento.

### LEA LOS LETREROS DE SEGURIDAD

Lea detenidamente y siga las instrucciones de todas las calcomanías de precaución.



ADVERTENCIA



**LOS PROTECTORES DEBEN ESTAR EN POSICIÓN MIENTRAS LA MÁQUINA ESTÉ EN FUNCIONAMIENTO**



ADVERTENCIA



**NO ACERQUE LAS MANOS Y LOS PIES A LAS PIEZAS MÓVILES**

### HAGA FUNCIONAR DE FORMA SEGURA

Lea detenidamente este manual y haga funcionar el cortador de tepe correctamente.

### PROTEJA A LOS NIÑOS

No deje que se acerquen los niños y los animales al área donde esté cortando tepe.

### EVITE LOS VUELCOS

Asegúrese de no acercarse demasiado a los desniveles grandes para evitar que se vuelque el cortador de tepe.

### HAGA FUNCIONAR LA UNIDAD CON SEGURIDAD EN LAS PENDIENTES

Puede cortar tepe en cualquier dirección en las pendientes, no obstante, asegúrese de hacerlo con cuidado. El corte en pendientes puede ser peligroso. Para evitar accidentes, asegúrese de dejarse sitio para corregir el problema en caso de que surja un problema. Estacione siempre el cortador de tepe sobre un terreno horizontal.

### PRACTIQUE EL MANTENIMIENTO SEGURO

Mantenga todas las piezas de la máquina en buenas condiciones y sujetas en posición. Arregle los daños de inmediato. Reemplace las piezas desgastadas o rotas. Siempre que trabaje en el cortador de tepe, desconecte el cable de la bujía.

### ARRANQUE EL MOTOR DE FORMA SEGURA

Asegúrese de no acercar las manos y los pies a las piezas móviles al arrancar el motor.

## PROCEDIMIENTOS DE ARRANQUE DEL MOTOR

**AVISO:** Hay dos lugares en este motor que requieren aceite: el cárter y la transmisión (caja de engranajes). El funcionamiento del motor o de la caja de engranajes con un bajo nivel de aceite puede causar daños en el motor. Consulte el manual del motor para obtener información completa y recomendaciones del motor.

### COMPRUEBE EL NIVEL DE ACEITE DEL MOTOR

1. asegúrese de que el motor esté horizontal
  - el interruptor del motor está en la posición APAGADA
  - la hoja del cortador de tepe NO esté conectada
  - las ruedas de impulsión estén desconectadas.
2. Quite la tapa del tubo de llenado/varilla indicadora de nivel y límpiela.
3. Introduzca y saque la varilla indicadora de nivel sin atornillarla en el cuello del tubo de llenado. Compruebe el nivel de aceite mostrado en la varilla indicadora.
4. Si el nivel de aceite es bajo, llene hasta el borde del agujero de llenado de aceite con el aceite recomendado. Se recomienda aceite SAE 10W-30 para uso general. Consulte las recomendaciones de aceite del motor en el manual del motor para averiguar otras viscosidades e información.
5. Atornille bien la tapa del tubo de llenado/varilla indicadora de nivel.

### COMPRUEBE EL NIVEL DE ACEITE DE LA TRANSMISIÓN

1. Compruebe el nivel de aceite de la transmisión con el motor parado y en posición horizontal.
2. Quite la tapa del tubo de llenado/varilla indicadora de nivel y límpiela.
3. Introduzca y saque la varilla indicadora de nivel sin atornillarla en el agujero del tubo de llenado. Compruebe el nivel de aceite mostrado en la varilla indicadora.
4. Si el nivel de aceite es bajo, eche aceite hasta alcanzar la marca del límite superior en la varilla indicadora de nivel. Use el mismo aceite que se recomienda para el motor SAE 10W-30.
5. Atornille bien la tapa del tubo de llenado/varilla indicadora de nivel.

### ARRANQUE DEL MOTOR

1. Gire la llave de paso de combustible a la posición “abierta”.
2. Active el estrangulador (cerrado).
3. Ponga el interruptor de arranque en “encendido”.
4. Mueva la palanca del acelerador del motor a la posición semiabierta.
5. Tire de la cuerda del motor de arranque hasta que arranque el motor.
6. Desactive el estrangulador (abierto) después de que se haya calentado el motor.
7. Deje que funcione el motor durante un minuto antes de empezar a cortar tepe.
8. Compruebe el ajuste de las rpm del motor antes de hacerlo funcionar. NO supere las 3600 rpm.

### PARADA DEL MOTOR

1. Gire el acelerador a la posición “lenta”.
2. Ponga el interruptor de arranque en apagado.

# OPERACIÓN DEL CORTADOR DE TEPE

## PREPARACIÓN

1. Observe el área del césped para ver si hay obstáculos y objetos sueltos (por ejemplo, aspersores, mangueras, juguetes, etc). Quite todos los componentes.
2. Asegúrese de que las cabezas de los aspersores subterráneos y otros obstáculos ocultos estén marcados para impedir daños.
3. Marque otras áreas en que el corte de tepe pueda ser un problema o demasiado arriesgado (por ejemplo, barro, raíces de árboles, cuestas inclinadas).

## OPERACIÓN

1. Arranque el motor. **PRECAUCIÓN:** Para evitar lesiones, no ponga los pies ni ninguna otra parte del cuerpo debajo de las hojas al arrancar el motor.
2. Seleccione la profundidad de corte correcta deseada hasta 2 1/2". Afloje el asa en te de la placa del calibre de profundidad, ubicada debajo de la barra de ajuste de altura, (N° 3 de la ilustración) y póngalo en el ajuste de altura correcto. Apriete el asa en T.
3. Empuje el manillar de impulsión de las ruedas (N° 5 de la ilustración) y el manillar de la hoja de corte (N° 4 de la ilustración) a la posición de "encendido", hacia el motor.
4. Suba el manillar principal de modo que la punta delantera del cortador de tepe quede apoyada sobre el terreno.
5. Afloje la tuerca del manillar de 1/2" (N° 2 en la ilustración) y baje la barra de ajuste de altura para que se apoye en el calibre de profundidad. Apriete bien ahora la tuerca del manillar de 1/2" de modo que no se afloje con las vibraciones de la máquina.
6. Vaya a la parte trasera de la máquina y baje el manillar hasta que la hoja de corte quede apoyada en el terreno. Ahora estará listo para cortar tepe.
7. Ponga el acelerador a la velocidad de operación deseada girando el control del acelerador (N° 6 de la ilustración) hacia usted. Se recomiendan unas rpm del motor máximas para lograr una operación uniforme.
8. Después de cortar una pequeña distancia, pare la máquina dejando que el control de giro del acelerador vuelva a su posición original. Compruebe el espesor del corte y ajústelo si es necesario.
9. Al final de cada pasada de corte, levante la barra del manillar para sacar la hoja de corte del tepe. Retrase el control del acelerador y dé la vuelta a la máquina para colocarla para el próximo corte.
10. Cuando haya terminado de cortar el tepe, invierta los pasos 6 a 3, dejando el manillar de impulsión de las ruedas en la posición de encendido para el transporte.

# ÁNGULO DE LA HOJA (INCLINACIÓN)

En condiciones de operación normales, el ángulo de la hoja es pequeño (la parte inferior de la hoja es plana). En suelos muy duros o al cortar con una hoja sin afilar, es posible que la hoja trate de salirse del terreno. En este momento, tal vez convenga inclinar la hoja hacia abajo. Tras efectuar una prueba corta se sabrá cuál es el mejor ángulo de la hoja. Para hacer esto, debe aflojar el perno de ajuste de inclinación (N° 7 de la ilustración) y moverlo ligeramente hacia al motor, y después volver a apretar el perno y la tuerca.

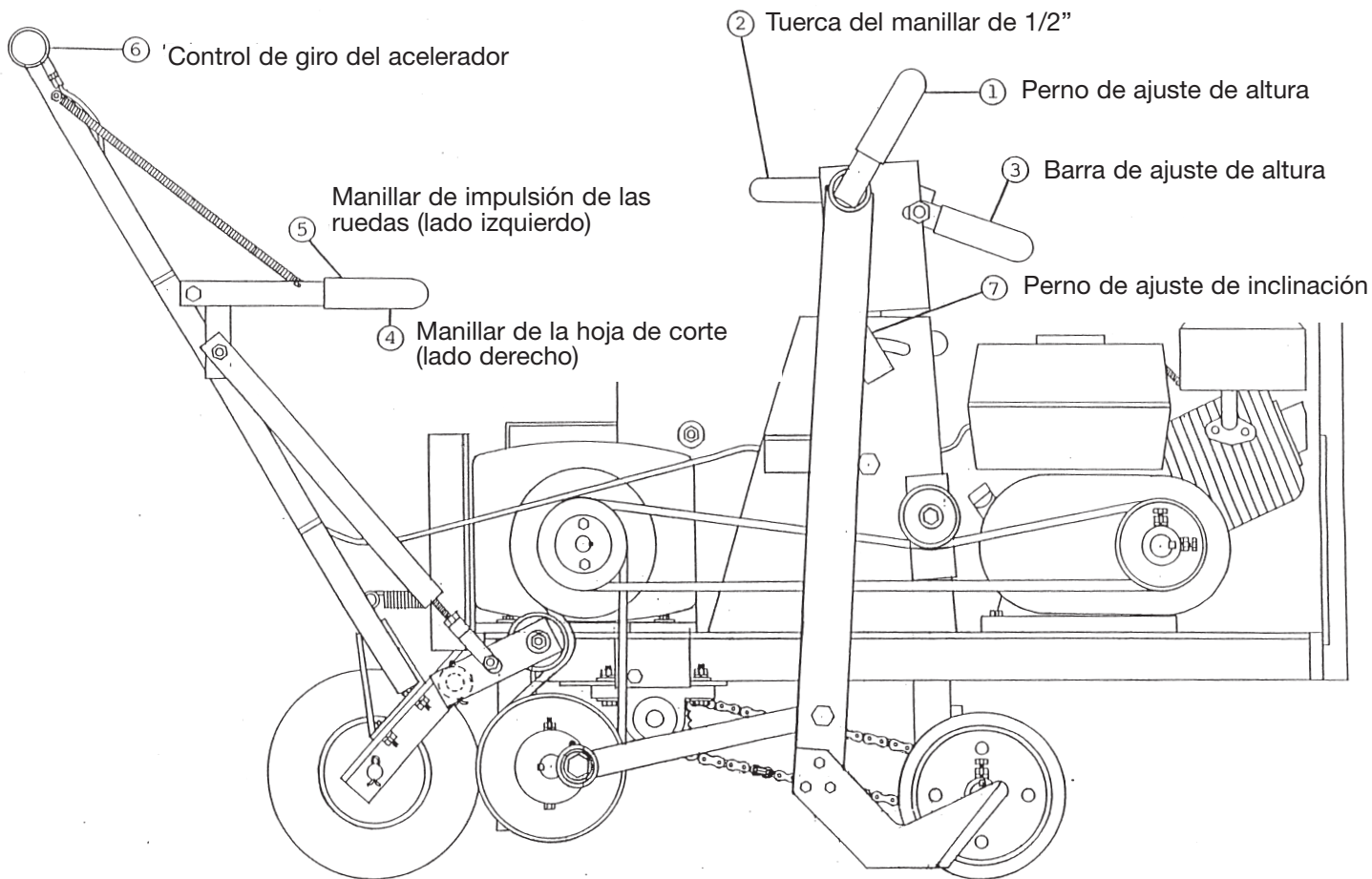
# MANTENIMIENTO GENERAL

Realice lo siguiente para mantener el cortador de tepe en buenas condiciones de operación:

- Mantenga la hoja afilada; una hoja afilada produce cortes más limpios, más rápidos y de manera más uniforme y somete a la máquina a menos carga. Afile la cuchilla por el lado biselado o lado superior solamente.
- Mantenga la correa de impulsión a la tensión adecuada y sin aceite ni suciedad en todo momento.
- Compruebe a diario el nivel de aceite del motor y el elemento del filtro de aire.
- Compruebe si hay pernos y conexiones sueltos.
- Todas las graseras son del tipo a presión. Use una buena grasa a base de litio o equivalente. Engrase ligeramente los brazos excéntricos cada 4 horas de servicio y los demás a diario. Limpie las graseras antes y después de engrasarlas (hay un total de 8 graseras).
- Para asegurarse de que esté ajustada la cadena de las ruedas de impulsión delanteras, tendrá que quitar el protector de la cadena para comprobarlo. Si es necesario tensar, afloje las tuercas y los pernos de las chumaceras de 3/4" y empuje éstas hacia la parte trasera del cortador de tepe hasta que se tense la cadena. Asegúrese de que ambas chumaceras lleguen hasta el fondo por igual para que el eje intermedio funcione de modo uniforme con el bastidor. Después de hacer esto, vuelva a apretar las tuercas y los pernos en la chumacera y vuelva a colocar el protector de la cadena.
- Motor (consulte el manual del propietario de Honda).

## ▲ ADVERTENCIA DE SEGURIDAD ▲

**NO GUARDE LA GASOLINA (COMBUSTIBLE) DE FORMA INNECESARIA DURANTE PERÍODOS LARGOS PARA IMPEDIR UNA POSIBLE EXPLOSIÓN, GUARDE SOLAMENTE EN UN RECIPIENTE APROBADO "SEGURO". PARA IMPEDIR LA EXPLOSIÓN DE COMBUSTIBLE VAPORIZADO, NO GUARDE LA MÁQUINA CON COMBUSTIBLE EN EL DEPÓSITO O EN EL CARBURADOR EN UN RECINTO CON UNA LLAMA ABIERTA. (EJEMPLO: LUZ PILOTO DE UNA CALDERA O UN CALENTADOR DE AGUA).**



## CUADRO DE LOCALIZACIÓN Y RESOLUCIÓN DE PROBLEMAS

PROBLEMA	CAUSA	SOLUCIÓN
La hoja no permanece en el terreno	a. La parte inferior de la hoja está redondeada	a. La hoja debe afilarse o reemplazarse
Las correas saltan y se salen	a. Tipo de correa equivocado b. Polea desalineada	a. Use solamente la correa de fábrica especial b. Vuelva a alinear la polea

NOTAS: \_\_\_\_\_

\_\_\_\_\_

\_\_\_\_\_

\_\_\_\_\_

\_\_\_\_\_



# **CORTADOR DE TEPE MANUAL DE PIEZAS**

**SC-12/5.5 – N/S 000405 y sig.**

**SC-12/8.0 – N/S 000139 y sig.**

**SC-16/5.5 – N/S 000105 y sig.**

**SC-18/5.5 – N/S 004713 y sig.**

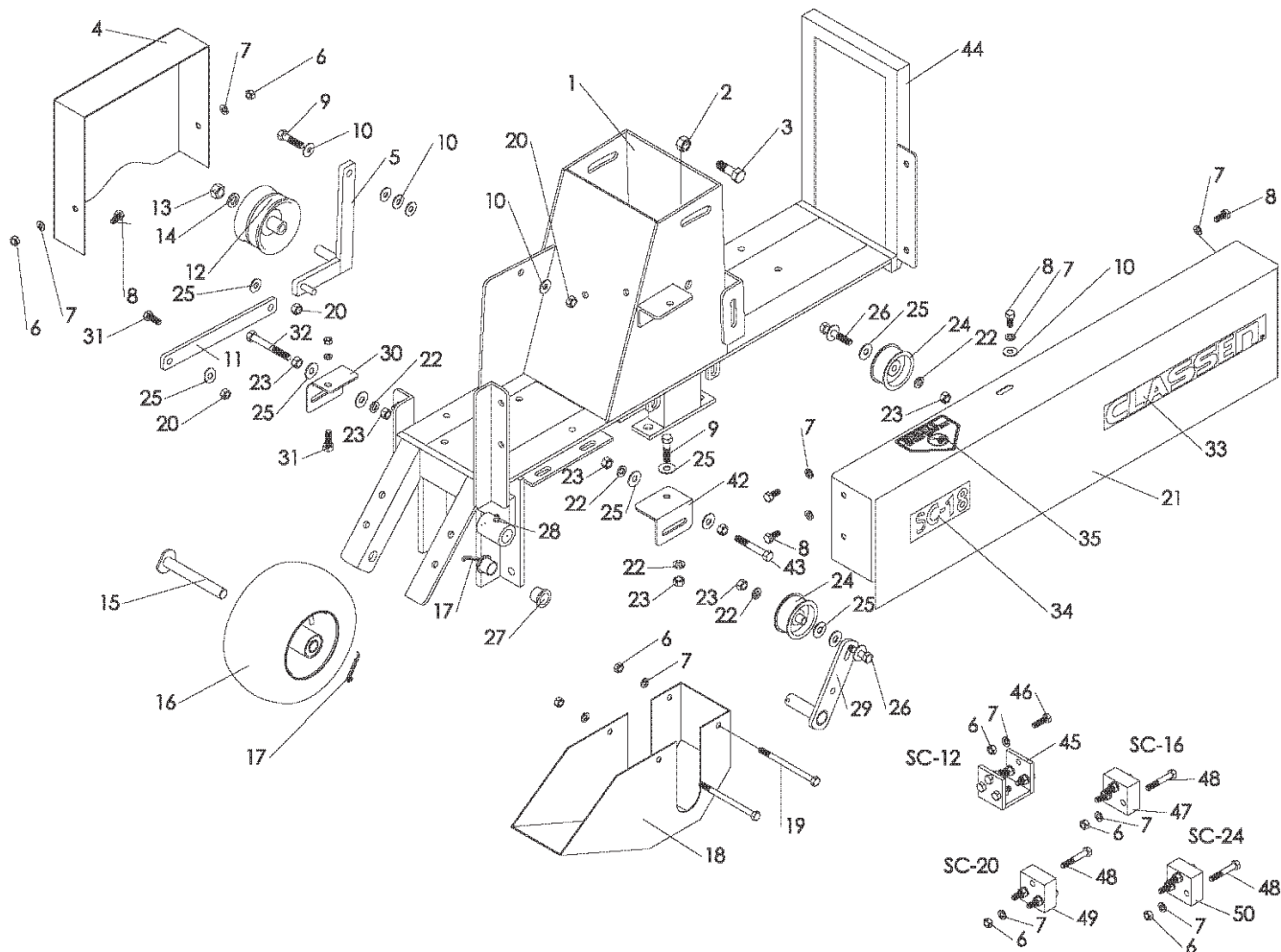
**SC-18/8.0 – N/S 000503 y sig.**

**SC-20/5.5 – N/S 000152 y sig.**

**SC-20/8.0 – N/S 000182 y sig.**

**SC-24/8.0 – N/S 000178 y sig.**

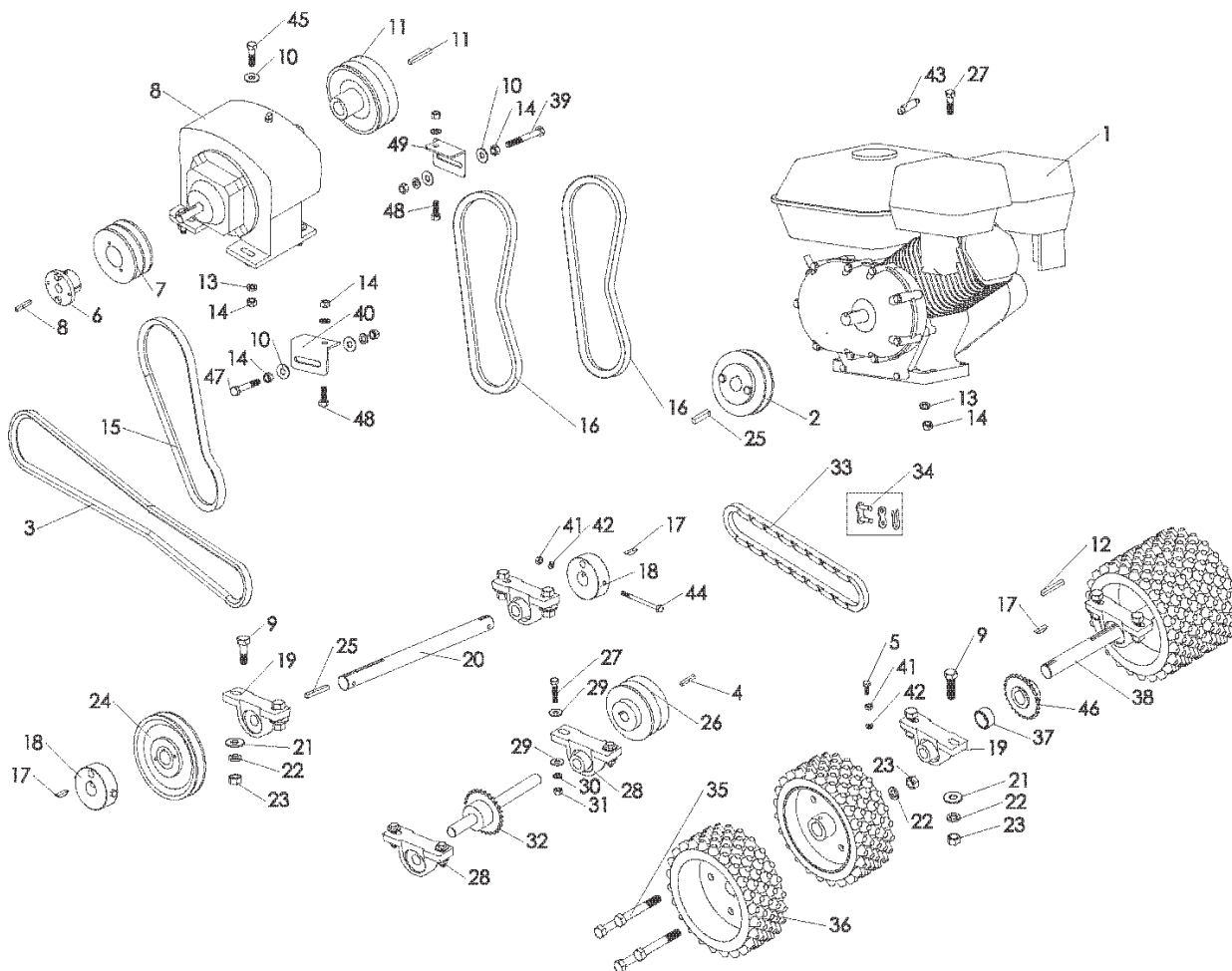
# BASTIDOR PRINCIPAL EL CORTADOR DE TEPE



CLAVE	N° DE PIEZA.	CADA/POR HOJA	DESCRIPCIÓN
1	C400235	1	BASTIDOR DEL CORTADOR DE TEPE
2	C500131	2	TUERCA DE TRABA DE 1/2"
3	C500150	2	PERNO DE 1/2" x 1 1/2"
4	C400232	1	PROTECTOR PEQUEÑO
5	C400114	1	BRAZO DEL EMBRAGUE DE IMPULSIÓN DOBLE
6	C500101	4	TUERCA DE 5/16"
7	C500115	9	ARANDELA DE TRABA DE 5/16"
8	C500140	6	PERNO DE 5/16" x 3/4"
9	C500146	2	PERNO DE 3/8" x 1 1/2"
10	C500083	6	ARANDELA PLANA DE 5/16"
11	C300069	1	BRAZO DE ARTICULACIÓN DE IMPULSIÓN
12	C100208	1	POLEA LOCA DOBLE DE IMPULSIÓN DOBLE
13	C500106	1	TUERCA DE 1/2"
14	C500006	1	ARANDELA DE TRABA DE 1/2"
15	C300002	1	PASADOR DE EJE
16	C100017	1	CONJUNTO DE NEUMÁTICO Y RUEDA DE 9 x 350 x 4
17	C500016	2	PASADOR DE ALETA DE 5/32" x 1 1/2"
18	C400233	1	PROTECTOR DE CADENA
19	C500219	2	PERNO DE 5/16" x 5"
20	C500041	2	TUERCA DE TRABA DE 3/8"
21	C400234	1	PROTECTOR GRANDE
22	C500130	6	ARANDELA DE TRABA DE 3/8"
23	C500129	8	TUERCA DE 3/8"
24	C100010	2	POLEA LOCA
25	C500042	14	ARANDELA PLANA DE 3/8"
26	C500091	2	PERNO DE 3/8" x 2"
27	C100021	2	MANGUITO DE LATÓN
28	C500001	1	GRASERA DE 1/4" x 28

CLAVE	N° DE PIEZA.	CADA/POR HOJA	DESCRIPCIÓN
29	C400010	1	BRAZO DEL EMBRAGUE
30	C300134	1	PRESILLA DE AJUSTE DE LA CORREA IZQUIERDA
31	C500043	2	PERNO DE 3/8" x 1"
32	C500159	1	PERNO DE 3/8" x 3"
33	C100074	2	CALCOMANÍA "CLASSEN"
34	C100262	2	CALCOMANÍA "SC-12"
34	C100417	2	CALCOMANÍA "SC-16"
34	C100131	2	CALCOMANÍA "SC-18"
34	C100260	2	CALCOMANÍA "SC-20"
34	C100345	2	CALCOMANÍA "SC-24"
35	C100069	1	CALCOMANÍA DE "PELIGRO"
36	C100096	1	CALCOMANÍA DE "TODOS LOS PROTECTORES"
37	C100132	1	CALCOMANÍA "HOJA DE CORTADOR"
38	C100133	1	CALCOMANÍA "LENTO/RÁPIDO"
39	C100134	1	CALCOMANÍA "RUEDA DE IMPULSIÓN"
40	C100106	1	CALCOMANÍA DE "NÚMERO DE SERIE"
41	C100073	1	ETIQUETA DE LUBRICACIÓN
42	C300004	1	PRESILLA DE AJUSTE DE LA CORREA DERECHA
43	C500154	1	PERNO DE 3/8" x 2 1/2"
44	C400237	1	TOPE
45	C400011	2	ADAPTADOR DE HOJA DE 12"
46	C500133	12	PERNO DE 5/16" x 1"
47	C300133	2	ADAPTADOR DE HOJA DE 16"
48	C500142	6	PERNO DE 5/16" x 2"
49	C300047	2	ADAPTADOR DE HOJA DE 20"
50	C400188	2	ADAPTADOR DE HOJA DE 24"

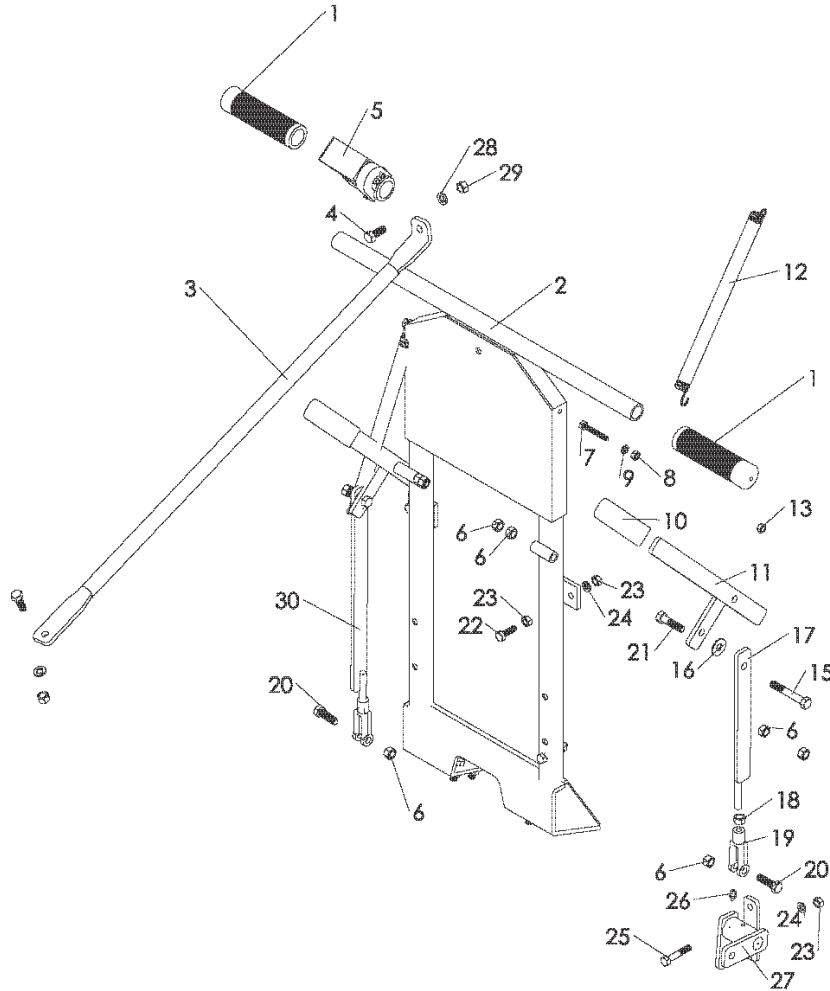
# CONJUNTO DEL TREN DE FUERZA DEL CORTADOR DE TEPE



CLAVE	Nº DE PIEZA.	HOJA	DESCRIPCIÓN
1	C100005	1	MOTOR HONDA DE 5,5 HP CON DEFLECTOR
1	C100114	1	MOTOR HONDA DE 8,0 HP CON DEFLECTOR
2	C100028	1	POLEA CON CUBO Y PERNOS DE 4" x 22 mm
3	C100024	1	CORREA TRAPEZIAL B56 MODELO DE 5,5 HP
3	C100113	1	CORREA TRAPEZIAL B59 MODELO DE 8,0 HP
4	C500011	1	CHAVETA CUADRADA DE 3/16" x 1 3/4"
5	C500029	2	PERNO DE 1/4" x 3/4"
6	C100023	1	CUBO TAPERLOCK
7	C100022	1	POLEA TAPERLOCK
8	C100008	1	CAJA DE REDUCCIÓN Y CHAVETAS
9	C500174	8	PERNOS DE 1/2" x 1 3/4"
10	C500042	8	ARANDELA PLANA DE 3/8"
11	C200031	1	POLEA DE IMPULSIÓN DOBLE DE 5" DIVIDIDA Y CHAVETA
12	C500004	1	CHAVETA CUADRADA DE 1/4" X 1"
13	C500130	10	ARANDELA DE TRABA DE 3/8"
14	C500129	12	TUERCA DE 3/8"
15	C100026	1	CORREA TRAPEZIAL 6934
16	C100011	2	CORREA TRAPEZIAL BX31 (SOLAMENTE 1 CORREA EN SC-12)
17	C500003	4	CHAVETA DE MEDIA LUNA DE 1/4" x 7/8"
18	C700002	2	CUBO EXCÉNTRICO
19	C100004	4	CHUMACERA DE 1" CON COLLAR
20	C600003	1	EJE EXCÉNTRICO
21	C500034	8	ARANDELA PLANA DE 1/2"
22	C500006	16	ARANDELA DE TRABA DE 1/2"
23	C500106	16	TUERCA DE 1/2"
24	C200002	1	POLEA DE 6" CON CUBO DE 1"

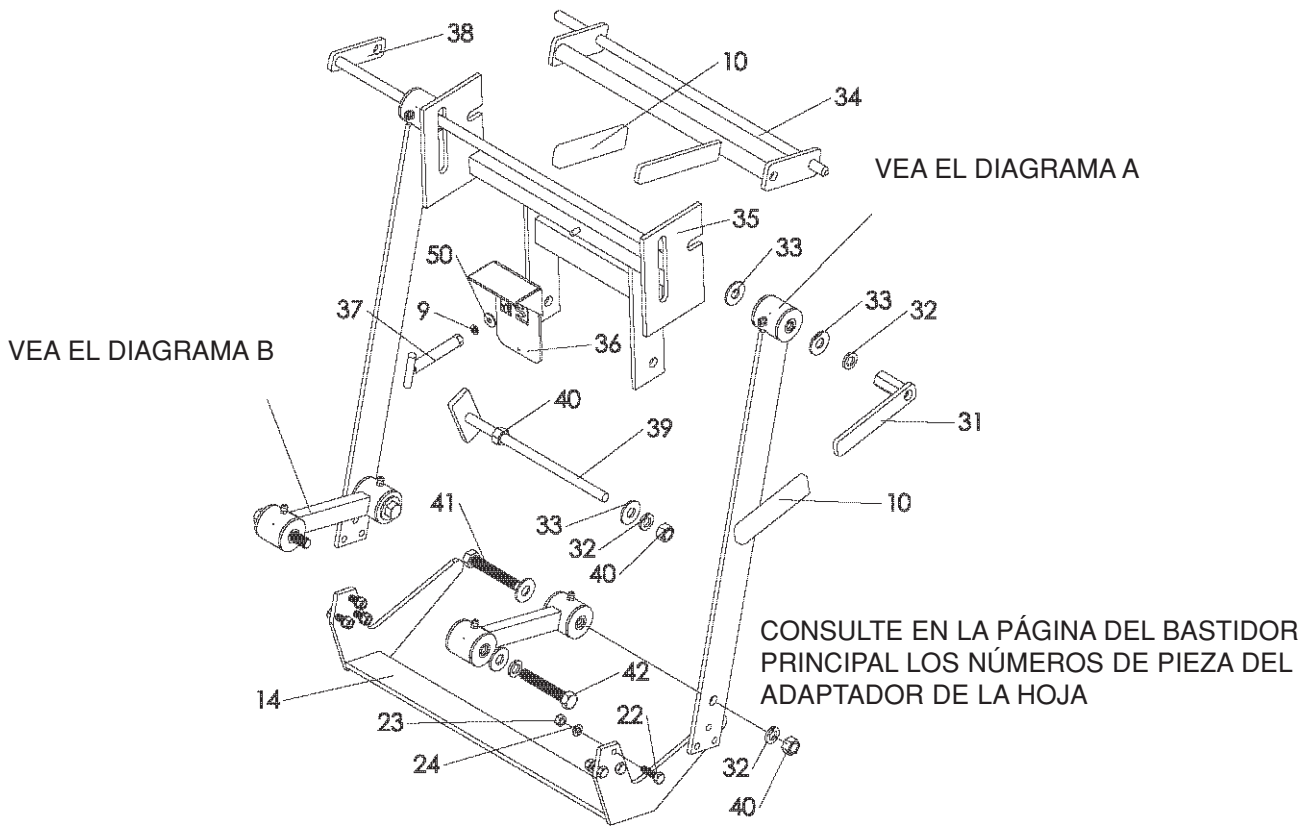
CLAVE	Nº DE PIEZA.	HOJA	DESCRIPCIÓN
25	C500181	1	CHAVETA CUADRADA DE 1/4" x 1 1/2"
26	C100207	1	ROLDANA DE CORREA TRAPEZIAL DOBLE DE IMPULSIÓN DE DOBLE
26	C100014	1	ROLDANA DE IMPULSIÓN INDIVIDUAL (MODELO SC-12)
27	C500147	8	PERNO DE 5/16" x 1 1/2"
28	C100013	2	CHUMACERA DE 3/4" CON COLLAR
29	C500083	8	ARANDELA PLANA DE 5/16"
30	C500115	8	ARANDELA DE TRABA DE 5/16"
31	C500101	8	TUERCA DE 5/16"
32	C200039	1	EJE INTERMEDIO CON RUEDA DENTADA Y CUBO
33	C100307	1	CADENA Nº 40
34	C100025	1	ESLABÓN
35	C500158	8	PERNO DE 1/2" x 3 1/2"
36	C700024	4	RUEDA DE IMPULSIÓN (2 RUEDAS EN SC-12)
37	C300001	1	ESPACIADOR DEL EJE DE IMPULSIÓN
38	C600004	1	EJE DE IMPULSIÓN
39	C500154	1	PERNO DE 3/8" x 2 1/2"
40	C300004	1	PRESILLA DE AJUSTE DE LA CORREA DERECHA
41	C500136	4	TUERCA DE 1/4"
42	C500137	4	ARANDELA DE TRABA DE 1/2"
43	C100027	1	RESORTE DEL ACELERADOR
44	C500157	2	PERNO DE 1/4" x 3 1/2"
45	C500146	4	PERNO DE 3/8" x 1 1/2"
46	C200001	1	RUEDA DENTADA DEL EJE DE IMPULSIÓN
47	C500159	1	PERNO DE 3/8" x 3"
48	C500043	2	PERNO DE 3/8" x 1"
49	C300134	1	PRESILLA DE AJUSTE DE LA CORREA IZQUIERDA

# CONJUNTO DE EMPUÑADURA DEL CORTADOR DE TEPE

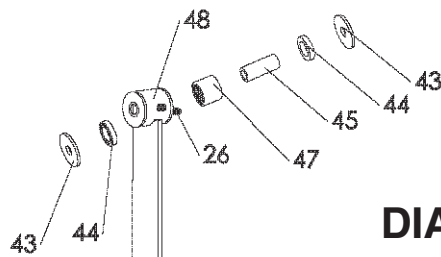


CLAVE	N° DE PIEZA.	HOJA	DESCRIPCIÓN
1	C100018	1	ASIDERO DEL MANILLAR
2	C400243	1	MANILLAR PRINCIPAL
3	C300138	1	TIRANTE DEL MANILLAR
4	C500043	6	PERNO DE 3/8" x 1"
5	C100486	1	ACELERADOR Y CABLE
6	C500041	9	TUERCA DE TRABA DE 3/8"
7	C500118	2	PERNO DE 1/4" x 1 3/4"
8	C500136	2	TUERCA DE 1/4"
9	C500137	3	ARANDELA DE TRABA DE 1/4"
10	C100007	4	ASIDERO DE CAUCHO
11	C400008	2	ACCIONADOR DEL MANILLAR
12	C500019	2	RESORTE DE MANILLAR PEQUEÑO
13	C500139	2	TUERCA DE TRABA DE 1/4"
14	C100029	1	HOJA DE CORTE DE 12"
14	C100416	1	HOJA DE CORTE DE 16"
14	C100016	1	HOJA DE CORTE DE 18"
14	C100110	1	HOJA DE CORTE DE 20"
14	C100329	1	HOJA DE CORTE DE 24"
15	C500154	2	PERNO DE 3/8" x 2 1/2"
16	C500042	2	ARANDELA PLANA DE 3/8"
17	C400074	1	BRAZO DE AJUSTE DEL MANDO DE LA RUEDA
18	C500025	2	TUERCA FINA DE 3/8"
19	C500026	2	HORQUILLA DE 3/8"
20	C500134	2	PERNO DE 3/8" x 1 1/4"
21	C500146	2	PERNO DE 3/8" x 1 1/2"
22	C500133	8	PERNO DE 5/16" x 1"
23	C500101	12	TUERCA DE 5/16"

CLAVE	N° DE PIEZA.	HOJA	DESCRIPCIÓN
24	C500115	10	ARANDELA DE TRABA DE 5/16"
25	C500074	2	PERNO DE 5/16" x 1 3/4"
26	C500001	7	GRASERA DE 1/4" x 28
27	C400110	1	CONJUNTO DE PIVOTE
28	C500130	6	ARANDELA DE TRABA DE 3/8"
29	C500129	6	TUERCA DE 3/8"
30	C400007	1	BRAZO DE AJUSTE DE LA HOJA DE CORTE
31	C500007	1	TUERCA DE MANILLAR DE 1/2"
32	C500006	6	ARANDELA DE TRABA DE 1/2"
33	C500034	10	ARANDELA PLANA DE 1/2"
34	C400001	1	BARRA DE AJUSTE DE ALTURA
35	C400238	1	BARRA DE AJUSTE DE INCLINACIÓN
36	C300039	1	CALIBRE DE PROFUNDIDAD
37	C400239	1	ASA EN T ROSCADA DE 1/4"
38	C200005	1	PERNO DE AJUSTE DE ALTURA
39	C200004	1	PERNO DE AJUSTE DE INCLINACIÓN
40	C500106	4	TUERCA DE 1/2"
41	C500152	2	PERNO DE 1/2" x 2 3/4"
42	C500151	2	PERNO FINO DE 1/2" x 3"
43	C100001	12	ARANDELA DE NILÓN DE 3/4"
44	C100002	12	SELLO
45	C600001	6	MANGUITO DE ACERO
46	C800001	2	BRAZO EXCÉNTRICO
47	C100003	6	COJINETE
48	C800002	2	BRAZO DE LA HOJA
49	C500088	1	ARANDELA PLANA DE 1/4"

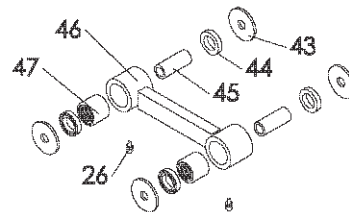


### DIAGRAMA A



### DIAGRAMA B

NOTA: Al instalar sellos, asegúrese de que el lado del resorte del sello apunte en sentido contrario al cojinete.



# **CLASSEN®**

**Schiller-Pfeiffer, Inc.**  
**1028 Street Road • Southampton, PA 18966**  
**Teléfono: + (877) 596 6337**

## **DOS AÑOS DE GARANTÍA LIMITADA**

En vigor el 1 de abril de 2007

Durante el período de dos años contado a partir de la fecha de compra, CLASSEN MFG., INC. reparará o reemplazará al comprador original de forma gratuita, cualquier pieza o piezas que después de examinarlas en nuestra estación de servicio autorizada de nuestra fábrica, o en la fábrica de Norfolk, Nebraska, tenga defectos de materiales o fabricación. Los costos de transporte de las piezas enviadas para su reparación o reemplazo, según los términos de esta garantía, deberán correr a costa del comprador.

Esta garantía no incluye los motores o piezas de motor, neumáticos, baterías o cajas de engranajes cubiertos por garantías separadas suministradas por su fabricante o proveedor, ni incluye las piezas de mantenimiento normales, incluidas bujías, puntas, filtros, hojas y lubricantes, pero sin limitarse a éstas.

Todos el servicio según esta garantía será suministrado o efectuado por nuestras estaciones de servicio autorizadas de fábrica.

No existe ninguna otra garantía explícita. Las garantías implícitas, incluidas las de comerciabilidad e idoneidad para un cierto fin, están limitadas a dos años contado a partir de la fecha de compra en la medida que lo permita la ley, se excluyen todas y cada una de las garantías implícitas. El remedio anterior de reparación y reemplazo de piezas defectuosas es el remedio exclusivo por cualquier defecto, funcionamiento defectuoso o violación de garantía. En la medida que lo permita la ley, se excluye la responsabilidad por daños emergentes o concomitantes según cualquiera y todas las garantías.

### **RESPONSABILIDADES NORMALES DEL VENDEDOR Y DEL USUARIO**

1. El distribuidor o el concesionario es responsable del montaje y de la preparación apropiados del producto para su entrega al usuario final.
2. El usuario es responsable de leer el manual de instrucciones.
3. El usuario es responsable de la operación y el mantenimiento apropiados según se describe en el manual
4. El usuario es responsable de reemplazar los artículos que se desgasten como hojas, correas, neumáticos, baterías, etc.
5. El usuario es responsable de los daños debidos al funcionamiento y al mantenimiento indebidos, así como a los abusos.

Todas las reclamaciones deben ser recibidas por la fábrica 30 días después del final del período de garantía para que sean consideradas según la garantía.