

CLASSEN[®]

TURF RAKES / SEEDERS – PARTS MANUAL ORIGINAL LANGUAGE INSTRUCTIONS



TR-20H / TR-20B TURF RAKE

TR-20MH / TR-20MB TURF RAKE w/ MULTI-PURPOSE BLADE

TRC-20H / TRC-20B TURF RAKE w/ CATCHER

TS-20H / TS-20B TURF SEEDER

TR-20RH / TR-20RB TURF RAKE w/ SPRING TINE REEL

Schiller Grounds Care • 1028 Street Road • Southampton, PA 18966
Telephone 1.800.366.6268 • Teléfono + 877.596.6337

TABLE OF CONTENTS

| | |
|---|--------------------|
| SAFETY | 3-4 |
| MAINTENANCE / STORAGE | 5 |
| PARTS SECTION..... | 6 |
| DECALS..... | FIGURE 1 7 |
| TR-20 MAIN FRAME ASSY | FIGURE 2 8-9 |
| TR-20 RAKE BLADE ASSY | FIGURE 3 10 |
| TRC-20 CATCHER BAG ASSY | FIGURE 4 10 |
| TR-20M / TS-20M MULTIPURPOSE BLADE ASSY | FIGURE 511 |
| SLICER BLADE ASSEMBLY (OPTIONAL) | FIGURE 611 |
| TR-20R SPRING TINE RELL ASSY | FIGURE 7 12 |
| TS-20 SEED BOX ASSY..... | FIGURE 8 13 |
| CONVERTING TR-20 TO TRC-20 | FIGURE 9 14 |
| SEEDER TIRE SCRAP ASSY | FIGURE 10 15 |
| SEEDER BOX INSTALLATION | FIGURE 11 15 |
| NOTES | 16 |
| WARRANTY..... | 17 |

NOTICE !!!

Unauthorized modifications may present **extreme** safety hazards to operators and bystanders and could also result in product damage.

Schiller Grounds Care, Inc. strongly warns against, rejects and disclaims any modifications, add-on accessories or product alterations that are not designed, developed, tested and approved by Schiller Grounds Care, Inc. Engineering Department. Any Schiller Grounds Care, Inc. product that is altered, modified or changed in any manner not specifically authorized after original manufacture—including the addition of “after-market” accessories or component parts not specifically approved by Schiller Grounds Care, Inc. will result in the Schiller Grounds Care, Inc. Warranty being voided.

Any and all liability for personal injury and/or property damage caused by any unauthorized modifications, add-on accessories or products not approved by Schiller Grounds Care, Inc. will be considered the responsibility of the individual(s) or company designing and/or making such changes. Schiller Grounds Care, Inc. will vigorously pursue full indemnification and costs from any party responsible for such unauthorized post-manufacture modifications and/or accessories should personal injury and/or property damage result.

Schiller Grounds Care, Inc.

1028 Street Road
Southampton, PA 18966 U.S.A
Phone: 215-357-5110
Fax: 215-357-8045

MODEL NUMBER

SERIAL NUMBER

MODEL NUMBER: This number appears on sales literature, technical manuals and price lists.

SERIAL NUMBER: This number appears only on your machine. It contains the model number followed consecutively by the serial number. Use this number when ordering parts or seeking warranty information.



This symbol means:
ATTENTION!
BECOME ALERT!

Your safety and the safety of others is involved.

Signal word definitions:

The signal words below are used to identify levels of hazard seriousness. These words appear in this manual and on the safety labels attached to Schiller Grounds Care, Inc. machines. For your safety and the safety of others, read and follow the information given with these signal words and/or the symbol shown above.

⚠ DANGER

DANGER indicates a hazardous situation which, if not avoided, **WILL** result in death or serious injury.

⚠ WARNING

WARNING indicates a hazardous situation which, if not avoided, **COULD** result in death or serious injury.

⚠ CAUTION

CAUTION indicates a hazardous situation which, if not avoided, **COULD** result in minor or moderate injury. It may also be used to alert against unsafe practices or property damage.

⚠ CAUTION

CAUTION used without the safety alert symbol indicates a potentially hazardous situation which, if not avoided, **MAY** result in property damage.

MAINTENANCE SAFETY

In general

- Maintain machine according to manufacturer's schedule and instructions for maximum safety and best results.
- Park machine on level ground.
- Never allow untrained personnel to service machine.
- Guards should only be removed by qualified maintenance technician for maintenance/service. Replace when work is complete.
- Adjust or repair only after the engine has been stopped and the blade has stopped moving.
- Disconnect spark plug wire(s) before doing any maintenance.
- Replace parts if worn, damaged or faulty. For best results, always replace with parts recommended by the manufacturer.
- Do not dismantle the machine without releasing or restraining forces which may cause parts to move suddenly.
- Provide adequate support, e.g. jack stands for lifted machine or parts if working beneath.
- Do not put hands or feet near or under rotating parts.
- Clean up spilled oil or fuel thoroughly.
- Replace faulty mufflers.
- To reduce fire hazards, keep the engine, muffler, and fuel storage area free of grass, leaves, debris buildup or grease.

Blades

The blades are sharp and can cut. Use extra caution when handling. Remove obstructions with care. Wrap the blade or wear gloves.

- Only replace blade. Never straighten or weld.
- Keep other persons away from blades.



Fuel

- Petrol (gasoline) and diesel fuels are flammable; petrol (gasoline) vapors are explosive. Use extra care when handling.
- Store only in containers specifically designed for fuel.



- When refueling or checking fuel level:
 - Stop the engine and allow to cool;
 - Do not smoke;
 - Refuel outdoors only;
 - Use a funnel;
 - Do not overfill;
 - If fuel is spilled, do not attempt to start the engine until the spill is cleaned up and vapors have cleared.
 - Replace caps on fuel containers and tanks securely.

Sparks from static electricity can start fires or cause explosions. Flowing fuel can generate static electricity. To prevent static electricity sparks:

- Keep fuel containers electrically grounded. Do not fill containers in a vehicle or on a truck or trailer bed with a plastic liner. Fill containers on the ground away from the vehicle.
- When practical, remove petrol (gas) powered equipment from the truck or trailer and refuel it on the ground. If equipment must be refueled on the truck or trailer, refuel from a portable container rather than a dispenser nozzle.
- Keep the dispenser nozzle in contact with the rim of the fuel tank or container opening until fueling is complete. Do not use a nozzle lock-open device.

Storage Safety

- Stop the engine and allow to cool before storing.
- Drain the fuel tank outdoors only.
- Store fuel in an approved container in a cool, dry place.
- Keep the machine and fuel containers in a locked storage place to prevent tampering and to keep children from playing with them.
- Do not store the machine or fuel container near heating appliances with an open flame, such as a water heater, or an appliance with a pilot light.
- Keep gasoline (petrol) storage area free of grass, leaves and excessive grease to reduce fire hazard.
- Clean grass and debris from cutting units, drives, mufflers and engine to help prevent fires.

Storage Instructions

WARNING

To prevent possible explosion or ignition of vaporized fuel, do not store equipment with fuel in tank or carburetor in enclosure with open flame (for example, a furnace or water heater pilot light).

Daily Storage

1. Check engine oil level and air filter element daily.
2. Check oil level in gear case.
3. Close fuel valve at bottom of fuel tank.
4. Clean cutting blade (grass, dirt, etc.).

Extended Storage

Before the equipment is put into storage for any period exceeding 30 days:

1. Drain all fuel from fuel tank and lines (use a hose or fuel line, routed from fuel tank shut-off to proper container).
2. Start engine and run until all fuel is used from the carburetor float bowl.
3. While engine is warm, check the transmission oil and refill with the proper weight of oil corresponding to the season when the equipment will next be used.
4. Remove the spark plug and squirt a small quantity of engine oil into the cylinder. Turn the engine over a few times to distribute the oil.
5. Lubricate all lubrication fittings.
6. Clean and oil cutting blade to prevent rust.

To put equipment into operation after an extended storage:

1. Check for loose parts and tighten.
2. Check for cracked, broken or bent blades and replace.
3. Check that all safety decals are in place and legible.
 1. Fill fuel tank with clean fresh fuel.
 2. Check crankcase oil level, and start engine.
 3. Check fuel system for fuel leaks.

WARNING

When replacement parts are required, use genuine **Schiller Grounds Care, Inc.** parts or parts with equivalent characteristics, including type, strength and material. Failure to do so may result in product malfunction and possible injury to the operator and/or bystanders. Carbon monoxide present in the exhaust is an odorless and deadly gas. Never start or run the engine inside where exhaust fumes can collect. Provide enough fresh air to keep fumes from getting too strong. Replace any warning decal that becomes illegible immediately.

PARTS MANUAL

TR-20H / TR-20B TURF RAKE

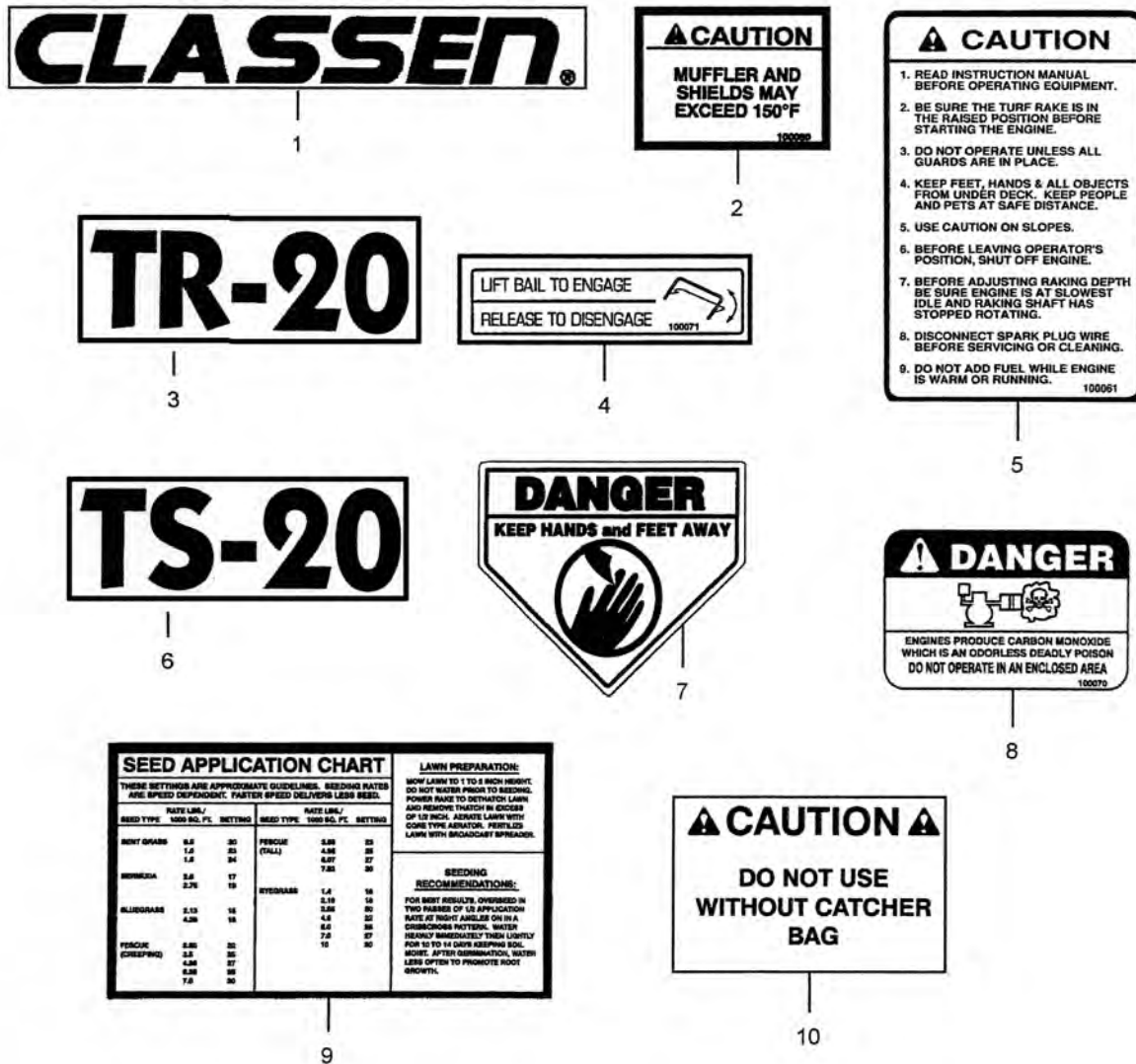
**TR-20MH / TR-20MB TURF RAKE w/
MULTI-PURPOSE BLADE**

TRC-20H / TRC-20B TURF RAKE w/ CATCHER

TS-20H / TS-20B TURF SEEDER

TR-20RH / TR-20RB TURF RAKE W/ SPRING TINE REEL

This manual covers units produced after 02/01/2012 to present.

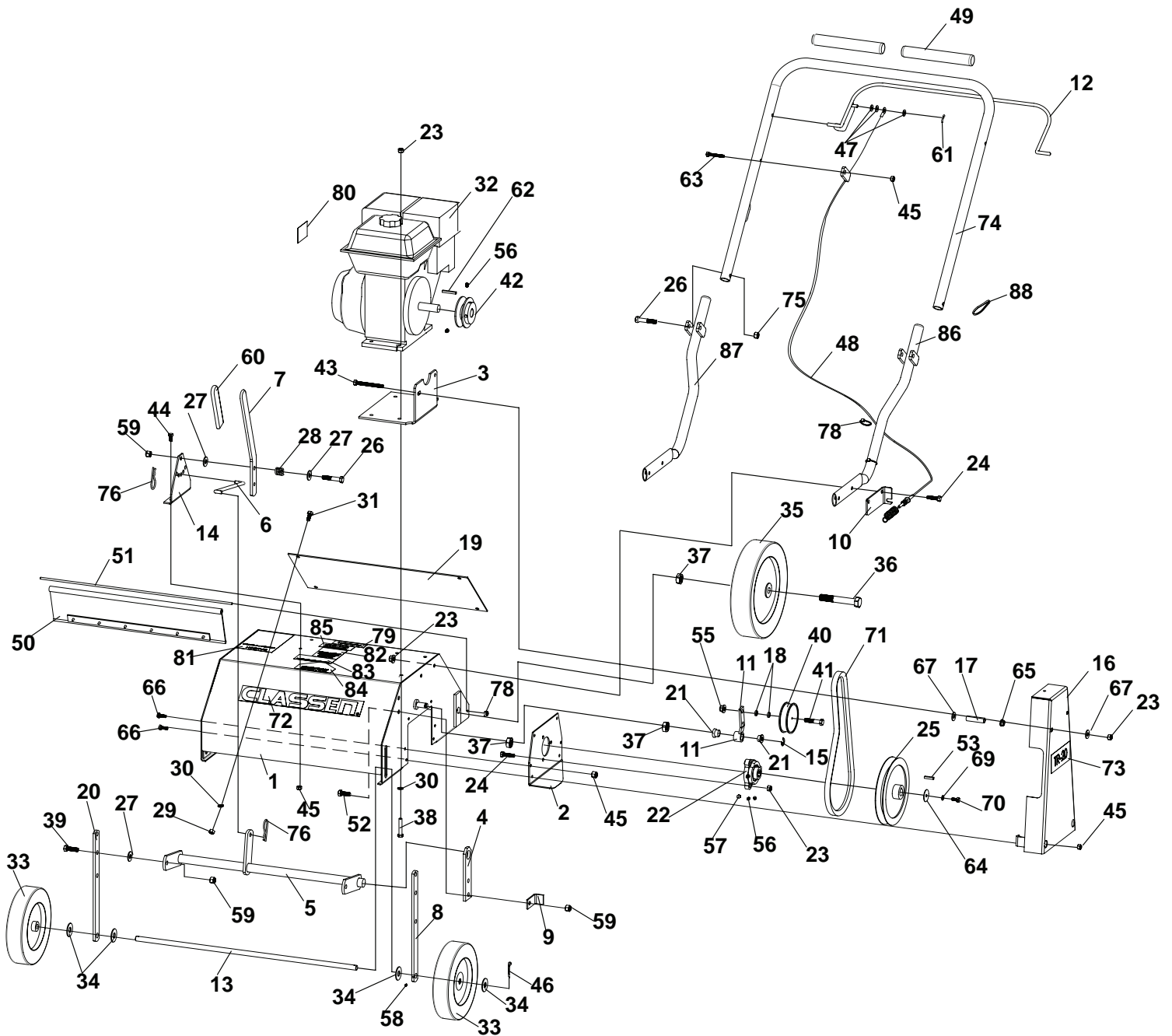


| SEED APPLICATION CHART | | | LAWN PREPARATION: | | |
|--|------|---|-------------------|------|----|
| THESE SETTINGS ARE APPROXIMATE GUIDELINES. SEEDING RATES ARE SPEED DEPENDANT. FASTER SPEED DELIVERS LESS SEED. | | | | | |
| RATE LBS./ SEED TYPE 1000 SQ. FT. SETTING | | RATE LBS./ SEED TYPE 1000 SQ. FT. SETTING | | | |
| ROYAL OAKS | 0.6 | 30 | PERCUE | 0.88 | 30 |
| | 1.2 | 35 | (TALL) | 4.98 | 35 |
| | 1.8 | 34 | | 4.97 | 37 |
| | | | | 7.83 | 30 |
| BRUNNEN | 0.6 | 17 | | | |
| | 2.78 | 19 | | | |
| BLISSDALE | 0.13 | 16 | | | |
| | 4.28 | 16 | | | |
| PERCUE (CHESPING) | 0.88 | 30 | | | |
| | 0.5 | 30 | | | |
| | 4.28 | 37 | | | |
| | 0.88 | 30 | | | |
| | 7.8 | 30 | | | |

| ITEM | PART NO. | DESCRIPTION | QTY |
|------|----------|--|-----|
| 1 | C100074 | DECAL, "CLASSEN" | 2 |
| 2 | C100060 | DECAL, "CAUTION - MUFFLER AND SHIELDS" | 1 |
| 3 | C100075 | DECAL, "TR-20" (TURF RAKE ONLY) | 1 |
| 4 | C100071 | DECAL, "BAIL ENGAGEMENT" | 1 |
| 5 | C100061 | DECAL, CAUTION - OPERATING INST. | 1 |
| 6 | C100077 | DECAL, "TS-20" (TURF SEEDER ONLY) | 1 |
| 7 | C100069 | DECAL, "DANGER, HANDS AND FEET AWAY" | 1 |
| 8 | C100070 | DECAL, "DANGER - CARBON MONOXIDE" | 1 |
| 9 | C100138 | DECAL, "SEED APPLICATION CHART" (TURF SEEDER ONLY) | 1 |
| 10 | C100228 | DECAL, "CAUTION - CATCHER BAG" (TURF RAKE ONLY) | 1 |

TR-20 MAIN FRAME ASSEMBLY

FIGURE 2



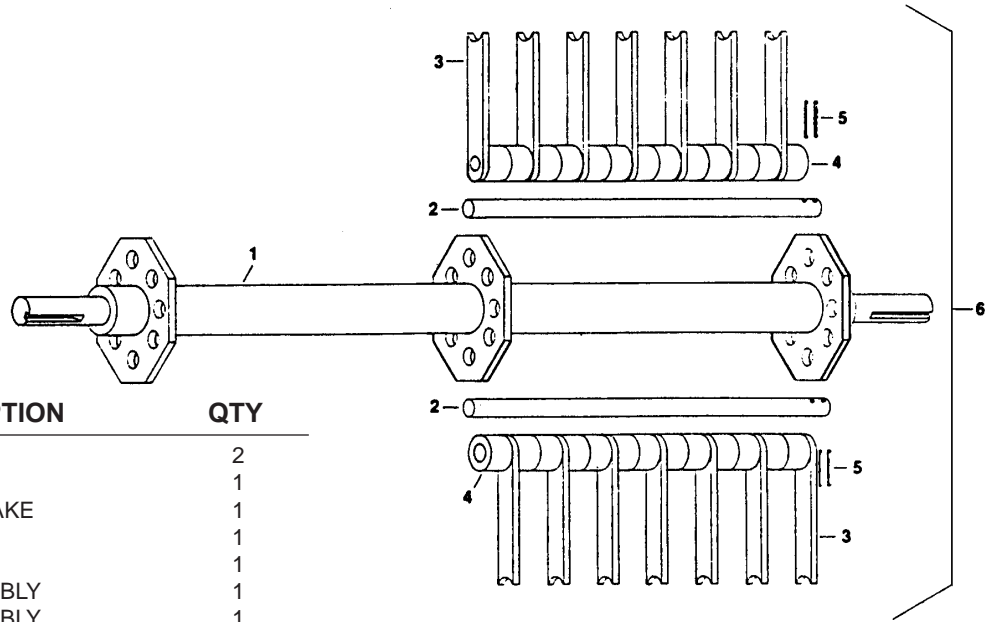
TR-20 MAIN FRAME ASSEMBLY

FIGURE 2

| ITEM | PART NO. | DESCRIPTION | QTY | ITEM | PART NO. | DESCRIPTION | QTY |
|------|----------|------------------------------------|-----|------|----------|--------------------------------|-----|
| 1 | C400179 | WELDMENT - RAKE BODY | 1 | 46 | C500062 | PIN, 1/8 X 1-1/4 COTTER | 2 |
| 2 | C300013 | PLATE, END | 2 | 47 | C500088 | WASHER, 1/4 FLAT | 3 |
| 3 | C300012 | PAD, ENGINE | 1 | 48 | C100053 | CABLE ASSEMBLY | 1 |
| 4 | C300018 | MOUNT, HEIGHT ADJUSTMENT | 2 | 49 | C100261 | GRIP, 1 X 7-3/4 HANDLE | 2 |
| 5 | C400033 | CRANK ASSEMBLY | 1 | 50 | C300015 | DRAG SHIELD ASSEMBLY | 1 |
| 6 | C300026 | ROD, HEIGHT ADJUSTMENT | 1 | 51 | C300028 | ROD, 10-24 ALL THREAD | 1 |
| 7 | C300142 | HEIGHT ADJ. LEVER | 1 | 52 | C500043 | 3/8" X 1" BOLT | 4 |
| 8 | C300035 | SUPPORT, R.H. SEED BOX | 1 | 53 | C500011 | KEY, 3/16 SQUARE X 1 | 1 |
| 9 | C300036 | STOP, ENGAGEMENT ARM | 1 | 54 | C500240 | KEY, 3/16 X 1-1/2 | 1 |
| 10 | C300024 | BRACKET, CLUTCH CABLE | 1 | 55 | C500081 | NUT, 3/8-16 WHIZ LOCK | 1 |
| 11 | C400035 | ARM STEEL BUSHING, ENGAGEMENT | 1 | 56 | C500063 | SET SCREW, 1/4-28 X 1/4 | 4 |
| 12 | C400034 | BAIL | 1 | 57 | C500001 | GREASE FITTING, 1/4-28 | 2 |
| 13 | C300027 | AXLE, FRONT | 1 | 58 | C500066 | SET SCREW, 10-32 X 1/4 | 1 |
| 14 | C300017 | PLATE, HEIGHT ADJUSTMENT | 1 | 59 | C500076 | NUT, 3/8-16 NYLOC | 7 |
| 15 | C500078 | E-RING | 1 | 60 | C100007 | GRIP, RUBBER | 1 |
| 16 | C400032 | GUARD, BELT | 1 | 61 | C500087 | PIN, 3/32 X 1/2 COTTER | 1 |
| 17 | C300029 | SPACER, 5/16 X 2 | 2 | 62 | C500064 | SET SCREW, 5/16-18 X 3/8 | 2 |
| 18 | C300030 | BUSHING, STRUT | 2 | 63 | C500118 | BOLT, 1/4-20 X 1-3/4 | 1 |
| 19 | C300072 | PLATE, FRAME | 1 | 64 | C300025 | WASHER, PLATED PULLEY RETAINER | 1 |
| 20 | C300034 | SUPPORT, L.H. SEED BOX | 1 | 65 | C500085 | NUT, 5/16-18 WHIZ LOCK | 2 |
| 21 | C100052 | BEARING, CONTROL | 2 | 66 | C500029 | BOLT, 1/4-20 X 3/4 | 2 |
| 22 | C100050 | BEARING, FLANGE | 2 | 67 | C500083 | 5/16" WASHER PLAIN | 2 |
| 23 | C500072 | NUT, 5/16-18 NYLOC | 16 | 68 | C100067 | GUARD, SHAFT | 1 |
| 24 | C500073 | BOLT, 5/16-18 X 1-1/4 | 10 | 69 | C500070 | WASHER, 1/4 HEAVY SPRING LOCK | 1 |
| 25 | C100058 | PULLEY, DRIVE | 1 | 70 | C500071 | BOLT, 1/4-28 X 5/8 | 1 |
| 26 | C500091 | BOLT, 3/8-16 X 2.00 | 3 | 71 | C100065 | BELT, RAKE | 1 |
| 27 | C500042 | 3/8" WASHER PLAIN | 4 | 72 | C100074 | DECAL, "CLASSEN" | 2 |
| 28 | C500065 | SPRING, COMPRESSION | 1 | 73 | C100075 | DECAL, TR-20 | 1 |
| 29 | C500101 | NUT, 5/16-18 | 4 | 74 | C300143 | MAIN HANDLE | 1 |
| 30 | C500115 | WASHER, 5/16 LOCK | 8 | 75 | C500041 | NUT, 3/8-16 LOCK | 2 |
| 31 | C500140 | BOLT, 5/16-18 X 3/4 | 4 | 76 | C500092 | PIN, HAIR PIN COTTER | 2 |
| 32 | C100137 | 5.5 HP HONDA ENGINE | 1 | 77 | C500082 | NUT, 10-24 NYLOC | 2 |
| 33 | C100064 | WHEEL AND TIRE ASSEMBLY, 8" FRONT | 2 | 78 | C100020 | TIE, PLASTIC | 2 |
| 34 | C500034 | 1/2" ZINC PLATED WASHER | 4 | 79 | C100071 | DECAL, BAIL ENGAGEMENT | 1 |
| 35 | C100063 | WHEEL AND TIRE ASSEMBLY, 10" REAR | 2 | 80 | C100070 | DECAL, CARBON MONOXIDE | 1 |
| 36 | C500080 | BOLT, 5/8-18 X 4 | 2 | 81 | C100061 | DECAL, TURF RAKE OPERATING | 1 |
| 37 | C500077 | .625-18 JAM NUT | 4 | 82 | C100504 | SPARK ARRESTOR DECAL | 1 |
| 38 | C500074 | BOLT, 5/16-18 X 1-3/4 | 4 | 83 | C100505 | CARB APPROVAL DECAL | 1 |
| 39 | C500134 | 3/8" X 1.25" BOLT | 2 | 84 | C100069 | DECAL, "DANGER" | 1 |
| 40 | C100072 | IDLER W/ FLANGES, FLAT | 1 | 85 | C100055 | DECAL, CLASSEN SERIAL NUMBER | 1 |
| 41 | C500079 | BOLT, 3/8-16 X 1-3/4 | 1 | 86 | C300144 | LOWER HANDLE ASM LH | 1 |
| 42 | C100038 | SHEAVE W/OUT KEY, 3.15 X .750 BORE | 1 | 87 | C300145 | LOWER HANDLE ASM RH | 1 |
| 43 | C500086 | BOLT, 5/16-18 X 3 TAP | 2 | 88 | C100251 | LOCK RING, HANDLE | 2 |
| 44 | C500069 | BOLT, 1/4-20 X 5/8 | 10 | | | | |
| 45 | C500068 | NUT, 1/4-20 NYLOC | 13 | | | | |

TR-20 RAKE BLADE ASSEMBLY

FIGURE 3



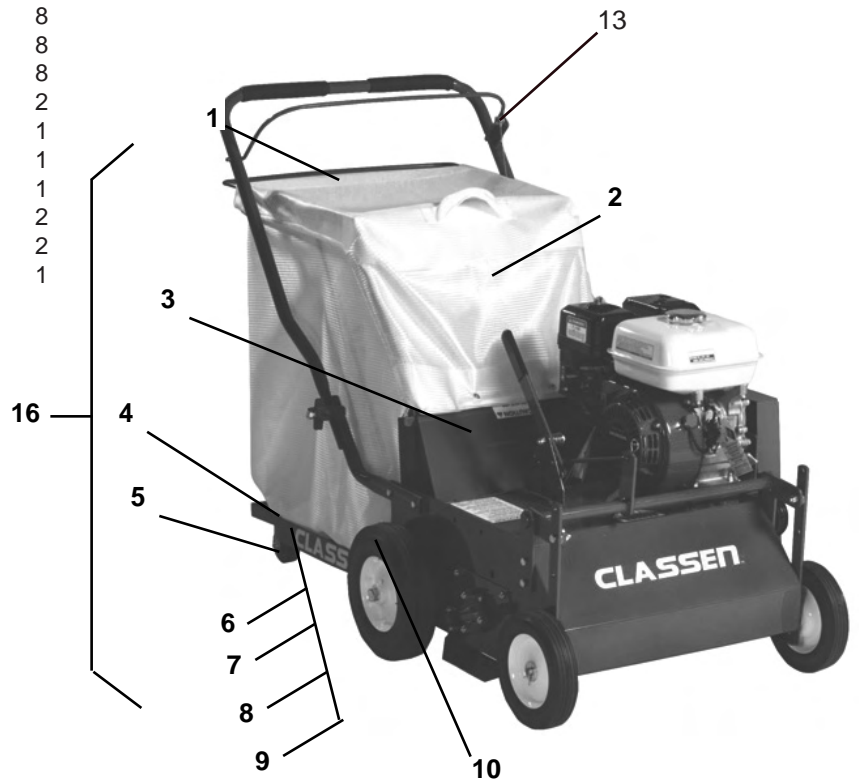
| ITEM | PART NO. | DESCRIPTION | QTY |
|------|----------|----------------------|-----|
| 1 | C700008 | SHAFT, RAKE MAIN | 2 |
| 2 | C300014 | SHAFT, SATELLITE | 1 |
| 3 | C300019 | BLADE (FINGER), RAKE | 1 |
| 4 | C100056 | SPACER, FINGER | 1 |
| 5 | C500067 | ROLL PIN, 1/8 X 7/8 | 1 |
| 6 | C600014 | MAIN SHAFT ASSEMBLY | 1 |
| 7 | C900003 | MAIN SHAFT ASSEMBLY | 1 |

INCLUDES: END PLATES, BEARINGS, PULLEY, KEY & FASTENERS (NOT SHOWN)

TRC-20 CATCHER BAG ASSEMBLY

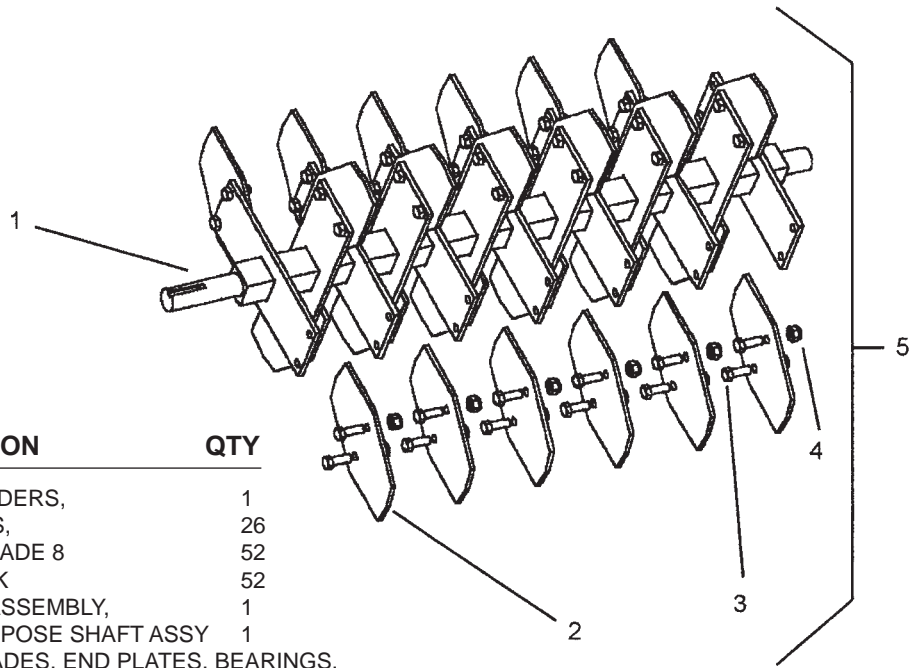
FIGURE 4

| ITEM | PART NO. | DESCRIPTION | QTY |
|------|----------|--------------------------------|-----|
| 1 | C400119 | FRAME, CATCHER BAG | 1 |
| 2 | C100226 | CATCHER BAG | 1 |
| 3 | C400181 | CHUTE, STEEL | 1 |
| 4 | C400121 | TRAY, BAG | 1 |
| 5 | C100227 | WHEEL, BAG TRAY | 2 |
| 6 | C500069 | BOLT, 1/4-20 X 5/8 | 8 |
| 7 | C500088 | WASHER, 1/4 FLAT | 8 |
| 8 | C500137 | WASHER, 1/4 LOCK | 8 |
| 9 | C500136 | NUT, 1/4-20 | 8 |
| 10 | C100074 | DECAL, "CLASSEN" | 2 |
| 11 | C100228 | DECAL, "CAUTION" (NOT SHOWN) | 1 |
| 12 | C400122 | PIN & CLIP (NOT SHOWN) | 1 |
| 13 | C100225 | CABLE ASSEMBLY, TRC CLUTCH | 1 |
| 14 | C500073 | BOLT, 5/16 X 1-1/4 (NOT SHOWN) | 2 |
| 15 | C500072 | NUT, 5/16 NYLOC (NOT SHOWN) | 2 |
| 16 | C900022 | CATCHER BAG ASSEMBLY | 1 |



TR-20M / TS-20M MULTIPURPOSE BLADE ASSEMBLY

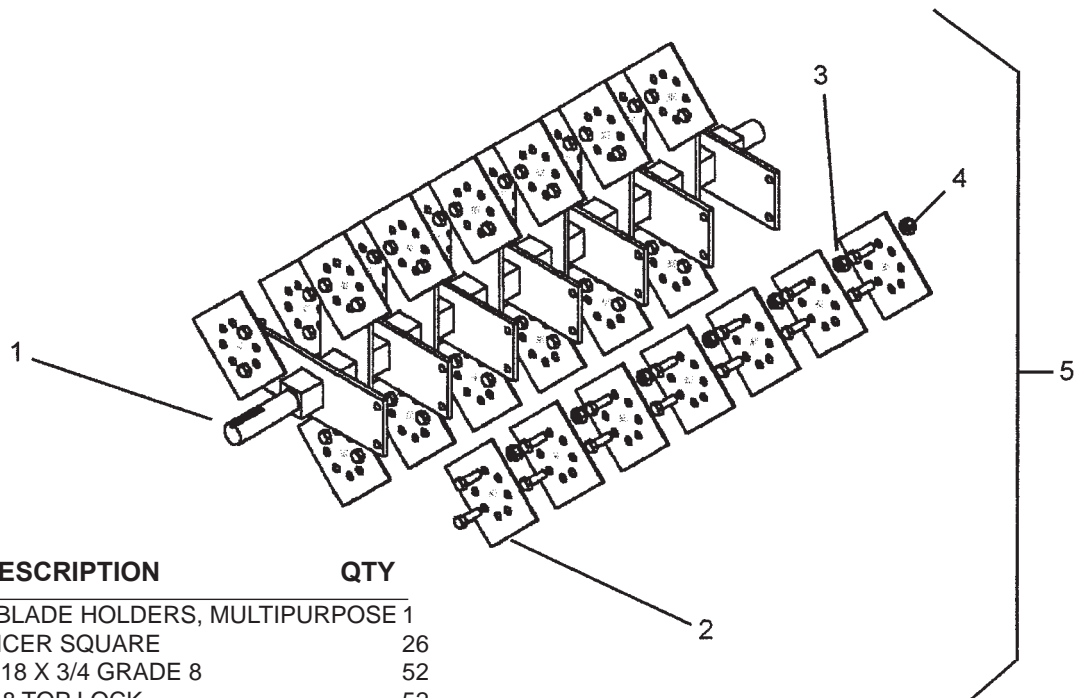
FIGURE 5



| ITEM | PART NO. | DESCRIPTION | QTY |
|------|----------|--|-----|
| 1 | C700025 | SHAFT W/ BLADE HOLDERS, | 1 |
| 2 | C100310 | BLADE W/ 5/16" HOLES, | 26 |
| 3 | C500216 | BOLT, 5/16-18 X 3/4 GRADE 8 | 52 |
| 4 | C500217 | NUT, 5/16-18 TOP LOCK | 52 |
| 5 | C600030 | SHAFT/BLADES SUB-ASSEMBLY, | 1 |
| 6 | C900026 | COMPLETE MULTIPURPOSE SHAFT ASSY INCLUDES:SHAFT, BLADES, END PLATES, BEARINGS, PULLEY, KEY & FASTENERS (NOT SHOWN) | 1 |

SLICER BLADE ASSEMBLY (OPTIONAL)

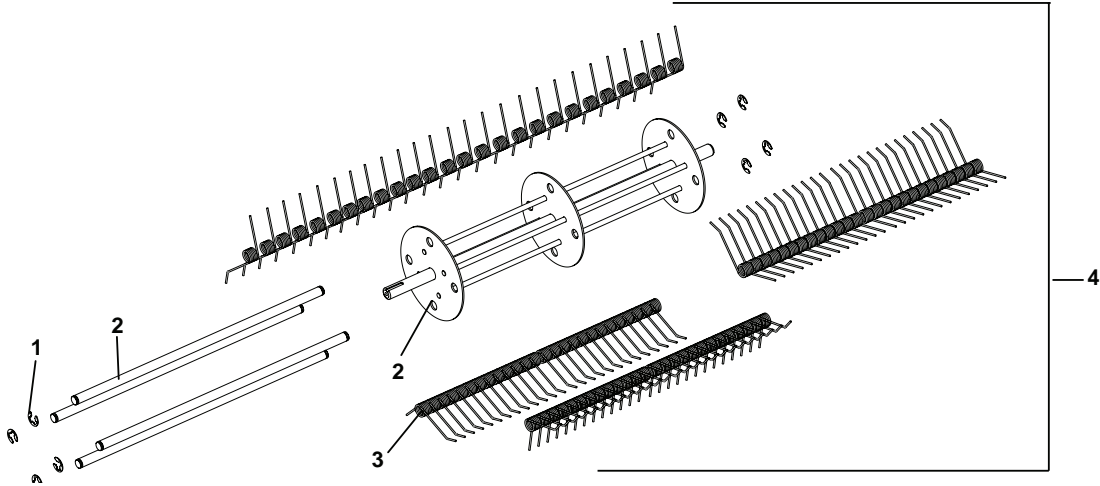
FIGURE 6



| ITEM | PART NO. | DESCRIPTION | QTY |
|------|----------|---|-----|
| 1 | C700025 | SHAFT W/ BLADE HOLDERS, MULTIPURPOSE | 1 |
| 2 | C100427 | BLADE, SLICER SQUARE | 26 |
| 3 | C500216 | BOLT, 5/16-18 X 3/4 GRADE 8 | 52 |
| 4 | C500217 | NUT, 5/16-18 TOP LOCK | 52 |
| 5 | C600040 | SHAFT/BLADES SUB-ASSEMBLY | 1 |
| 6 | C900027 | COMPLETE MULTIPURPOSE SHAFT ASSY INCLUDES SHAFT, BLADES, END PLATES, BEARINGS, PULLEY, KEY & FASTENERS (NOT SHOWN) | 1 |

TR-20R SPRING TINE REEL ASSEMBLY

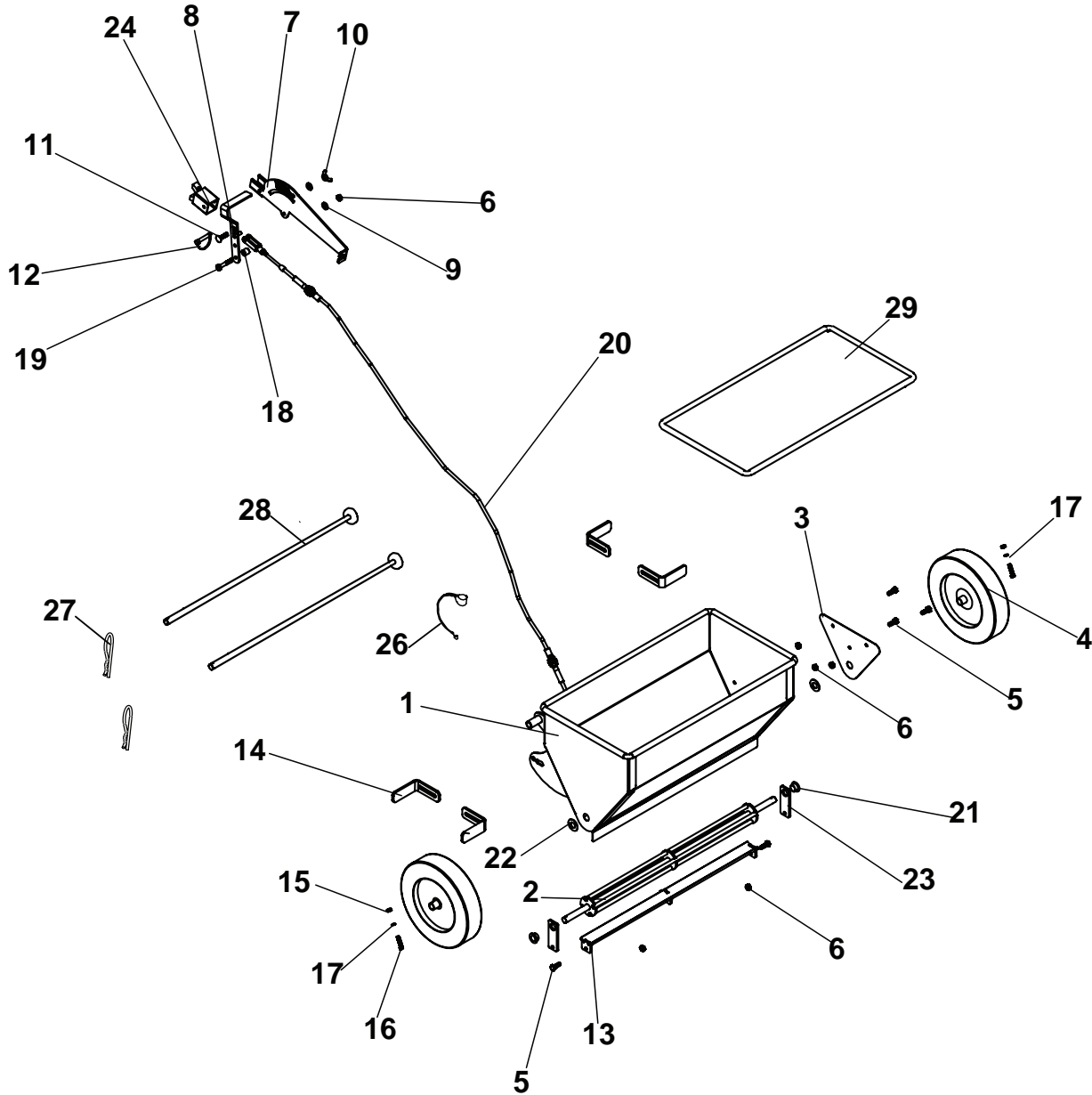
FIGURE 7



| ITEM | PART NO. | DESCRIPTION | QTY |
|------------------------------------|----------|------------------------------------|-----|
| 1 | C100620 | E-CLIP | 8 |
| 2 | C700033 | SPRING MOUNTING RODS & REEL WLDMNT | 1 |
| 3 | C100623 | SPRING | 104 |
| 4 | C600064 | SPRING TINE REEL ASSY | 1 |
| 5 | C900045 | COMPLETE SPRING TINE REEL ASSY | |
| INCLUDES ALL ITEMS IN ITEM 4 PLUS: | | | |
| | C300013 | END PLATES | 2 |
| | C100050 | BEARINGS | 2 |
| | C100058 | PULLEY | 1 |
| | C500011 | KEY ,3/16 SQUARE X 1 MACHINE | 1 |
| | C500071 | BOLT 1/4-28 X 5/8 | 1 |
| | C500064 | SET SCREW, 5/16-18 X 3/8 | 2 |
| | C500063 | SET SCREW, 1/4-28 X 1/4 | 2 |
| | C500001 | GREASE FITTING 1/4-28 | 2 |
| | C300025 | WASHER, PULLEY RETAINER | 1 |
| | C500072 | NUT, 5/16-18 NYLOC | 3 |
| | C500073 | BOLT, 5/16-18 X 1 1/4 | 3 |
| | C500137 | WASHER, 1/4 LOCK | 1 |

TS-20 SEED BOX ASSEMBLY

FIGURE 8

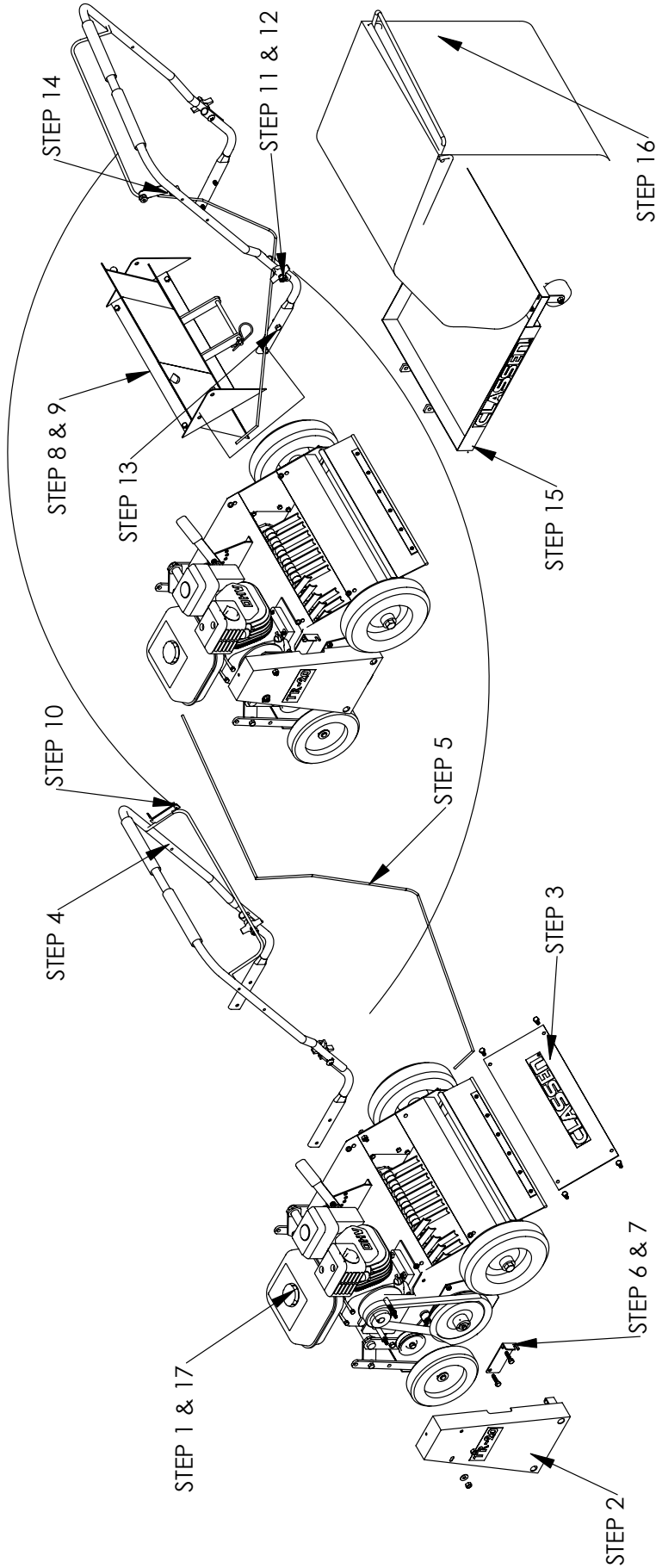


| ITEM | PART NO. | DESCRIPTION | QTY | ITEM | PART NO. | DESCRIPTION | QTY |
|------|----------|------------------------------|-----|------|----------|--|-----|
| 1 | C400399 | HOPPER WELDMENT | 1 | 18 | C400402 | FLOW CONTROL HANDLE SPACER | 1 |
| 2 | C400400 | SPREADER DRUM WELDMENT | 1 | 19 | C500089 | BOLT, 1/4-20 X 1-1/2 | 1 |
| 3 | C400404 | MAIN BODY LH CLOSURE PLATE | 1 | 20 | C100624 | SEEDER BOX ASSEMBLY | 1 |
| 4 | C100355 | WHEEL, 8" SEED BOX DRIVE | 2 | 21 | C100052 | BEARING, CONTROL | 2 |
| 5 | C500029 | BOLT, 1/4-20 X 3/4 | 5 | 22 | C500034 | WASHER, 1/2 FLAT | 2 |
| 6 | C500136 | NUT, 1/4-20 | 6 | 23 | C400408 | SEED GATE FLAT | 2 |
| 7 | C400401 | FLOW CONTROL | 1 | 24 | C400405 | FLOW CONTROL BRACKET | 1 |
| 8 | C400406 | FLOW CONTROL HANDLE WELDMENT | 1 | 25 | C100074 | DECAL, CLASSEN (NOT SHOWN) | 1 |
| 9 | C500088 | WASHER, 1/4 FLAT | 2 | 26 | C100308 | LANYARD, NYLON | 1 |
| 10 | C500119 | NUT, 1/4-20 WING | 1 | 27 | C500096 | HAIRPIN, 5/32" X 3" | 2 |
| 11 | C500117 | BOLT, 1/4-20 X 1 CARRIAGE | 1 | 28 | C400040 | ROD, CONNECTING | 2 |
| 12 | C500201 | PIN, 1/3 X 1-3/4 CLEVIS | 1 | 29 | C100078 | COVER, VINYL SEED BOX | 1 |
| 13 | C400407 | SEED GATE WELDMENT | 1 | 30 | C900055 | COMPLETE SEEDER BOX ASSEMBLY (INCLUDES ITEMS 1-28) | 1 |
| 14 | C300128 | WHEEL SCRAPES | 4 | | | | |
| 15 | C100145 | NUT, #10-24 HEX | 2 | | | | |
| 16 | C500262 | BOLT, 3/16 X 3/4 | 2 | | | | |
| 17 | C500263 | WASHER, #10-24 LOCK | 2 | | | | |

CONVERTING TR-20 TO A TRC-20

FIGURE 9

CONVERTING A TR-20 TO A TRC-20

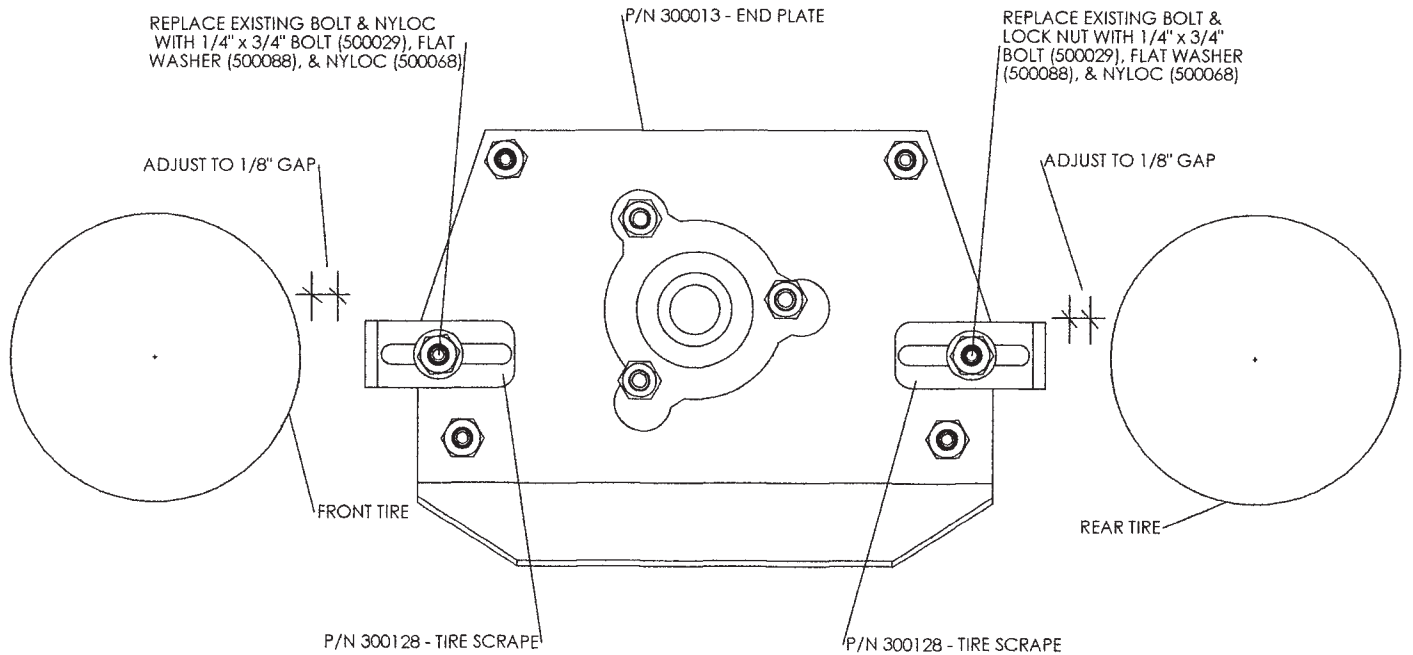


*NOTE: Standing in the operation mode determines what is left or right.

| KEY | INSTRUCTION |
|---------|---|
| STEP 1 | Make sure the Engine is turned off, and the Spark Plug is un-attached. |
| STEP 2 | Remove Guard (400032). |
| STEP 3 | Remove Frame Plate (300072) from TR-20. |
| STEP 4 | Remove Main Handle (300023) and Lower Handle (300022). |
| STEP 5 | Remove Clutch Cable Assembly (100053) from Main Handle. |
| STEP 6 | Remove Clutch Cable Bracket (300024) from Lower Handle. |
| STEP 7 | Bolt Clutch Cable Bracket to unit, where it was minus the Main Handle. |
| STEP 8 | Insert the Steel Chute (400120) in the space where the Frame Plate was. Note the direction the Chute is facing. |
| STEP 9 | Bolt down the Steel Chute with the bolts and nuts used on the Frame Plate. |
| STEP 10 | Turn the Main Handle around, so the Bail (400034) is on the opposite side that it was on. You will have to pull it back towards yourself. |
| STEP 11 | Take the carriage bolts off the Lower Handle. Drill a 1/2" hole out on the inside of the Lower Handle, and reverse carriage bolts to point out. |
| STEP 12 | Hook up the Lower Handle to the Main Handle. The bolts should be facing out. Put on the Four Prong Knobs (100059), so they are on the outside of the lower Handle. (This way the bag does not rub on the prongs.) |
| STEP 13 | Bolt down the Main Handle to the Steel Chute with the bolts and nuts used when bolted to the Main Frame. |
| STEP 14 | Hook up new Clutch Cable Assembly (100225) (*Now on the left side of the Handle), to the Main Handle, Clutch Cable Bracket, and to Engagement Arm (400035). |
| STEP 15 | Hook up Bag Tray (400121) with Pin and Clip (400122) to Main Frame. |
| STEP 16 | Put Catcher Bag (100226) on Machine. |
| STEP 17 | Re-attach Spark Plug. |

SEEDER TIRE SCRAP ASSEMBLY

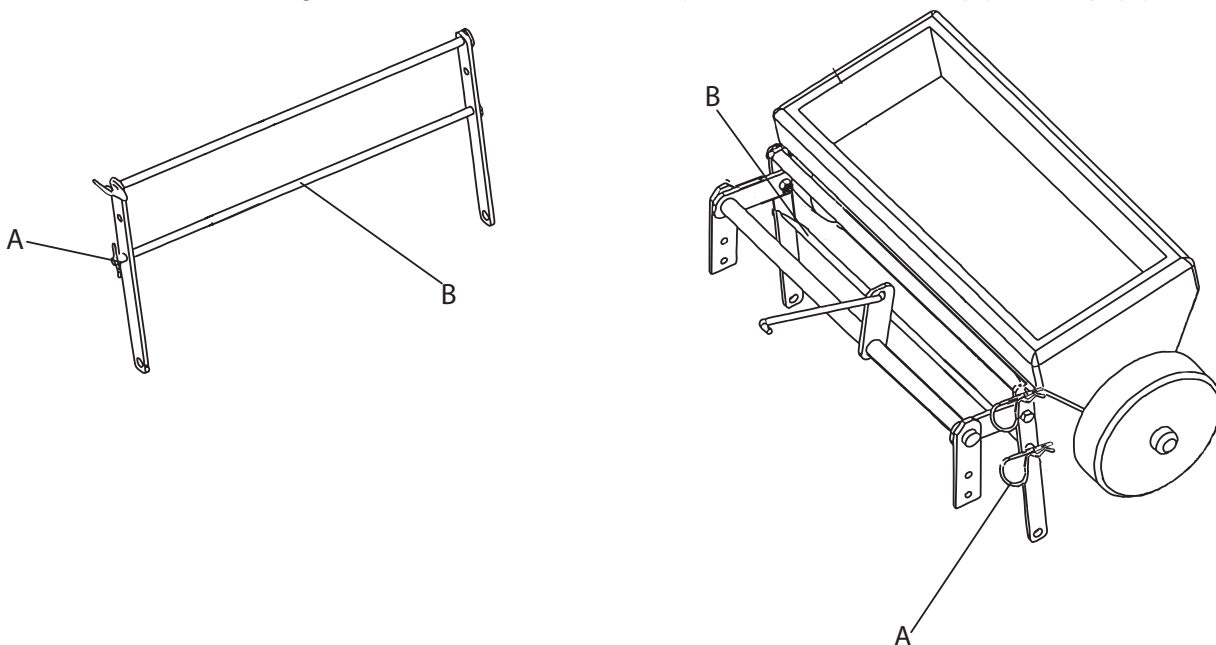
FIGURE 10



SEED BOX INSTALLATION

FIGURE 11

For shipping purposes only, the seed box assembly is attached to machine improperly. To set your machine up correctly to operate the seed box, Remove hairpin clip (A) from lower connecting rod (B). Slide lower rod out of stabilizing bracket on seed box. (When mounted properly, the wheels of seed box should be resting on front wheels of machine.) Reinsert lower rod (B) and clip (A).



CLASSEN[®]

Schiller Grounds Care, Inc.

1028 Street Road • Southampton, PA 18966

Telephone: 1-800-366-6268

TWO YEAR LIMITED WARRANTY

Effective April 1, 2007

For the period of two years from the date of purchase, Schiller Grounds Care, Inc. will repair or replace for the original purchaser free of charge, any part or parts found upon the examination of our factory authorized service station, or by the factory in Norfolk, Nebraska, to be defective in material or workmanship. All transportation charges on parts submitted for repair or replacement under this warranty shall be borne by the purchaser.

This warranty does not include engines or engine parts, tires, batteries, or gearboxes that are covered under separate warranties furnished by their manufacturer or supplier, nor does it include normal maintenance parts, including but not limited to, spark plugs, points, filters, blades, and lubricants.

All service under this warranty will be furnished or performed by our factory authorized service stations.

There is no other expressed warranty. Implied warranties, including those of merchantability and fitness for a particular purpose, are limited to two years from the date of purchase and to the extent permitted by law, any and all implied warranties are excluded. The above remedy of repair and replacement of defective parts is the purchaser's exclusive remedy for any defect, malfunction or breach of warranty. Liability for incidental or consequential damages under any and all warranties is excluded to the extent permitted by law.

NORMAL RESPONSIBILITIES OF THE SELLER AND THE USER

1. The Distributor or Dealer is responsible for the proper assembly and preparation of the product for delivery to the end user.
2. The User is responsible for reading the Manual and Instructions.
3. The User is responsible for proper operation and maintenance as described in the manual.
4. The User is responsible for the replacement of wear items such as blades, belts, tires, batteries, etc.
5. The User is responsible for damage due to improper operation and maintenance, as well as abuse.

All claims must be received by the factory 30 days after the end of the warranty period to receive warranty consideration.

See the complete line of Turf Care Products from

CLASSEN[®]

COMPACT AERATORS

**CA-18H
CA-18B**

STAND ON AERATOR

SA-25

SPLIT DRIVE AERATORS

**TA-25D
TA-17D**

TURF AERATORS

**TA-19D
TA-19B
TA-26D**

TURF SEEDERS

**TS-20H
TS-20B
TSS-20H
TSS-20B**

TURF RAKES

**TR-20H
TR-20B
TR-20MB
TR-20MH
TRC-20H
TRC-20B
TRS-20H
TRS-20B
TR-20RH
TR-20RB**

SOD CUTTERS

**SC-12/5.5
SC-12/8.0
SC-18/5.5
SC-18/8.0
SC-20/8.0
SC-24/8.0**

HYDRO-DRIVE SOD CUTTERS

**SCHV-12/5.5
SCHV-18/5.5
SCHV-18/8.0
SCHV-20/8.0
SCHV-24/8.0**

3 PT AERATORS

**48R
60R
72R
84R**

TOW/3PT AERATORS

**48RT
60RT
72RT**

ELECTRIC LIFT AERATORS

**48RTE
60RTE**

TRAILERS

**AST
SAT**

Classen reserves the right to make changes or add improvements to its products at any time without incurring any obligation to make such changes to products manufactured previously. Classen, or its distributors and dealers, accept no responsibility for variations which may be evident in the actual specifications of its products and the statements and descriptions contained in this publication.